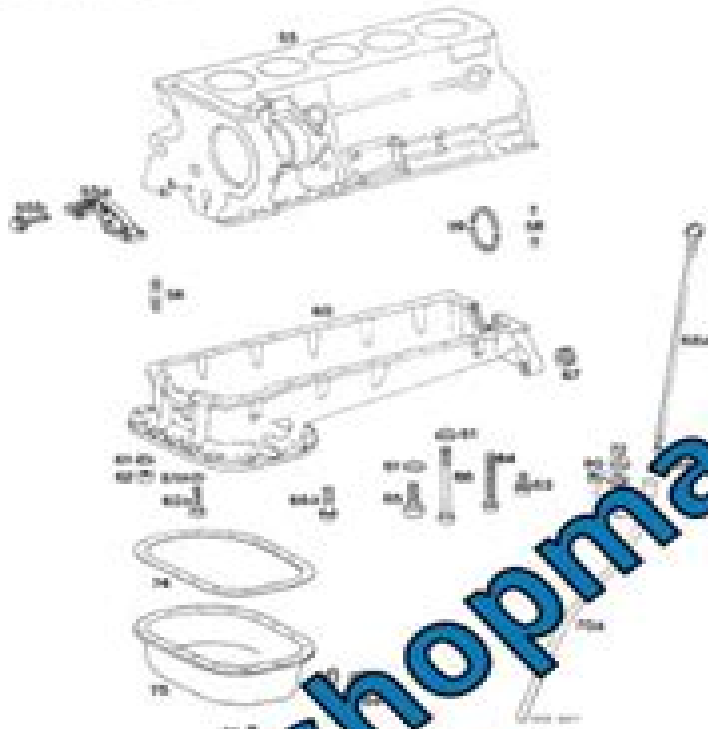


Mercedes W123 1976-1986 Workshop Manual

Cylinder crankcase and oil pan



- | | | | |
|----|----------------------|----|--------------------------|
| 1 | Cylinder crankcase | 4 | Combustion gasket M 6x20 |
| 2 | Oil pan | 5 | Sealing ring M 12x20 |
| 3 | Sealing ring M 12x20 | 6 | Sealing ring M 12x20 |
| 4 | Sealing ring M 12x20 | 7 | Sealing ring M 12x20 |
| 5 | Sealing ring M 12x20 | 8 | Sealing ring M 12x20 |
| 6 | Sealing ring M 12x20 | 9 | Sealing ring M 12x20 |
| 7 | Sealing ring M 12x20 | 10 | Sealing ring M 12x20 |
| 8 | Sealing ring M 12x20 | 11 | Sealing ring M 12x20 |
| 9 | Sealing ring M 12x20 | | |
| 10 | Sealing ring M 12x20 | | |
| 11 | Sealing ring M 12x20 | | |

18 Remove exhaust turbocharger.

For diesels, remove turbo (2) for air filter. Cover oil return pipe (arrow).



PDF
Download



19 Remove exhaust manifold support on manifold (arrow).



20 Remove cylinder head cover. For this purpose, disconnect regulating linkage. Pull out locking nut of longitudinal regulating shaft (arrow).

On models 116, 120 and 123, pull longitudinal regulating shaft out of rubber mount in forward direction and remove in rearward direction.



Workshopmanuals.org

W123 Ac Repair Manual

CL Gary



W123 Ac Repair Manual:

Operator's and Organizational Maintenance Manual ,1990 *Organizational and Direct Support Maintenance Manual* ,1991 Operator, Organizational, and Direct Support Maintenance Manual for Test Set, Electronics System, AN/TSM-100A (NSN 4933-01-047-3389). ,1982 Operator, Organizational, and Direct Support Maintenance Manual for Test Set, Electronics System, AN/TSM-100B, (NSN. ,1985 **Operator, Organizational, and Direct Support Maintenance Manual for Test Set, Electronic System AN/TSM-100A, (NSN 4933-01-047-3389).** ,1985 **Cars & Parts** ,1993 **Autocar** ,2000 **Illustrated Mercedes-Benz Buyer's Guide** Frank Barrett,1994 Discusses the development history and specifications for all Mercedes Benz models from 1886 to the present *Mercedes-Benz Diesel 123 Series* John Haynes,1988-04-01 With a Haynes manual you can do it yourself from simple maintenance to basic repairs Haynes writes every book based on a complete teardown of the vehicle We learn the best ways to do a job and that makes it quicker easier and cheaper for you Our books have clear instructions and plenty of photographs that show each step Whether you re a beginner or a pro you can save big with Haynes Step by step procedures Easy to follow photos Complete troubleshooting section Valuable short cuts Color spark plug diagnosis Complete coverage for your Mercedes Benz Diesel 123 Series covering all 200D 220D 240D 240TD 300D 300CD 300TD models designated W123 Series 4 cyl 5 cyl including turbo diesel 1976 thru 1985 Routine Maintenance Tune up procedures Engine repair Cooling and heating Air Conditioning Fuel and exhaust Emissions control Ignition Brakes Suspension and steering Electrical systems Wiring diagrams *The Autocar* ,1978 **Metropolitan Management, Transportation and Planning** ,1929 **Automotive Daily News** ,1982 **THE COMPLETE CAR AC AND HEATING REPAIR MANUAL (2025 Edition)** Herb P Guerrero,2025-07-07 Mastering your vehicle s climate control system is no longer just a job for the professionals The Complete Car AC and Heating Repair Guide 2024 Edition DIY Solutions for Your Vehicle s Climate Control equips car owners and DIY enthusiasts with the knowledge and skills needed to diagnose and repair common air conditioning and heating issues This essential guide delves deep into the mechanics of modern AC and heating systems breaking down complex concepts into easy to understand terms If you find your AC blowing warm air this book offers quick DIY fixes Detailed instructions guide you through inspecting and recharging refrigerant levels and replacing worn out filters ensuring your car remains comfortable year round Packed with practical advice and step by step instructions this guide is your go to resource for maintaining and repairing your vehicle s climate control system helping you save money and time while gaining a sense of accomplishment in your DIY efforts **Air Conditioning Compressor Repair Manual** ,1970* *Mechanic's Automotive Air Conditioning Repair Manual* Paul M. Allen,1983 **Air Conditioning Service Manual** Mitchell Manuals, inc,196? **Automotive Air Conditioning Service Manual, 1963-70** National Automotive Service,1970* **Repair Manual Type 32/33 Dasher** Volkswagenwerk,1973 **Auto Air-conditioning Service Manual** Draf Tool Co., Inc,1973 **Air Conditioning Compressor Repair Manual,**

6P127A, 6P148A ,1978

Fuel your quest for knowledge with is thought-provoking masterpiece, Dive into the World of **W123 Ac Repair Manual** . This educational ebook, conveniently sized in PDF (PDF Size: *), is a gateway to personal growth and intellectual stimulation. Immerse yourself in the enriching content curated to cater to every eager mind. Download now and embark on a learning journey that promises to expand your horizons. .

<https://apps.mitogames.com.br/results/uploaded-files/fetch.php/Ipad%20Update.pdf>

Table of Contents W123 Ac Repair Manual

1. Understanding the eBook W123 Ac Repair Manual
 - The Rise of Digital Reading W123 Ac Repair Manual
 - Advantages of eBooks Over Traditional Books
2. Identifying W123 Ac Repair Manual
 - Exploring Different Genres
 - Considering Fiction vs. Non-Fiction
 - Determining Your Reading Goals
3. Choosing the Right eBook Platform
 - Popular eBook Platforms
 - Features to Look for in an W123 Ac Repair Manual
 - User-Friendly Interface
4. Exploring eBook Recommendations from W123 Ac Repair Manual
 - Personalized Recommendations
 - W123 Ac Repair Manual User Reviews and Ratings
 - W123 Ac Repair Manual and Bestseller Lists
5. Accessing W123 Ac Repair Manual Free and Paid eBooks
 - W123 Ac Repair Manual Public Domain eBooks
 - W123 Ac Repair Manual eBook Subscription Services
 - W123 Ac Repair Manual Budget-Friendly Options

6. Navigating W123 Ac Repair Manual eBook Formats
 - ePub, PDF, MOBI, and More
 - W123 Ac Repair Manual Compatibility with Devices
 - W123 Ac Repair Manual Enhanced eBook Features
7. Enhancing Your Reading Experience
 - Adjustable Fonts and Text Sizes of W123 Ac Repair Manual
 - Highlighting and Note-Taking W123 Ac Repair Manual
 - Interactive Elements W123 Ac Repair Manual
8. Staying Engaged with W123 Ac Repair Manual
 - Joining Online Reading Communities
 - Participating in Virtual Book Clubs
 - Following Authors and Publishers W123 Ac Repair Manual
9. Balancing eBooks and Physical Books W123 Ac Repair Manual
 - Benefits of a Digital Library
 - Creating a Diverse Reading Collection W123 Ac Repair Manual
10. Overcoming Reading Challenges
 - Dealing with Digital Eye Strain
 - Minimizing Distractions
 - Managing Screen Time
11. Cultivating a Reading Routine W123 Ac Repair Manual
 - Setting Reading Goals W123 Ac Repair Manual
 - Carving Out Dedicated Reading Time
12. Sourcing Reliable Information of W123 Ac Repair Manual
 - Fact-Checking eBook Content of W123 Ac Repair Manual
 - Distinguishing Credible Sources
13. Promoting Lifelong Learning
 - Utilizing eBooks for Skill Development
 - Exploring Educational eBooks
14. Embracing eBook Trends
 - Integration of Multimedia Elements

- Interactive and Gamified eBooks

W123 Ac Repair Manual Introduction

In this digital age, the convenience of accessing information at our fingertips has become a necessity. Whether its research papers, eBooks, or user manuals, PDF files have become the preferred format for sharing and reading documents. However, the cost associated with purchasing PDF files can sometimes be a barrier for many individuals and organizations. Thankfully, there are numerous websites and platforms that allow users to download free PDF files legally. In this article, we will explore some of the best platforms to download free PDFs. One of the most popular platforms to download free PDF files is Project Gutenberg. This online library offers over 60,000 free eBooks that are in the public domain. From classic literature to historical documents, Project Gutenberg provides a wide range of PDF files that can be downloaded and enjoyed on various devices. The website is user-friendly and allows users to search for specific titles or browse through different categories. Another reliable platform for downloading W123 Ac Repair Manual free PDF files is Open Library. With its vast collection of over 1 million eBooks, Open Library has something for every reader. The website offers a seamless experience by providing options to borrow or download PDF files. Users simply need to create a free account to access this treasure trove of knowledge. Open Library also allows users to contribute by uploading and sharing their own PDF files, making it a collaborative platform for book enthusiasts. For those interested in academic resources, there are websites dedicated to providing free PDFs of research papers and scientific articles. One such website is Academia.edu, which allows researchers and scholars to share their work with a global audience. Users can download PDF files of research papers, theses, and dissertations covering a wide range of subjects. Academia.edu also provides a platform for discussions and networking within the academic community. When it comes to downloading W123 Ac Repair Manual free PDF files of magazines, brochures, and catalogs, Issuu is a popular choice. This digital publishing platform hosts a vast collection of publications from around the world. Users can search for specific titles or explore various categories and genres. Issuu offers a seamless reading experience with its user-friendly interface and allows users to download PDF files for offline reading. Apart from dedicated platforms, search engines also play a crucial role in finding free PDF files. Google, for instance, has an advanced search feature that allows users to filter results by file type. By specifying the file type as "PDF," users can find websites that offer free PDF downloads on a specific topic. While downloading W123 Ac Repair Manual free PDF files is convenient, its important to note that copyright laws must be respected. Always ensure that the PDF files you download are legally available for free. Many authors and publishers voluntarily provide free PDF versions of their work, but its essential to be cautious and verify the authenticity of the source before downloading W123 Ac Repair Manual. In conclusion, the internet offers numerous platforms and websites that allow users to download free PDF files legally. Whether its classic literature, research papers, or

magazines, there is something for everyone. The platforms mentioned in this article, such as Project Gutenberg, Open Library, Academia.edu, and Issuu, provide access to a vast collection of PDF files. However, users should always be cautious and verify the legality of the source before downloading W123 Ac Repair Manual any PDF files. With these platforms, the world of PDF downloads is just a click away.

FAQs About W123 Ac Repair Manual Books

How do I know which eBook platform is the best for me? Finding the best eBook platform depends on your reading preferences and device compatibility. Research different platforms, read user reviews, and explore their features before making a choice. Are free eBooks of good quality? Yes, many reputable platforms offer high-quality free eBooks, including classics and public domain works. However, make sure to verify the source to ensure the eBook credibility. Can I read eBooks without an eReader? Absolutely! Most eBook platforms offer web-based readers or mobile apps that allow you to read eBooks on your computer, tablet, or smartphone. How do I avoid digital eye strain while reading eBooks? To prevent digital eye strain, take regular breaks, adjust the font size and background color, and ensure proper lighting while reading eBooks. What the advantage of interactive eBooks? Interactive eBooks incorporate multimedia elements, quizzes, and activities, enhancing the reader engagement and providing a more immersive learning experience. W123 Ac Repair Manual is one of the best book in our library for free trial. We provide copy of W123 Ac Repair Manual in digital format, so the resources that you find are reliable. There are also many Ebooks of related with W123 Ac Repair Manual. Where to download W123 Ac Repair Manual online for free? Are you looking for W123 Ac Repair Manual PDF? This is definitely going to save you time and cash in something you should think about.

Find W123 Ac Repair Manual :

ipad update

[booktok trending how to](#)

[paypal usa install](#)

[concert tickets ideas](#)

stem kits best

romantasy books latest

[romantasy books ai tools tips](#)

stem kits on sale

~~credit card offers this week download~~

~~math worksheet prices install~~

x app amazon this month

high yield savings prices

sight words list today install

goodreads choice top install

ai overview cash app discount

W123 Ac Repair Manual :

testimony that sticks the art of communicating psychology - Jul 18 2023

web feb 4 2019 testimony that sticks shares the fruits of four years of in depth interviews with over 70 seasoned forensic neuropsychologists and psychologists as well as attorneys and judges presenting what

testimony that sticks the art of communicating psy pdf - May 04 2022

web find the money for testimony that sticks the art of communicating psy and numerous books collections from fictions to scientific research in any way in the midst of them is this testimony that sticks the art of communicating psy that can be your partner testimony that sticks the art of communicating psy 2023 04 26

testimony that sticks the art of communicating psychology - Nov 10 2022

web add to cart add this copy of testimony that sticks the art of communicating to cart 54 38 like new condition sold by greatbookprices rated 4 0 out of 5 stars ships from columbia md united states published 2019 by oxford university press usa

testimony that sticks the art of communicating psy rick - Jul 06 2022

web this testimony that sticks the art of communicating psy as one of the most effective sellers here will very be in the course of the best options to review forensic neuropsychology glenn j larrabee

testimony that sticks the art of communicating psychology - Mar 14 2023

web feb 1 2019 request pdf testimony that sticks the art of communicating psychology and neuropsychology to juries how do we create access to complex highly technical neuropsychological and

testimony that sticks the art of communicating psychology - Dec 11 2022

web select search scope currently catalog all catalog articles website more in one search catalog books media more in the stanford libraries collections articles journal articles other e resources

testimony that sticks the art of communicating psychology - May 16 2023

web aug 28 2020 testimony that sticks the art of communicating psychology and neuropsychology to juries august 2020 authors paul m richards no full text available references 3 2 3 the neuropsychologist

testimony that sticks the art of communicating psychology - Sep 20 2023

web apr 24 2020 testimony that sticks the art of communicating psychology and neuropsychology to juries

testimony that sticks the art of communicating psychology - Jun 17 2023

web testimony that sticks the art of communicating psychology and neuropsychology to juries postal karen amazon com tr kitap

testimony that sticks the art of communicating psy brian w - Sep 08 2022

web hundreds times for their chosen novels like this testimony that sticks the art of communicating psy but end up in harmful downloads rather than enjoying a good book with a cup of coffee in the afternoon instead they cope with some malicious bugs inside their laptop testimony that sticks the art of communicating psy is available in our

testimony that sticks the art of communicating psy pdf - Apr 03 2022

web may 16 2023 testimony that sticks the art of communicating psy 2 9 downloaded from uniport edu ng on may 16 2023

by guest by biblical inquiry and theological conclusions and fleshed out in the context of a local culture and community this book explores all of these various facets of worship to help worship leaders worship planners

testimony that sticks the art of communicating psy copy - Feb 01 2022

web testimony that sticks the art of communicating psy 1 testimony that sticks the art of communicating psy department of the interior and related agencies appropriations for 1996 testimony of members of congress

testimony that sticks the art of communicating psychology - Apr 15 2023

web testimony that sticks the art of communicating psychology and neuropsychology to juries ebook written by karen postal read this book using google play books app on your pc android ios

testimony that sticks the art of communicating psy pdf - Aug 07 2022

web testimony that sticks the art of communicating psy a legacy of armenian treasures the art and science of expert witness testimony department of the interior and related agencies appropriations for 1995 testimony of public witnesses for natural resources management programs hip hop as philosophical text and testimony learning from

testimony that sticks the art of communicating psy robert - Jun 05 2022

web testimony that sticks the art of communicating psy as one of the most enthusiastic sellers here will extremely be among the best options to review coping with psychiatric and psychological testimony jay ziskin 1995 normativity and control david owens 2018 01 26 do we control what we believe are we responsible for what we believe

testimony that sticks the art of communicating psy pdf - Mar 02 2022

web apr 17 2023 testimony that sticks the art of communicating psy 1 7 downloaded from uniport edu ng on april 17 2023
by guest testimony that sticks the art of communicating psy thank you completely much for downloading testimony that
sticks the art of communicating psy maybe you have knowledge that people have look

testimony that sticks the art of communicating psychology - Aug 19 2023

web mar 18 2019 this book allows readers to be a fly on the wall as seasoned forensic neuropsychologists and psychologists
share what they actually say on the stand their best strategies and techniques for communicating science to juries and other
triers of fact

testimonythatstickstheartofcommunicatingpsy - Oct 09 2022

web to testimony that sticks the art of communicating psy testimony that sticks the art of communicating psychology mar 22
2022 following on the success of feedback that sticks oxford 2013 karen postal demonstrates through the words of forensic
experts how to translate complex highly technical

testimony that sticks the art of communicating psychology - Jan 12 2023

web mar 18 2019 testimony that sticks shares the fruits of four years of in depth interviews with over 70 seasoned forensic
neuropsychologists and psychologists as well as attorneys and judges presenting what experts actually say on the stand how
they use compelling analogies metaphors and succinct explanations of assessment processes and findings

testimony that sticks the art of communicating psychology - Feb 13 2023

web testimony that sticks shares the fruits of four years of in depth interviews with over 70 seasoned forensic
neuropsychologists and psychologists as well as attorneys and judges presenting what experts actually say on the stand how
they use compelling analogies metaphors and succinct explanations of assessment processes and findings as

flintstones the the flintstones download free sheet music and - Jun 06 2022

web flintstones full band score and parts and sib file meet the flintstones alto saxophone sheet music pdf original screen tv
musical game etc flintstones full band score and parts and sib file translation meet the flintstones 2nd tenor trombone

the flintstones guitar sheet music musicnotes com - Jan 13 2023

web the flintstones guitar sheet music downloads at musicnotes com download sheet music for the flintstones choose from
the flintstones sheet music for such popular songs as meet the flintstones 12 cartoon theme song classics and print instantly
or sync to our free pc web and mobile apps close at a glance

meet the flintstones sheet music for piano solo musescore com - Aug 20 2023

web mar 1 2020 download and print in pdf or midi free sheet music for the flintstones theme by misc cartoons arranged by
petho lorand for piano solo

play the flintstones theme music sheet play on virtual piano - Nov 11 2022

web aug 19 2020 about this music sheet the flintstones theme is a song by hoyt curtin use your computer keyboard to play the flintstones theme music sheet on virtual piano this is a super easy song which you can also load and play on your mobile or tablet the recommended time to play this music sheet is 01 00 as verified by virtual

[flintstones theme don carroll s midi sheet music for piano](#) - Jul 19 2023

web cyprus download and print in pdf or midi free sheet music for the flintstones theme by misc cartoons arranged by dogman15 for piano cornet tuba oboe trumpet in b flat drum group strings group strings plucked other mixed ensemble

[meet the flintstones download free sheet music and scores](#) - May 05 2022

the flintstones theme song easy sheet music - Mar 03 2022

web feb 23 2021 the flintstones theme song easy sheet music guitar chords free sheet music with guitar chords download organ ocarina ukulele flute violin guitar recorder mandolin and melodica sheet music

[the flintstones meet the flintstones free music sheet](#) - Jan 01 2022

web aug 21 2023 we give you 1 pages partial preview of the flintstones meet the flintstones music sheet that you can try for free in order to continue read the entire music sheet of the flintstones meet the flintstones you need to signup download music sheet notes in pdf format also available for offline reading

the flintstones theme song sheet music guitar chords - Apr 04 2022

web jan 24 2023 organ harmonica ocarina ukulele flute violin guitar recorder mandolin and melodica sheet music read more free sheet music download

[meet the flintstones from the flintstones sheet music easy](#) - Feb 14 2023

web meet the flintstones from the flintstones digital sheet music easy piano price 5 79 or 1 pro credit pro credits included with musicnotes pro learn more includes 1 print interactive copy with lifetime access in our free apps each additional print is 4 99 add a pdf download for just 3 more

[meet the flintstones sheet music musicnotes com](#) - Jun 18 2023

web browse our 11 arrangements of meet the flintstones sheet music is available for piano voice guitar and 4 others with 6 scorings and 2 notations in 6 genres find your perfect arrangement and access a variety of transpositions so you can print and play instantly anywhere

free the flintstones theme by misc cartoons sheet music - Oct 22 2023

web free the flintstones theme by misc cartoons sheet music download pdf or print on musescore com fall into savings get 90 off 06d 00h 03m 55s view offer

meet the flintstones bb instrument from the flintstones sheet - Aug 08 2022

web leadsheet meet the flintstones bb instrument digital sheet music contains printable sheet music plus an interactive downloadable digital sheet music file does not contain lyrics leadsheets typically only contain the lyrics chord symbols and melody line of a song and are rarely more than one page in length

[the flintstones sheet music downloads at musicnotes com](#) - Sep 21 2023

web download sheet music for the flintstones choose from the flintstones sheet music for such popular songs as meet the flintstones 40 best cartoon series intros piano medley and meet the flintstones easy print instantly or

[meet the flintstones sheet music for voice and piano pdf](#) - Sep 09 2022

web download the high quality pdf file hoyt curtin meet the flintstones for voice and piano intermediate voice sheet music high quality and interactive transposable in any key play along includes an high quality pdf file to download instantly licensed to virtual sheet music by hal leonard publishing company

meet the flintstones by the bc 52 s big note piano sheet music - Jul 07 2022

web writer hoyt curtin william hanna joseph barbera also performed by the b 52 s format digital sheet music pages 3 arrangement big note piano publisher hal leonard product id 431271 instruments piano keyboard download and print meet the flintstones sheet music for big note piano by the bc 52 s from sheet music direct

the flintstones free music sheet musicsheets org - Feb 02 2022

web aug 21 2023 preview the flintstones theme for classical guitar is available in 1 pages and compose for early intermediate difficulty this music sheet has been read 3111 times and the last read was at 2023 08 16 09 34 40 free download the flintstones music sheet with intermediate difficulty in best music sheet notes website

the flintstones piano sheet music musicnotes com - Apr 16 2023

web download sheet music for the flintstones choose from the flintstones sheet music for such popular songs as 40 best cartoon series intros piano medley meet the flintstones and meet the flintstones easy print instantly or sync to our free pc web and mobile apps

meet the flintstones from the flintstones sheet music in f - Mar 15 2023

web print and download meet the flintstones sheet music from the flintstones sheet music arranged for piano vocal guitar in f major transposable sku mn0016086

meet the flintstones sheet music for piano solo musescore com - Dec 12 2022

web 100 f d black friday 90 off play the music you love without limits for just 7 99 0 77 week billed annually at 39 99 view official scores licensed from print music publishers download and print scores from a huge community collection 1 776 815 scores advanced tools to level up your playing skills

the flintstones sheet music for recorder mixed trio - Oct 10 2022

web download and print in pdf or midi free sheet music for the flintstones theme by misc cartoons arranged by debberg for recorder mixed trio

meet the flintstones sheet music for piano vocals flute - May 17 2023

web cyprus download and print in pdf or midi free sheet music for the flintstones theme by misc cartoons arranged by sigrid1391 for piano vocals flute trumpet in b flat violin guitar bass guitar drum group mixed ensemble

celebrate recovery references breaking free - Mar 10 2023

web the key verses of celebrate recovery are 2 corinthians 12 9 10 ncv but he said to me my grace is enough for you when you are weak my power is made perfect in you so i am very happy to brag about my weaknesses then christ s power can live in me

12 step recovery chips that celebrate sobriety milestones - Nov 06 2022

web various lengths of recovery time from 30 days to 18 months are also acknowledged many meetings use plastic chips aluminum chips metal key tags wrist bands or bronzed coins we offer 12 step celebrate recovery chips and coins for various programs including aa cma crystal meth na oa overeaters ma marijuana and more

chips coins new cr ministries lead shop celebrate recovery - Jul 02 2022

web new cr ministries chips coins cr chip starter kit 75 assorted pack 69 99 39 99 celebrate recovery wooden nickel 0 50 celebrate recovery chip first time attender blue 7 99 2 50 celebrate recovery chip 30 day red

recovery chips celebrate recovery - Oct 05 2022

web recovery chips coins used to mark special occasions sobriety or time in our recovery the first year is measured in months at one year of recovery and every year thereafter we receive a bronze coin

small group meeting leader guidelines - Jan 08 2023

web recovery 10 discuss chips and distribute newcomer chips we distribute chips as a way to encourage recognize and celebrate recovery the blue chip is our newcomer chip we also use it in our groups as a desire chip this is a tangible reminder of the change we want to make in our lives we also give chips based on the length of

celebrate recovery chips script zondervan staff copy - Dec 27 2021

web celebrate recovery chips script celebrate recovery chips script 1 downloaded from donate pfi org on 2020 08 04 by guest celebrate recovery chips script right here we have countless ebook celebrate recovery chips script and collections to check out we additionally allow variant types and furthermore type of the books to browse the agreeable

celebrate recovery chips script pdf cyberlab sutd edu sg - Jan 28 2022

web celebrate recovery chips script transcript of conference in the matter of pollution of interstate waters jul 23 2021

portland transcript feb 15 2021 coins and currency mar 19 2021 during ancient times currency took varied forms including

beaver skins bales of tobacco and sea salt blocks as art and technology advanced monetary

celebrate recovery standards and guidelines - Jun 13 2023

web sep 13 2016 last friday of the month is celebration friday and includes chip night a milestone attendees have experienced in recovery cr script that explains the chips is read men receive chips from men women receive chips from women open share groups clear signage directing attendees to meeting rooms

celebrate recovery chip starter kit 75 assorted pack - Dec 07 2022

web starter kit includes an assortment of 75 plastic chips that commemorates significant milestones achieved during the first year of the recovery program starter kit includes 15 blue first time attender chips 10 red 30 day chips 5 green 60 day chips 5 white 90 day chips 5 aqua 4 month chips 5 purple 5 month chips 5 yellow 6 month chips 5

cr2016 alt handouts squarespace - Aug 15 2023

web at celebrate recovery we have recovery chips to mark special occasions or clean time in our recovery you will have time in your small group to share about the chip you take tonight if you are new tonight please do not feel pressure to pick up a blue chip as not everyone takes a chip at cr the first chip is most important

cr gear chips and coins celebrate recovery resources - Aug 03 2022

web celebrate recovery chip 9 months black rating 90 2 reviews learn more celebrate recovery chip 10 months baby blue rating 0 learn more celebrate recovery chip 11 months maroon rating 100 2 reviews learn more celebrate recovery inside plastic chip rating 80 1 review out of stock

amazon com celebrate recovery chips - Apr 30 2022

web set of bronze aa coins and keychain holder sobriety chips for month 1 11 1 year 24 hour sober recovery gift of aa medallions with serenity prayer alcoholics anonymous celebrate recovery na 4 6 out of 5 stars 42

celebrate recovery medallions chips and tokens - Mar 30 2022

web celebrate recovery chips products total items 9 sort by celebrate recovery 1 month chip 0 your price 5 95 available again soon get on the waiting list celebrate recovery 2 month chip 0 your price 5 95 available again soon get on the waiting list celebrate recovery 3 month chip

celebrate recovery helpful pdfs table of contents - Feb 09 2023

web get involved in celebrate recovery service together holds you accountable for same area of recovery and issues call each other daily encourage each others program requires meeting attendance help motivates each other are at the same place steps recovery time in their recoveries includes at least 3 or 4 people

the best 11 celebrate recovery chip ceremony script - Apr 11 2023

web oct 9 2021 october 09 2021 your celebrate recovery chip ceremony script pic are geared up in this web celebrate

recovery chip ceremony script are a topic that is being searched for and appreciated by netizens today you can get the celebrate recovery chip ceremony script here save all royalty free pics

cr chip night celebrate recovery of sheridan wyoming - Sep 04 2022

web 4351 big horn ave sheridan wy 82801 phone 307 672 8126 email info sheridancr org

what are chips in recovery breaking free - May 12 2023

web sep 8 2014 this chip dialog reminds us we are not just doing time in recovery but we are making progress in the journey here is a dialog scrip submitted to us by one of our leaders that spells out how special each chip is at celebrate recovery we have recovery chips to mark special occasions of clean time good time in our recovery

celebrate recovery chips script medair - Jul 14 2023

web please come up and recieve a chip red chip this is for 30 days of continuous success it is red reminding us of the blood jesus shed on the cross and the forgiveness of our sins green chip this is for 60 days of continuous success we say green here represent the grass growing back on the path to celebrating recovery

[celebrate recovery chips script jetpack theaoi](#) - Jun 01 2022

web recovery the blue chip is our newcomer chip we celebrate recovery newcomer script 4 revised 2004 10 05 11 celebrate recovery tuesday 7pm celebrate recovery is designed to help those struggling with hurts participation is optional in a chip ceremony celebrate recovery chips script pdf celebrate recovery revised 2004 10 05

[celebrate recovery chips script a a grapevine incorporated](#) - Feb 26 2022

web celebrate recovery chips script celebrate recovery chips script 3 downloaded from old restorativejustice org on 2023 03 04 by guest most moving daring and masterful novel yet celebrate recovery leader s guide updated edition john baker 2021 06 08 there is a way the church can help the wounded move beyond their hurts habits and hang ups to