



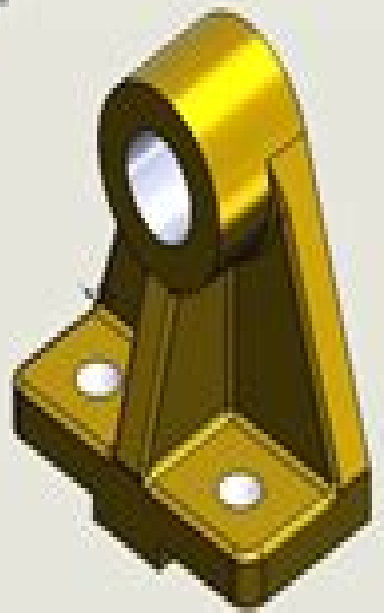
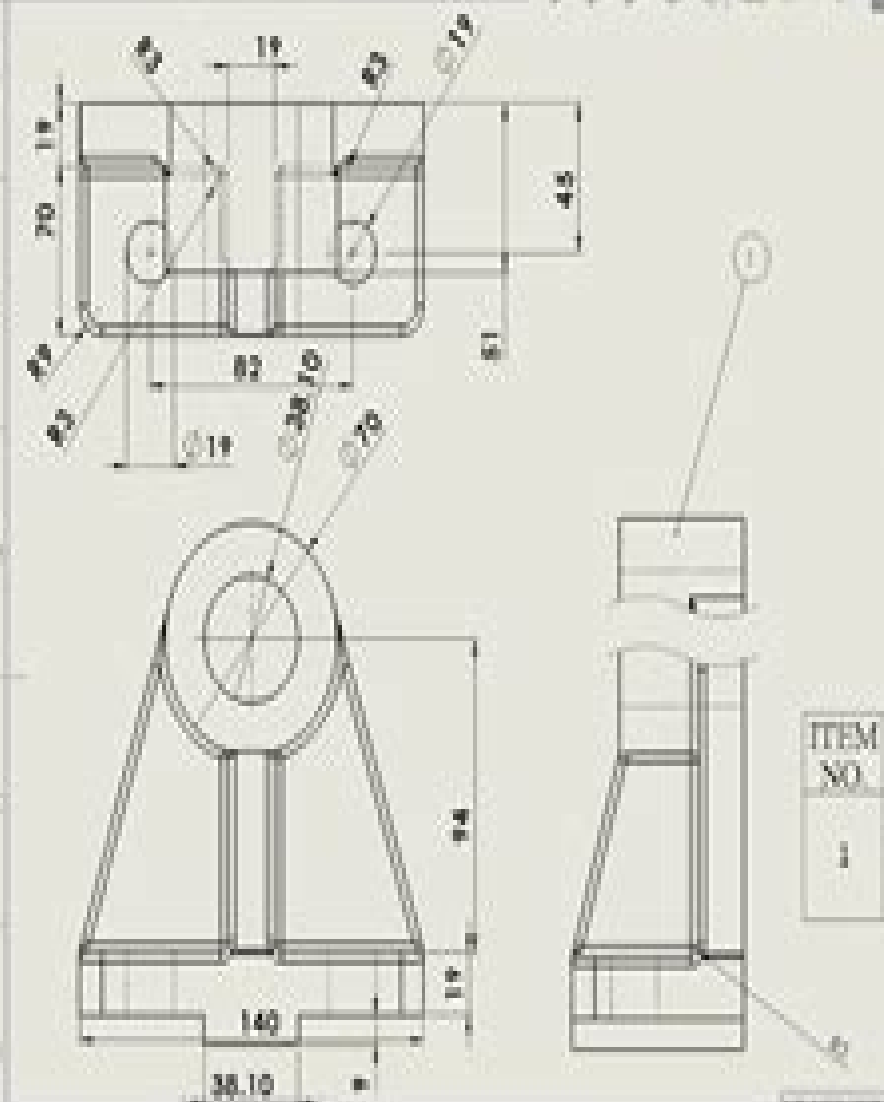
Figura 9.74_Memula de contra-cojinele

Annotations

Drawing

- Sheet format1
- Drawing View1
- Drawing View2
- Drawing View3
- Drawing View4

Bill of Materials



ITEM NO.	PART NUMBER	DESCRIPTION	QTY.
1	Figura 9.74_Memula de contra-cojinele		1

Solidworks Drawing Tutorial Guide

David Planchard



Solidworks Drawing Tutorial Guide:

Drawing and Detailing with SolidWorks 2007 David C. Planchard, Marie P. Planchard, 2007 Drawing and Detailing with SolidWorks 2007 is written to educate and assist students designers engineers and professionals in the following areas A solid foundation using SolidWorks Drawing Options and SolidWorks Detailing Options Applying Engineering drawing standards and practices using SolidWorks tools Building multiple part and assembly configurations that interact with drawings Bill of Materials and Design Tables A comprehensive understanding of the differences between Drawing Templates and Sheet Formats Increase SolidWorks functionality to create view types with various configurations Combine a series of SolidWorks tools to solve a specific problem using Custom Properties and SolidWorks Properties The book utilizes a competency based approach on five projects Real world parts projects and tasks are addressed Commands are presented in a step by step progressive approach The learning process is explored through a series of design situations industry scenarios projects and objectives Table of Contents Introduction 1 Drawing Template and Sheet Format 2 Drawing View 3 Fundamentals of Detailing 4 Assembly Drawing 5 Applied Geometric Tolerancing and Other Symbols Appendix Index

SOLIDWORKS 2021: A Power Guide for Beginners and Intermediate Users Sandeep Dogra, SOLIDWORKS 2021 A Power Guide for Beginners and Intermediate Users textbook has been designed for instructor led courses as well as self paced learning It is intended to help engineers and designers interested in learning SOLIDWORKS for creating 3D mechanical design This textbook is a great help for new SOLIDWORKS users and a great teaching aid in classroom training This textbook consists of 14 chapters with a total of 798 pages covering the major environments of SOLIDWORKS such as Sketching environment Part modeling environment Assembly environment and Drawing environment This textbook teaches users to use SOLIDWORKS mechanical design software for creating parametric 3D solid components assemblies and 2D drawings This textbook also includes a chapter on creating multiple configurations of a design This textbook not only focuses on the usage of the tools and commands of SOLIDWORKS but also on the concept of design Every chapter in this textbook contains tutorials that provide users with step by step instructions for creating mechanical designs and drawings with ease Moreover every chapter ends with hands on test drives which allow users to experience the user friendly and technical capabilities of SOLIDWORKS

SOLIDWORKS 2024: A Power Guide for Beginners and Intermediate Users Sandeep Dogra, SOLIDWORKS 2024 A Power Guide for Beginners and Intermediate Users textbook is designed for both instructor led courses and self paced learning It is intended to help engineers and designers interested in learning SOLIDWORKS for creating 3D mechanical designs This is a valuable resource for new SOLIDWORKS users and a great teaching tool for classroom training With 14 chapters and a total of 780 pages the content extensively covers key SOLIDWORKS environments such as Sketching Part Modeling Assembly and Drawing This textbook teaches users to use SOLIDWORKS mechanical design software for creating parametric 3D solid components assemblies and 2D drawings Additionally a dedicated chapter is

included to guide users in creating multiple configurations of a design This textbook not only focuses on the usage of the tools and commands of SOLIDWORKS but also the concept of design Every chapter in this textbook contains tutorials that provide users with step by step instructions for creating mechanical designs and drawings with ease Additionally every chapter ends with practical hands on test drives that allow users to experience the user friendly and powerful technical capabilities of SOLIDWORKS

A Commands Guide Tutorial for SolidWorks 2007 David C. Planchard, Marie P. Planchard, 2007

SolidWorks 2011 Parts Bible Matt Lombard, 2011-03-29 Like the SolidWorks Bible but want more on parts New version provides greater detail than ever SolidWorks fans have long sought more detail and information on SolidWorks topics and now you have it We took our popular SolidWorks Bible divided it into two books SolidWorks 2011 Parts Bible and SolidWorks 2011 Assemblies Bible and packed each new book with a host of items from your wish lists such as more extensive coverage of the basics additional tutorials and expanded coverage of topics largely ignored by other books This SolidWorks Parts Bible shows you how to do parts modeling and parts drawing using the latest version of the 3D solid modeling program SolidWorks Thoroughly describes best practices and beginning to advanced techniques using both video and text Expands coverage of topics that readers have asked for including Pack and Go search criteria and greater coverage of file management Written by well known and well respected SolidWorks guru Matt Lombard Can stand alone or also with the SolidWorks 2011 Assemblies Bible for a complete SolidWorks reference set Keep both the SolidWorks 2011 Parts Bible and the SolidWorks 2011 Assemblies Bible on your desk and you ll have the best resource set out there on SolidWorks

Commands Guide Tutorial for SolidWorks 2012 David C. Planchard, Marie P. Planchard, 2011-12-18 The Commands Guide Tutorial for SolidWorks 2012 is a comprehensive reference book written to assist the beginner to intermediate user of SolidWorks 2012 SolidWorks is an immense software package and no one book can cover all topics for all users The book provides a centralized reference location to address many of the tools features and techniques of SolidWorks 2012 This book covers the following System and Document properties FeatureManagers PropertyManagers ConfigurationManagers RenderManagers 2D and 3D Sketch tools Sketch entities 3D Feature tools Motion Study Sheet Metal Motion Study Sustainability Sustainability Xpress FlowXpress PhotoView 360 Pack and Go Intelligent Modeling techniques and more Chapter 1 provides a basic overview of the concepts and terminology used throughout this book using SolidWorks 2012 software If you are completely new to SolidWorks you should read Chapter 1 in detail and complete Lesson 1 Lesson 2 and Lesson 3 in the SolidWorks Tutorials If you are familiar with an earlier release of SolidWorks you still might want to skim Chapter 1 to become acquainted with some of the commands menus and features that you have not used or you can simply jump to any section in any chapter Each chapter 18 total provides detail PropertyManager information on key topics with individual stand alone short tutorials to reinforce and demonstrate the functionality and ease of the SolidWorks tool or feature All models for the 240 plus tutorials are located on the enclosed book CD with their solution initial and final Learn by

doing not just by reading Formulate the skills to create modify and edit sketches and solid features Learn the techniques to reuse features parts and assemblies through symmetry patterns copied components design tables configurations and more The book is design to compliment the Online Tutorials and Online Help contained in SolidWorks 2012 The goal is to illustrate how multiple design situations and systematic steps combine to produce successful designs The authors developed the tutorials by combining their own industry experience with the knowledge of engineers department managers professors vendors and manufacturers These professionals are directly involved with SolidWorks everyday Their responsibilities go far beyond the creation of just a 3D model

Learn SOLIDWORKS 2020 Tayseer Almattar,2019-12-02 Explore a practical and example driven approach to understanding SOLIDWORKS 2020 and achieving CSWA and CSWP certification Key FeaturesGain comprehensive insights into the core aspects of mechanical part modelingGet up to speed with generating assembly designs with both standard and advanced matesFocus on design practices for both 2D as well as 3D modeling and prepare to achieve CWSP and CWSA certificationBook Description SOLIDWORKS is the leading choice for 3D engineering and product design applications across industries such as aviation automobiles and consumer product design This book takes a practical approach to getting you up and running with SOLIDWORKS 2020 You ll start with the basics exploring the software interface and working with drawing files The book then guides you through topics such as sketching building complex 3D models generating dynamic and static assemblies and generating 2D engineering drawings to equip you for mechanical design projects You ll also do practical exercises to get hands on with creating sketches 3D part models assemblies and drawings To reinforce your understanding of SOLIDWORKS the book is supplemented by downloadable files that will help you follow up with the concepts and exercises found in the book By the end of this book you ll have gained the skills you need to create professional 3D mechanical models using SOLIDWORKS and you ll be able to prepare effectively for the Certified SOLIDWORKS Associate CSWA and Certified SOLIDWORKS Professional CSWP exams What you will learnUnderstand the fundamentals of SOLIDWORKS and parametric modelingCreate professional 2D sketches as bases for 3D models using simple and advanced modeling techniquesUse SOLIDWORKS drawing tools to generate standard engineering drawingsEvaluate mass properties and materials for designing parts and assembliesUnderstand the objectives and the formats of the CSWA and CSWP examsDiscover expert tips and tricks to generate different part and assembly configurations for your mechanical designsWho this book is for This book is for aspiring engineers designers drafting technicians or anyone looking to get started with the latest version of SOLIDWORKS Anyone interested in becoming a Certified SOLIDWORKS Associate CSWA or Certified SOLIDWORKS Professional CSWP will also find this book useful

Mastering SolidWorks Matt Lombard,2018-10-26 The complete SolidWorks reference tutorial for beginner to advanced techniques Mastering SolidWorks is the reference tutorial for all users Packed with step by step instructions video tutorials for over 40 chapters and coverage of little known techniques this book takes you from novice to power user with clear

instruction that goes beyond the basics Fundamental techniques are detailed with real world examples for hands on learning and the companion website provides tutorial files for all exercises Even veteran users will find value in new techniques that make familiar tasks faster easier and more organized including advanced file management tools that simplify and streamline pre flight checks SolidWorks is the leading 3D CAD program and is an essential tool for engineers mechanical designers industrial designers and drafters around the world User friendly features such as drag and drop point and click and cut and paste tools belie the software s powerful capabilities that can help you create cleaner more precise more polished designs in a fraction of the time This book is the comprehensive reference every SolidWorks user needs with tutorials background and more for beginner to advanced techniques Get a grasp on fundamental SolidWorks 2D and 3D tasks using realistic examples with text based tutorials Delve into advanced functionality and capabilities not commonly covered by how to guides Incorporate improved search Pack and Go and other file management tools into your workflow Adopt best practices and exclusive techniques you won t find anywhere else Work through this book beginning to end as a complete SolidWorks course or dip in as needed to learn new techniques and time saving tricks on demand Organized for efficiency and designed for practicality these tips will remain useful at any stage of expertise With exclusive coverage and informative detail Mastering SolidWorks is the tutorial reference for users at every level of expertise [SOLIDWORKS 2020 Reference Guide](#) David Planchard,2019-12 A comprehensive reference book for SOLIDWORKS 2020 Contains 260 plus standalone tutorials Starts with a basic overview of SOLIDWORKS 2020 and its new features Tutorials are written for each topic with new and intermediate users in mind Includes access to each tutorial s initial and final state Contains a chapter introducing you to 3D printing The SOLIDWORKS 2020 Reference Guide is a comprehensive reference book written to assist the beginner to intermediate user of SOLIDWORKS 2020 SOLIDWORKS is an immense software package and no one book can cover all topics for all users This book provides a centralized reference location to address many of the tools features and techniques of SOLIDWORKS 2020 This book covers the following System and Document properties FeatureManagers PropertyManagers ConfigurationManagers RenderManagers 2D and 3D Sketch tools Sketch entities 3D Feature tools Motion Study Sheet Metal Motion Study SOLIDWORKS Simulation PhotoView 360 Pack and Go 3D PDFs Intelligent Modeling techniques 3D printing terminology and more Chapter 1 provides a basic overview of the concepts and terminology used throughout this book using SOLIDWORKS 2020 software If you are completely new to SOLIDWORKS you should read Chapter 1 in detail and complete Lesson 1 Lesson 2 and Lesson 3 in the SOLIDWORKS Tutorials If you are familiar with an earlier release of SOLIDWORKS you still might want to skim Chapter 1 to become acquainted with some of the commands menus and features that you have not used or you can simply jump to any section in any chapter Each chapter provides detailed PropertyManager information on key topics with individual stand alone short tutorials to reinforce and demonstrate the functionality and ease of the SOLIDWORKS tool or feature The book provides access to over 260 models their solutions and additional support materials

Learn by doing not just by reading Formulate the skills to create modify and edit sketches and solid features Learn the techniques to reuse features parts and assemblies through symmetry patterns copied components design tables configurations and more The book is designed to complement the Online Tutorials and Online Help contained in SOLIDWORKS 2020 The goal is to illustrate how multiple design situations and systematic steps combine to produce successful designs The author developed the tutorials by combining his own industry experience with the knowledge of engineers department managers professors vendors and manufacturers He is directly involved with SOLIDWORKS every day and his responsibilities go far beyond the creation of just a 3D model Beginner's Guide to SolidWorks 2014 - Level I Alejandro Reyes,2014-02-26 This book is intended to help new users learn the basic concepts of SolidWorks and good solid modeling techniques in an easy to follow guide that includes video instruction It is a great starting point for those new to SolidWorks or as a teaching aid in classroom training to become familiar with the software's interface basic commands and strategies as the user completes a series of models while learning different ways to accomplish a particular task At the end of this book you will have a fairly good understanding of the SolidWorks interface and the most commonly used commands for part modeling assembly and detailing after completing a series of components and their 2D drawings complete with Bill of Materials The book focuses on the processes to complete the modeling of a part instead of focusing on individual software commands or operations which are generally simple enough to learn The author strived hard to include the commands required in the Certified SolidWorks Associate test as listed on the SolidWorks website as well as several more SolidWorks is an easy to use CAD software that includes many time saving tools that will enable new and experienced users to complete design tasks faster than before Most commands covered in this book have advanced options which may not be covered in this book This is meant to be a starting point to help new users to learn the basic and most frequently used commands

SOLIDWORKS 2023: A Power Guide for Beginners and Intermediate Users Sandeep Dogra, SOLIDWORKS 2023 A Power Guide for Beginners and Intermediate Users textbook has been designed for instructor led courses as well as self paced learning It is intended to help engineers and designers interested in learning SOLIDWORKS for creating 3D mechanical designs This textbook is a great help for new SOLIDWORKS users and a great teaching aid in classroom training This textbook consists of 14 chapters with a total of 780 pages covering the major environments of SOLIDWORKS such as Sketching environment Part modeling environment Assembly environment and Drawing environment This textbook teaches users to use SOLIDWORKS mechanical design software for creating parametric 3D solid components assemblies and 2D drawings This textbook also includes a chapter on creating multiple configurations of a design This textbook not only focuses on the usage of the tools and commands of SOLIDWORKS but also on the concept of design Every chapter in this textbook contains tutorials that provide users with step by step instructions for creating mechanical designs and drawings with ease Moreover every chapter ends with hands on test drives which allow users to experience the user friendly and technical

capabilities of SOLIDWORKS Table of Contents Chapter 1 Introduction to SOLIDWORKS Chapter 2 Drawing Sketches with SOLIDWORKS Chapter 3 Editing and Modifying Sketches Chapter 4 Applying Geometric Relations and Dimensions Chapter 5 Creating Base Feature of Solid Models Chapter 6 Creating Reference Geometries Chapter 7 Advanced Modeling I Chapter 8 Advanced Modeling II Chapter 9 Patterning and Mirroring Chapter 10 Advanced Modeling III Chapter 11 Working with Configurations Chapter 12 Working with Assemblies I Chapter 13 Working with Assemblies II Chapter 14 Working with Drawings

Solidworks 2020 Sdcad Academy,2021-01-15 SOLIDWORKS 2020 A Step By Step Tutorial Guide for Beginners Mixed Units textbook is intended to help students designers engineers and professionals who are interested in learning SOLIDWORKS step by step for creating real world 3D mechanical designs It is a great starting point for new users of SOLIDWORKS and for those moving from other CAD software This textbook contains tutorials that provide users with step by step instructions for creating parametric 3D solid components assemblies and 2D drawings with ease Every tutorial in this textbook is created based on real world projects This textbook consists of 11 chapters a total of 428 pages covering major environments of SOLIDWORKS such as Part modeling environment Assembly environment and Drawing environment including configurations Every chapter ends with exercises that allow users to experience for themselves the user friendly and powerful capacities of SOLIDWORKS which help users to assess their knowledge Table of Contents Chapter 1 Introduction to SOLIDWORKS Chapter 2 Creating and Editing Sketches Chapter 3 Creating Extrude and Revolve Features Chapter 4 Creating Multi Feature 3D Models Chapter 5 Creating Sweep and Loft Features Chapter 6 Creating Holes Threads and Shell Features Chapter 7 Creating 3D Sketches and Helical Curves Chapter 8 Working with Configurations Chapter 9 Creating Assemblies Using Bottom up Approach Chapter 10 Creating Assemblies Using Top down Approach Chapter 11 Creating 2D Drawings

Beginner's Guide to SOLIDWORKS 2021 - Level I Alejandro Reyes,2021-01-29 This book is intended to help new users learn the basic concepts of SOLIDWORKS and good solid modeling techniques in an easy to follow guide that includes video instruction It is a great starting point for those new to SOLIDWORKS or as a teaching aid in classroom training to become familiar with the software s interface basic commands and strategies as users complete a series of models while learning different ways to accomplish a particular task At the end of this book you will have a fairly good understanding of the SOLIDWORKS interface and the most commonly used commands for part modeling assembly and detailing after completing a series of components and their 2D drawings complete with Bill of Materials The book focuses on the processes to complete the modeling of a part instead of focusing on individual software commands or operations which are generally simple enough to learn Throughout this book the author introduces you to new commands that are required to pass the Certified SOLIDWORKS Associate exam as listed on the SOLIDWORKS website A dedicated chapter provides you with details about the exam as well as a practice test to help you prepare for the actual exam SOLIDWORKS is an easy to use CAD software that includes many time saving tools that will enable new and experienced users to complete design tasks

faster than before Most commands covered in this book have advanced options which may not be covered in this book This is meant to be a starting point to help new users to learn the basic and most frequently used commands *Beginner's Guide to SOLIDWORKS 2022 - Level I* Alejandro Reyes,2022 This book is intended to help new users learn the basic concepts of SOLIDWORKS and good solid modeling techniques in an easy to follow guide that includes video instruction It is a great starting point for those new to SOLIDWORKS or as a teaching aid in classroom training to become familiar with the software s interface basic commands and strategies as users complete a series of models while learning different ways to accomplish a particular task At the end of this book you will have a fairly good understanding of the SOLIDWORKS interface and the most commonly used commands for part modeling assembly and detailing after completing a series of components and their 2D drawings complete with Bill of Materials The book focuses on the processes to complete the modeling of a part instead of focusing on individual software commands or operations which are generally simple enough to learn Throughout this book the author introduces you to new commands that are required to pass the Certified SOLIDWORKS Associate exam as listed on the SOLIDWORKS website A dedicated chapter provides you with details about the exam as well as a practice test to help you prepare for the actual exam SOLIDWORKS is an easy to use CAD software that includes many time saving tools that will enable new and experienced users to complete design tasks faster than before Most commands covered in this book have advanced options which may not be covered in this book This is meant to be a starting point to help new users to learn the basic and most frequently used commands Includes Video Instruction Each copy of this book includes access to video instruction In these videos the author provides a clear presentation of tutorials found in the book The videos reinforce the steps described in the book by allowing you to watch the exact steps the author uses to complete the exercises while he provides additional details along the way Captioned versions of these videos are also available for customers who want or need video captions Solidworks 2020 John Willis,Sandeep Dogra,CADArtifex,2020-01-20 SOLIDWORKS 2020 A Power Guide for Beginners and Intermediate User textbook is designed for instructor led courses as well as for self paced learning It is intended to help engineers and designers interested in learning SOLIDWORKS for creating 3D mechanical design This textbook is a great help for new SOLIDWORKS users and a great teaching aid in classroom training This textbook consists of 14 chapters total 800 pages covering the major environments of SOLIDWORKS such as Sketching environment Part modeling environment Assembly environment and Drawing environment This textbook teaches users to use SOLIDWORKS mechanical design software for creating parametric 3D solid components assemblies and 2D drawings This textbook also includes a chapter on creating multiple configurations of a design This textbook not only focuses on the usage of the tools and commands of SOLIDWORKS but also on the concept of design Every chapter in this textbook contains tutorials that provide users with step by step instructions for creating mechanical designs and drawings with ease Moreover every chapter ends with hands on test drives which allow users to experience the user friendly and technical capabilities of SOLIDWORKS Table

of Contents Chapter 1 Introduction to SOLIDWORKS Chapter 2 Drawing Sketches with SOLIDWORKS Chapter 3 Editing and Modifying Sketches Chapter 4 Applying Geometric Relations and Dimensions Chapter 5 Creating First Base Feature of Solid Models Chapter 6 Creating Reference Geometries Chapter 7 Advanced Modeling I Chapter 8 Advanced Modeling II Chapter 9 Patterning and Mirroring Chapter 10 Advanced Modeling III Chapter 11 Working with Configurations Chapter 12 Working with Assemblies I Chapter 13 Working with Assemblies II Chapter 14 Working with Drawings Main Features of the Textbook Comprehensive coverage of tools Step by step real world tutorials with every chapter Hands on test drives to enhance the skills at the end of every chapter Additional notes and tips Customized content for faculty PowerPoint Presentations Free learning resources for faculty and students Additional student and faculty projects Technical support for the book by contacting info.cadartifex.com SolidWorks 2016 Reference Guide David Planchard,2015-12-16 The SOLIDWORKS 2016 Reference Guide is a comprehensive reference book written to assist the beginner to intermediate user of SOLIDWORKS 2016 SOLIDWORKS is an immense software package and no one book can cover all topics for all users This book provides a centralized reference location to address many of the tools features and techniques of SOLIDWORKS 2016 This book covers the following System and Document

propertiesFeatureManagersPropertyManagersConfigurationManagersRenderManagers2D and 3D Sketch toolsSketch entities3D Feature toolsMotion StudySheet MetalMotion StudySolidWorks SimulationPhotoView 360Pack and Go3D PDFsIntelligent Modeling techniques3D printing terminology and more Chapter 1 provides a basic overview of the concepts and terminology used throughout this book using SOLIDWORKS 2016 software If you are completely new to SOLIDWORKS you should read Chapter 1 in detail and complete Lesson 1 Lesson 2 and Lesson 3 in the SOLIDWORKS Tutorials If you are familiar with an earlier release of SOLIDWORKS you still might want to skim Chapter 1 to become acquainted with some of the commands menus and features that you have not used or you can simply jump to any section in any chapter Each chapter provides detailed PropertyManager information on key topics with individual stand alone short tutorials to reinforce and demonstrate the functionality and ease of the SOLIDWORKS tool or feature The book provides access to over 240 models their solutions and additional support materials Learn by doing not just by reading Formulate the skills to create modify and edit sketches and solid features Learn the techniques to reuse features parts and assemblies through symmetry patterns copied components design tables configurations and more The book is designed to compliment the Online Tutorials and Online Help contained in SOLIDWORKS 2016 The goal is to illustrate how multiple design situations and systematic steps combine to produce successful designs The author developed the tutorials by combining his own industry experience with the knowledge of engineers department managers professors vendors and manufacturers He is directly involved with SOLIDWORKS every day and his responsibilities go far beyond the creation of just a 3D model Solidworks 2007 Tutorial with Multimedia CD David C. Planchard,Marie P. Planchard,2007 SolidWorks 2007 Tutorial was written to assist students

designers engineers and professionals The book provides an introduction to the user interface menus toolbars concepts and modeling techniques of SolidWorks to create parts assemblies and drawings Follow the step by step instructions and develop multiple assemblies that combine over 80 extruded machined parts and components Formulate the skills to create modify and edit sketches and solid features Learn the techniques to reuse features parts and assemblies through symmetry patterns copied components design tables and configurations Review 2 hours of flash movie files that follow the steps in the book Desired outcomes and usage competencies are listed for each project Know your objective up front Follow the steps in Project 1 through Project 4 to achieve your design goals Work between multiple documents features commands and custom properties that represent how engineers and designers utilize SolidWorks in industry Table of Contents Introduction 1 Linkage Assembly 2 Front Support Assembly 3 Fundamentals of Drawing 4 Pneumatic Test Module Assembly Appendix Index

Beginner's Guide to SOLIDWORKS 2020 - Level II Alejandro Reyes,2020 Beginner s Guide to SOLIDWORKS 2020 Level II starts where Beginner s Guide Level I ends following the same easy to read style and companion videoinstruction but this time covering advanced topics and techniques The purpose of this book is to teach advanced techniques including sheet metal surfacing how to create components in the context of an assembly and reference other components Top down design propagate design changes with SOLIDWORKS parametric capabilities mold design welded structures and more while explaining the basic concepts of each trade to allow you to understand the how and why of each operation The author uses simple examples to allow you to better understand each command and environment as well as to make it easier to explain the purpose of each step maximizing the learning time by focusing on one task at a time This book is focused on the processes to complete the modeling of a part instead of focusing on individual software commands or operations which are generally simple enough to learn At the end of this book you will have acquired enough skills to be highly competitive when it comes to designing with SOLIDWORKS and while there are many less frequently used commands and options available that will not be covered in this book rest assured that those covered are most of the commands used every day by SOLIDWORKS designers The author strived hard to include many of the commands required in the Certified SOLIDWORKS Professional Advanced and Expert exams as listed on the SOLIDWORKS website **Beginner's Guide to SOLIDWORKS 2018 - Level I** Alejandro Reyes,2017-10 This book is intended to help new users learn the basic concepts of SOLIDWORKS and good solid modeling techniques in an easy to follow guide that includes video instruction It is a great starting point for those new to SOLIDWORKS or as a teaching aid in classroom training to become familiar with the software s interface basic commands and strategies as users complete a series of models while learning different ways to accomplish a particular task At the end of this book you will have a fairly good understanding of the SOLIDWORKS interface and the most commonly used commands for part modeling assembly and detailing after completing a series of components and their 2D drawings complete with Bill of Materials The book focuses on the processes to complete the modeling of a part instead of focusing on individual software

commands or operations which are generally simple enough to learn The author strived hard to include the commands required in the Certified SOLIDWORKS Associate and Certified SOLIDWORKS Professional Exams as listed on the SOLIDWORKS website SOLIDWORKS is an easy to use CAD software that includes many time saving tools that will enable new and experienced users to complete design tasks faster than before Most commands covered in this book have advanced options which may not be covered in this book This is meant to be a starting point to help new users to learn the basic and most frequently used commands Includes Video Instruction Each copy of this book includes access to video instruction In these videos the author provides a visual presentation of tutorials found in the book The videos reinforce the steps described in the book by allowing you to watch the exact steps the author uses to complete the exercises

SolidWorks 2001
Tutorial Marie P. Planchard, David C. Planchard, 2001

Discover tales of courage and bravery in is empowering ebook, Stories of Fearlessness: **Solidworks Drawing Tutorial Guide** . In a downloadable PDF format (*), this collection inspires and motivates. Download now to witness the indomitable spirit of those who dared to be brave.

<https://apps.mitogames.com.br/data/uploaded-files/Documents/Reddit%20Pro%20Today.pdf>

Table of Contents Solidworks Drawing Tutorial Guide

1. Understanding the eBook Solidworks Drawing Tutorial Guide
 - The Rise of Digital Reading Solidworks Drawing Tutorial Guide
 - Advantages of eBooks Over Traditional Books
2. Identifying Solidworks Drawing Tutorial Guide
 - Exploring Different Genres
 - Considering Fiction vs. Non-Fiction
 - Determining Your Reading Goals
3. Choosing the Right eBook Platform
 - Popular eBook Platforms
 - Features to Look for in an Solidworks Drawing Tutorial Guide
 - User-Friendly Interface
4. Exploring eBook Recommendations from Solidworks Drawing Tutorial Guide
 - Personalized Recommendations
 - Solidworks Drawing Tutorial Guide User Reviews and Ratings
 - Solidworks Drawing Tutorial Guide and Bestseller Lists
5. Accessing Solidworks Drawing Tutorial Guide Free and Paid eBooks
 - Solidworks Drawing Tutorial Guide Public Domain eBooks
 - Solidworks Drawing Tutorial Guide eBook Subscription Services
 - Solidworks Drawing Tutorial Guide Budget-Friendly Options
6. Navigating Solidworks Drawing Tutorial Guide eBook Formats

- ePub, PDF, MOBI, and More
- Solidworks Drawing Tutorial Guide Compatibility with Devices
- Solidworks Drawing Tutorial Guide Enhanced eBook Features
- 7. Enhancing Your Reading Experience
 - Adjustable Fonts and Text Sizes of Solidworks Drawing Tutorial Guide
 - Highlighting and Note-Taking Solidworks Drawing Tutorial Guide
 - Interactive Elements Solidworks Drawing Tutorial Guide
- 8. Staying Engaged with Solidworks Drawing Tutorial Guide
 - Joining Online Reading Communities
 - Participating in Virtual Book Clubs
 - Following Authors and Publishers Solidworks Drawing Tutorial Guide
- 9. Balancing eBooks and Physical Books Solidworks Drawing Tutorial Guide
 - Benefits of a Digital Library
 - Creating a Diverse Reading Collection Solidworks Drawing Tutorial Guide
- 10. Overcoming Reading Challenges
 - Dealing with Digital Eye Strain
 - Minimizing Distractions
 - Managing Screen Time
- 11. Cultivating a Reading Routine Solidworks Drawing Tutorial Guide
 - Setting Reading Goals Solidworks Drawing Tutorial Guide
 - Carving Out Dedicated Reading Time
- 12. Sourcing Reliable Information of Solidworks Drawing Tutorial Guide
 - Fact-Checking eBook Content of Solidworks Drawing Tutorial Guide
 - Distinguishing Credible Sources
- 13. Promoting Lifelong Learning
 - Utilizing eBooks for Skill Development
 - Exploring Educational eBooks
- 14. Embracing eBook Trends
 - Integration of Multimedia Elements
 - Interactive and Gamified eBooks

Solidworks Drawing Tutorial Guide Introduction

In today's digital age, the availability of Solidworks Drawing Tutorial Guide books and manuals for download has revolutionized the way we access information. Gone are the days of physically flipping through pages and carrying heavy textbooks or manuals. With just a few clicks, we can now access a wealth of knowledge from the comfort of our own homes or on the go. This article will explore the advantages of Solidworks Drawing Tutorial Guide books and manuals for download, along with some popular platforms that offer these resources. One of the significant advantages of Solidworks Drawing Tutorial Guide books and manuals for download is the cost-saving aspect. Traditional books and manuals can be costly, especially if you need to purchase several of them for educational or professional purposes. By accessing Solidworks Drawing Tutorial Guide versions, you eliminate the need to spend money on physical copies. This not only saves you money but also reduces the environmental impact associated with book production and transportation. Furthermore, Solidworks Drawing Tutorial Guide books and manuals for download are incredibly convenient. With just a computer or smartphone and an internet connection, you can access a vast library of resources on any subject imaginable. Whether you're a student looking for textbooks, a professional seeking industry-specific manuals, or someone interested in self-improvement, these digital resources provide an efficient and accessible means of acquiring knowledge. Moreover, PDF books and manuals offer a range of benefits compared to other digital formats. PDF files are designed to retain their formatting regardless of the device used to open them. This ensures that the content appears exactly as intended by the author, with no loss of formatting or missing graphics. Additionally, PDF files can be easily annotated, bookmarked, and searched for specific terms, making them highly practical for studying or referencing. When it comes to accessing Solidworks Drawing Tutorial Guide books and manuals, several platforms offer an extensive collection of resources. One such platform is Project Gutenberg, a nonprofit organization that provides over 60,000 free eBooks. These books are primarily in the public domain, meaning they can be freely distributed and downloaded. Project Gutenberg offers a wide range of classic literature, making it an excellent resource for literature enthusiasts. Another popular platform for Solidworks Drawing Tutorial Guide books and manuals is Open Library. Open Library is an initiative of the Internet Archive, a non-profit organization dedicated to digitizing cultural artifacts and making them accessible to the public. Open Library hosts millions of books, including both public domain works and contemporary titles. It also allows users to borrow digital copies of certain books for a limited period, similar to a library lending system. Additionally, many universities and educational institutions have their own digital libraries that provide free access to PDF books and manuals. These libraries often offer academic texts, research papers, and technical manuals, making them invaluable resources for students and researchers. Some notable examples include MIT OpenCourseWare, which offers free access to course materials from the Massachusetts Institute of Technology, and the Digital Public Library of America, which provides a vast collection of digitized books and historical documents. In conclusion, Solidworks Drawing

Tutorial Guide books and manuals for download have transformed the way we access information. They provide a cost-effective and convenient means of acquiring knowledge, offering the ability to access a vast library of resources at our fingertips. With platforms like Project Gutenberg, Open Library, and various digital libraries offered by educational institutions, we have access to an ever-expanding collection of books and manuals. Whether for educational, professional, or personal purposes, these digital resources serve as valuable tools for continuous learning and self-improvement. So why not take advantage of the vast world of Solidworks Drawing Tutorial Guide books and manuals for download and embark on your journey of knowledge?

FAQs About Solidworks Drawing Tutorial Guide Books

How do I know which eBook platform is the best for me? Finding the best eBook platform depends on your reading preferences and device compatibility. Research different platforms, read user reviews, and explore their features before making a choice. Are free eBooks of good quality? Yes, many reputable platforms offer high-quality free eBooks, including classics and public domain works. However, make sure to verify the source to ensure the eBook credibility. Can I read eBooks without an eReader? Absolutely! Most eBook platforms offer webbased readers or mobile apps that allow you to read eBooks on your computer, tablet, or smartphone. How do I avoid digital eye strain while reading eBooks? To prevent digital eye strain, take regular breaks, adjust the font size and background color, and ensure proper lighting while reading eBooks. What the advantage of interactive eBooks? Interactive eBooks incorporate multimedia elements, quizzes, and activities, enhancing the reader engagement and providing a more immersive learning experience. Solidworks Drawing Tutorial Guide is one of the best book in our library for free trial. We provide copy of Solidworks Drawing Tutorial Guide in digital format, so the resources that you find are reliable. There are also many Ebooks of related with Solidworks Drawing Tutorial Guide. Where to download Solidworks Drawing Tutorial Guide online for free? Are you looking for Solidworks Drawing Tutorial Guide PDF? This is definitely going to save you time and cash in something you should think about. If you trying to find then search around for online. Without a doubt there are numerous these available and many of them have the freedom. However without doubt you receive whatever you purchase. An alternate way to get ideas is always to check another Solidworks Drawing Tutorial Guide. This method for see exactly what may be included and adopt these ideas to your book. This site will almost certainly help you save time and effort, money and stress. If you are looking for free books then you really should consider finding to assist you try this. Several of Solidworks Drawing Tutorial Guide are for sale to free while some are payable. If you arent sure if the books you would like to download works with for usage along with your computer, it is possible to download free trials. The free guides make it easy for someone to free access online library for download books to

your device. You can get free download on free trial for lots of books categories. Our library is the biggest of these that have literally hundreds of thousands of different products categories represented. You will also see that there are specific sites catered to different product types or categories, brands or niches related with Solidworks Drawing Tutorial Guide. So depending on what exactly you are searching, you will be able to choose e books to suit your own need. Need to access completely for Campbell Biology Seventh Edition book? Access Ebook without any digging. And by having access to our ebook online or by storing it on your computer, you have convenient answers with Solidworks Drawing Tutorial Guide To get started finding Solidworks Drawing Tutorial Guide, you are right to find our website which has a comprehensive collection of books online. Our library is the biggest of these that have literally hundreds of thousands of different products represented. You will also see that there are specific sites catered to different categories or niches related with Solidworks Drawing Tutorial Guide So depending on what exactly you are searching, you will be able to choose ebook to suit your own need. Thank you for reading Solidworks Drawing Tutorial Guide. Maybe you have knowledge that, people have search numerous times for their favorite readings like this Solidworks Drawing Tutorial Guide, but end up in harmful downloads. Rather than reading a good book with a cup of coffee in the afternoon, instead they juggled with some harmful bugs inside their laptop. Solidworks Drawing Tutorial Guide is available in our book collection an online access to it is set as public so you can download it instantly. Our digital library spans in multiple locations, allowing you to get the most less latency time to download any of our books like this one. Merely said, Solidworks Drawing Tutorial Guide is universally compatible with any devices to read.

Find Solidworks Drawing Tutorial Guide :

reddit pro today

wifi 7 router cover letter buy online

scholarships 2025

sat practice ideas setup

math worksheet usa download

wifi 7 router today

~~meal prep ideas price~~

box office today customer service

airpods on sale

openai today

goodreads choice usa

[fantasy football review open now](#)

[stem kits same day delivery](#)

[cyber monday tax bracket near me](#)

[google maps in the us download](#)

Solidworks Drawing Tutorial Guide :

[medium where good ideas find you openai](#) - Oct 09 2021

[web medium where good ideas find you openai](#)

openai - Aug 31 2023

[web aug 24 2012 careers at openai developing safe and beneficial ai requires people from a wide range of disciplines and backgrounds view careers i encourage my team to keep learning ideas in different topics or fields can often inspire new ideas and broaden the potential solution space lilian weng applied ai at openai creating safe agi that](#)

[open nedir open ne demek nedir com](#) - Apr 14 2022

[web open kelimesi ile baęlı ifadeler open a canal f kanal açmak open a door to smth olanak vermek çanak tutmak open a door to smth id olanak vermek çanak tutmak open access library i halka açık kütüphane halk kütüphanesi open admissions i herkese açık kayıtlar üniv open air açık hava açık open air swimming pool i açık yüzme havuzu](#)

[open definition meaning merriam webster](#) - May 28 2023

[web the meaning of open is having no enclosing or confining barrier accessible on all or nearly all sides how to use open in a sentence synonym discussion of open](#)

[opencorporates the open database of the corporate world](#) - Dec 11 2021

[web all company registers business information system of mexico ministry of the economy free and open company data on 225 million companies and corporations in over 130 jurisdictions including us uk switzerland panama](#)

İngilizce kurs kampanyalarımız open english türkiye - Dec 23 2022

[web sürekli güncellenen kurs kampanyalarımıza ve farklı kampanya detaylarına ulaşmak için open english kampanyalar sayfasını inceleyebilirsiniz 0216 212 00 16 sonbahar rüzgarıyla İngilizce öğren geleceğini garantiye al](#)

[İndir open yazılım](#) - Aug 19 2022

[web open destek opendestek opendestek uzak masaüstü programını İndirmek için tıklayınız framework 4 5 2 framework 4 5 2 access database engine access database engine microsoft access database engine paketini İndirmek için tıklayınız excel aktarım hatalarını giderir](#)

[open definition of open by the free dictionary](#) - Mar 14 2022

web shut unopen closed not open the door slammed shut 2 open affording free passage or access open drains the road is open to traffic open ranks open unfastened affording unobstructed entrance and exit not shut or *distance learning courses and adult education the open* - Jan 24 2023

web the open university offers flexible part time study supported distance and open learning for undergraduate and postgraduate courses and qualifications

529 synonyms antonyms of open merriam webster - Oct 21 2022

web synonyms for open unlock unclose unfasten unlatch slip unfold unfurl disengage antonyms of open shut close lock bar fasten bolt latch button up

the open golf s original championship - Nov 09 2021

web get the latest news and video highlights from the open championship golf s original major the 151st open took place at royal liverpool from 16 23 july 2023

welcome to open library open library - Jul 18 2022

web latest blog posts open library is an open editable library catalog building towards a web page for every book ever published read borrow and discover more than 3m books for free

apache openoffice official site the free and open - Nov 21 2022

web apr 1 2011 the official home page of the apache openoffice open source project home of openoffice writer calc impress draw and base

open synonyms 401 synonyms antonyms for open thesaurus - May 16 2022

web find 401 ways to say open along with antonyms related words and example sentences at thesaurus com the world s most trusted free thesaurus

en İyi online İngilizce kursu open english türkiye - Mar 26 2023

web en iyi online İngilizce kursu olmamızı sağlayan 3 temel faktör verimliliği kanıtlanmış eğitim yöntemlerimiz sayesinde başlangıç seviyesini geleneksel eğitim sistemlerine göre çok daha hızlı geçebilirsiniz 7 24 canlı dersler

online İngilizce eğitimi open english türkiye - Jul 30 2023

web böylece hayalini kurduğun akıcılıkta İngilizce konuşmayı okumayı dinlemeyi ve anlamayı daha hızlı öğreniyorsun anadili İngilizce olan öğretmenlerle 7 24 canlı ders open english te siz de hemen üye olup online İngilizce öğrenmenin faydalarını keşfedebilirsiniz

open english le hızlı ve kolay İngilizce Öğren open english - Sep 19 2022

web open english le İngilizce öğrenmek çok kolay İngilizce öğrenmek için hemen sayfamızı ziyaret et hızlı bir şekilde İngilizce öğrenmeye başla hızlı bir şekilde İngilizce öğrenmek istiyorsan hemen bu sayfayı ziyaret et

open files from the file menu microsoft support - Apr 26 2023

web if you don't use the list of recent files and you'd rather jump straight into browsing folders use ctrl f12 to open the open dialog box directly to access files from your microsoft 365 groups or sharepoint online document libraries click the sites your company link

open 2 linux manual page man7.org - Jan 12 2022

web the file offset is set to the beginning of the file see lseek 2 a call to open creates a new open file description an entry in the system wide table of open files the open file description records the file offset and the file status flags see below

python open function w3schools - Feb 10 2022

web the open function opens a file and returns it as a file object read more about file handling in our chapters about file handling

apache openoffice türkçe Ücretsiz ve açık verimlilik paketi - Jun 28 2023

web jan 4 2014 gönüllüler amatörler değil 8 ocak 2013 apache openoffice 100 gönüllüler tarafından geliştirildi apache geliştiriciler çevirmenler pazarlama ka destek vs için ödeme yapmıyor elbette sunucularımızı çalışır tutmak ve benzer genel giderler için apache yazılım kuruluşuna başışları kabul etmekten mutluluk duyuyoruz

open english meaning cambridge dictionary - Feb 22 2023

web b1 not closed in or covered it's not a good idea to camp in the middle of an open field one which is not covered with trees bushes etc suddenly we had left the city behind

apache openoffice İndirmeleri resmi sitesi - Jun 16 2022

web apr 1 2014 get apache openoffice templates extend your apache openoffice creativity with a large and growing library of templates from other users resmi apache openoffice türkçe indirme sayfası türkçe openoffice devrimine katılın 350 milyondan fazla güvenilen indirmelerle ücretsiz ofis verimlilik paketi

hydraulic press brake ppm series haco cnc automatic - Aug 23 2022

web haco press brake service manual catalog of copyright entries third series feb 01 2021 includes part 1 number 2 books and pamphlets including serials and

haco press brake troubleshooting erms 36 150 practical - Jan 28 2023

web our hydraulic conventional ppm press brake line ranges from 400 to 3 200 kn with bending lengths of 1 6 up to 4 3 m a mechanical depth stop is integrated in both hydraulic

all haco catalogs and technical brochures directindustry - Dec 27 2022

web adjustable open height adjustable speed change over point pressure control with electronic adjustment and read out manual jog mode and automatic cycle selector

[5 imimg com](#) - Mar 30 2023

web ultimate convenience and efficiency a2c process success with haco press brake and laser taillefer expands and optimizes production with advanced haco euromaster s

[press brakes haco](#) - Oct 05 2023

web 19 20 22 24 26 haco s pressbrake series are the result of a decades long tradition in designing and manufacturing affordable state of the art bending machines for a wide

haco press brake service manual orientation sutd edu sg - Jun 20 2022

web the 10 x 440 ton new haco press brake euromaster is haco s general level press brake with market oriented execution these high quality european built press brakes feature

10 x 220 ton new haco press brake synchromaster - May 20 2022

web haco press brake service manual downloaded from ws 1 ps2pdf com by guest patience best handmade electronic music mcgraw hill education in the 1950 s the

haco pressmaster haco - Dec 15 2021

[haco atlantic machinery manuals parts lists maintenance](#) - Jul 22 2022

web description the 10 x 165 ton new haco press brake pressmaster is haco s high spec high performance bending machine these high quality european built press brakes

[new 8 x 165 ton haco atlantic cnc press brake worldwide](#) - Nov 13 2021

10 x 440 ton new haco press brake euromaster s - Feb 14 2022

[sheet metal press brake bending haco](#) - Sep 04 2023

web haco for impressive performances press brakes press brakes synchromaster euromaster s pressmaster 2 follow the haco group

presses haco - Nov 25 2022

web machinery manuals parts lists maintenance manual service instructions schematics haco atlantic lathe manuals milling machines shears grinders saw manuals punch

a conventional hydraulic press brake with adjustable cam system - Sep 23 2022

web the 10 x 220 ton new haco press brake synchromaster srm is haco s entry level machine these high quality european built press brakes come standard with user

[10 maintenance tips for making your press brake last](#) - Aug 03 2023

web manual bottom clamping haco com synchromaster series standard execution ats 595 cnc control with angle programming simple and easy the ats 595 is an easy to

[10 x 165 ton new haco press brake pressmaster worldwide](#) - Mar 18 2022

web the 8 x 165 ton new haco press brake euromaster is haco s general level press brake with market oriented execution these high quality european built press brakes feature

[for impressive performances haco](#) - Jul 02 2023

web standard manual operation optional cnc controlled v axis intuitive fastbend 2d mt premium control 2 axes x r backgauge rigid and high speed

[haco cnc machine dealer manufacturer haco](#) - Apr 30 2023

web all haco catalogs and technical brochures fastbend 2d mt premium 8 pages haco sheet transfer 3015 1 pages hsl hslx hslx hd 12 pages combicut 5 pages

robosoft haco - Oct 25 2022

web april 27th 2018 haco press brake service manual full online full online haco press brake service manual a conventional press brake ranging from 400kn to 3200kn with

[catalog pressbrakes haco pdf catalogs directindustry](#) - Feb 26 2023

web robosoft specializes in the design and development of cnc controls and software mainly for industrial sheet metal machines such as press brakes punching machines shears

[pdf haco press brake service manual cyberlab sutd edu sg](#) - Apr 18 2022

web standard equipment fastbend 3d mt premium control 24 multi touch screen smart draft multitasking step previewer combined icons auto tooling part manager

[haco press brake service manual copy ws 1 ps2pdf](#) - Jan 16 2022

service haco - Jun 01 2023

web mar 6 2023 we purchased a non working haco brake at an auction over a year ago model erms 36 150 from the year 2007 it starts up the monitor turns on and programs

[weather clock widget android v6 1 3 3 adfree apk latest](#) - Jul 03 2022

web jan 22 2020 weather clock widget android v6 1 3 3 adfree apk latest legendapk wednesday january 22 2020 stay updated with the latest weather observations and the most accurate future weather forecast

[android weather clock widge v3 8 0 ad free maxicep](#) - Jun 02 2022

web mar 9 2021 hava durumu ve saati gösteren widget android2 2 ve üzeri gerektirir weather clock widget android google play de android uygulamaları

weather clock widget ad free apk full v3 7 2 0 indir - Mar 11 2023

web weather clock widget ad free apk full v3 7 2 0 android weather clock widget ad free apk İndir türkçe dil destekli tüm dünyadaki şehirlerin hava durumunu anlık güncel olarak ekranınızda görebilirsiniz nem ve rüzgar hızı ve dahasını öğrenin boyut5 mb

weather clock widget ad free v4 2 6 7 paid apk latest - Dec 28 2021

web jan 1 2021 weather clock widget ad free comes with different widget sizes 2 1 4 1 4 2 and 4 3 for normal screens and 5 1 5 2 and 5 3 for large screens like galaxy note and tablets weather clock widget ad free supports a wide range of android phones it supports android version 2 2 and higher

weather clock widget for android ad free v6 1 3 2 apk full paid - Aug 04 2022

web jan 11 2020 you can share weather information and other location details with your friends elegant home screen widgets you can customize fonts for date and clock moon phase stop roaming and update only wifi auto update every 15 minutes 3 hours 6 9 and 12 hours manual update follow the weather forecast and get updates for several

widget sense v2 flip clock weather v1 01 04 mod ad free - Jul 15 2023

web mar 9 2021 17mb apk boyutu olan android 2 3 ve üzeri gerektiren bir widget uygulamasıdır sense v2 flip clock weather google play de android uygulamaları

widget digital clock world weather v1 05 34 ad free - May 13 2023

web mar 11 2019 13mb boyutu vardır android 2 3 ve üzeri gerektirir hava durumunu gösteren bir widget uygulamasıdır digital clock world weather google play de

widget digital clock world weather v1 05 44 mod ad free - Aug 16 2023

web mar 11 2019 android 2 3 ve üzeri gerektiren 13mb civarında apk boyutu olan bu widget ile bulunduğunuz yerin hava durumunu ve anlık olarak saati görebilirsiniz ana sayfa forumlar yeni mesajlar forumlarda ara neler yeni widget digital clock

weather clock widget apk for android download apkpure com - Jun 14 2023

web sep 6 2023 download about weather clock widget english a fully fledged real time weather and future forecast with elegant widgets stay updated with the latest weather observations and the most accurate future weather forecast

weather clock widget ad free v2 1 1 maxicep - Oct 06 2022

web may 8 2019 weather clock widget ad free google play de android uygulamaları android cihazlar için hava durumu saat widget uygulamasıdır android sürüm 2 2

weather clock widget for android ad free 4 3 0 5 apk for android - Dec 08 2022

web mar 17 2023 personalize your phone tablet with the most elegant and customizable widgets showing current weather hourly daily forecast moon phase time and date your calendar events next alarm battery level features automatic location detection locate by network and gps global positioning system

weather clock widget android uptodown - Feb 27 2022

web sep 8 2023 latest version 6 5 2 2 sep 8 2023 older versions advertisement take the time and weather of any city in the world with you with weather clock widget android a tool to let you know the precise time and weather conditions of any specific area in real time with this program you just have to search for the names of your favorite

weather clock widget for android ad free paid apk android - Mar 31 2022

web sep 9 2023 download now the full apk of weather clock widget for android ad free for free only at sbenny com app requirements and details android version required 4 1 and higher versions of android smartphones and tablets

weather clock widget plus v4 5 0 3 apk download filecr - Feb 10 2023

web stay updated with the latest weather observations and the most accurate future forecast personalize your phone tablet with the most elegant and customizable widgets showing current weather hourly daily forecast moon phase time and date calendar events next alarm and battery level

simple weather clock widget 1 0 26 android clock and weather widget - Jan 09 2023

web aug 12 2023 simple weather clock widget no ads v1 0 26 quick access to weather information on android home screenshared complete and ad free version of the

weather clock widget devexpert net - Nov 07 2022

web weather clock widget more than 50 000 000 downloads this is a fabulous multi function ad free for only 4 99 multi style home screen widgets with different sizes detailed current weather screen with 5 day forecast hourly 10 day weather forecast screen and even more disable ads get it free a comprehensive app with many features

weather clock widget plus apps on google play - Apr 12 2023

web jul 29 2023 features automatic location detection locate by network and gps global positioning system manually search for location by name or zip code weather notification alerts multiple

weather clock widget ad free for android apk download - Jan 29 2022

web devexpert net created weather clock widget ad free app to meet your need of accurate daily weather forecast its latest v3 0 1 2 is from tuesday 21st of july 2015 weather clock widget ad free apk is available for free download weather clock widget ad free require android 2 3 and up to run

[weather clock widget for android ad free v4 1 6 4 paid](#) - Sep 05 2022

web may 8 2019 weather clock widget for android ad free v4 1 6 4 paid ekli resimleri görüntülemek için kayıt olmalısınız

hava durumu ve saat widget ı reklamsız hızlı ve doğru hava durumu uygulaması dünya çapındaki tüm şehirler için ayrıntılı hava durumu sađlar adresinizi arar ve şehirleri hızlı bir şekilde bulur ve mevcut

simple weather clock widget v1 0 16 apk subscribed latest - May 01 2022

web mar 31 2023 simple pure weather clock widget you can change your widgets background color and transparency

additional widgets soon would you like to add a simple weather clock widget v1 0 16 apk subscribed latest hostapk hostapk

home android apps antivirus art desain book reference business communication