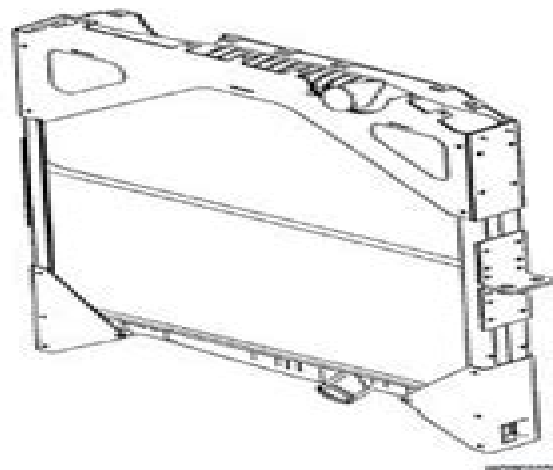


Radiator Repair VN

Radiator, Repair



(Effective from November 1999)

Important: Do not attempt to replace any of the components on the VN radiator, including tanks, seals, or core.

Specialized tooling is needed to perform quality repairs when crimping the tanks and seals to the core. Therefore, you should:

- have the radiator repaired by an authorized radiator service center; or
- replace the complete unit.

Volvo D12 Engine Repair Manual Valve Cover

Volvo, Aktiebolaget



Volvo D12 Engine Repair Manual Valve Cover:

Popular Mechanics, 1985-01 Popular Mechanics inspires instructs and influences readers to help them master the modern world Whether it s practical DIY home improvement tips gadgets and digital technology information on the newest cars or the latest breakthroughs in science PM is the ultimate guide to our high tech lifestyle **Volvo S40 and V50 Diesel (07-13) 07 to 62** Chris Randall,2013-01-01 Part of the Haynes Service and Repair Manual Series this title covers Volvo S40 and V50 diesel cars made between 2007 and 2013 *Volvo S40 and V50 Petrol and Diesel Service and Repair Manual* Martynn Randall,2008 S40 Saloon V50 Estate inc special limited editions Does NOT cover Classic T5 or AWD four wheel drive models or facelifted range introduced July 2007 Petrol 1 8 litre 1798cc 2 0 litre 1999cc 2 4 litre 2435cc Does NOT cover 1 6 litre or 2 5 litre petrol engines Turbo Diesel 2 0 litre 1988cc Does NOT cover 1 6 litre or 2 4 litre diesel engines

Volvo 850 Service and Repair Manual John S. Mead,2015 Workshop Manual Engine Volvo, Peugeot, Renault, de Lorean Volvo B28,2009 Complete Handbook for the V6 Europe Engine Peugeot Volvo Renault Alpine De Lorean and others

Volvo Service Manual Repair Instructions, 1975 Volvo 850, 1993-1997 John Haynes,2000-01-06 Haynes Manuals have a new look To ensure the continued success of one of the industry s most dynamic manual series Haynes has color coded their covers by manufacturer and replaced the familiar cover artwork with computer generated cutaway photography By Summer 2000 80 percent of Haynes manuals will have the colorful new design Inside enthusiasts will find the same reliable information whether the reader has simple maintenance or a complete engine rebuild in mind he or she can rest assured that there s a Haynes Manual for just above every popular domestic and import car truck and motorcycle Hundreds of illustrations and step by step instructions make each repair easy to follow **Volvo 740 & 760** Matthew Minter,John S. Mead,1996 Saloon Estate inc special limited editions Petrol 2 0 litre 1986cc 2 3 litre 2316cc 2 8 litre 2849cc **Volvo S40 and V50 Diesel Owner's Workshop Manual, 07-13** Chris Randall,2016-10 *Volvo S70, V70 & C70 Service and Repair Manual* Jex RM,2014 **Chilton's Repair & Tune-up Guide, Volvo 1970-83**, 1983 Manual, Valve Repair and Maintenance for Naval Service United States. Navy Department. Bureau of Ships,1949 *Volvo 1944-1968 Workshop Manual Pv444, Pv544 (P110), P1800, Pv445, P122 (P120 & Amazon), P210, P130, P220, 144, 142 & 145* Floyd Clymer,2008-06 Covers the Volkswagen 1200 1968 77 1300 and 1300A 1968 1975 1500 1968 1970 1302 1285cc 1970 1972 1302S and LS 1584cc 1970 1972 1303 1285cc 1972 1975 Karmann Ghia 1968 1974 **Volvo S40 & V40 Service and Repair Manual** Mark Coombs,Spencer Drayton,2005-01-01 S40 Saloon V40 Estate inc T4 special limited editions Does NOT cover new S40 V50 range introduced Mar 2004 or bi fuel models Petrol 1 6 litre 1588cc 1 8 litre 1731 1783 1834cc 1 9 litre 1855cc 2 0 litre 1948cc inc GDI Turbo Volvo 142, 144 and 145 Owner Workshop Manual John Harold Haynes,2012-10-01 An owners workshop manual for the Volvo 142 144 and 145 *Volvo 240 Service Manual* Bentley Publishers,2011-04 The Volvo 240 Service Manual 1983 1993 is a comprehensive source of service information and specifications for Volvo 240 and

other Volvo 200 series cars built from model years 1983 through 1993 Whether you re a professional technician or a do it yourself Volvo owner this manual will help you understand maintain and repair systems on the Volvo 240 Volvo 200 series and 240 models covered in this repair manual 1983 1985 DL GL 1983 1985 Turbo 1986 1993 240 240 DL Volvo 200 series and 240 gasoline engines covered in this repair manual B21F B21F T Turbo B23F B230F Volvo V 70 & S80 Martynn Randall,2006 In this book Martyn Randall provides a service and repair manual for the Volvo V70 and Volvo S80 automobile

Volvo 160 Series, 1968-75 R. M. Clarke,1998-09 Includes Engine fuel cooling systems ignition clutch gearbox overdrive automatic transmission suspension hubs steering gear brakes electrics bodywork plus buyers guide Covers models 164 164E 164TE **Volvo Service Manual** Volvo, Aktiebolaget,1962 **Volvo 240 Service Manual 1983 Through 1993** Bentley Publishers,1993 Vehicle Maintenance

The Enigmatic Realm of **Volvo D12 Engine Repair Manual Valve Cover**: Unleashing the Language is Inner Magic

In a fast-paced digital era where connections and knowledge intertwine, the enigmatic realm of language reveals its inherent magic. Its capacity to stir emotions, ignite contemplation, and catalyze profound transformations is nothing in short supply of extraordinary. Within the captivating pages of **Volvo D12 Engine Repair Manual Valve Cover** a literary masterpiece penned by way of a renowned author, readers embark on a transformative journey, unlocking the secrets and untapped potential embedded within each word. In this evaluation, we shall explore the book's core themes, assess its distinct writing style, and delve into its lasting impact on the hearts and minds of people who partake in its reading experience.

https://apps.mitogames.com.br/book/Resources/Documents/unique_global_imports_manual_simulation_journals.pdf

Table of Contents Volvo D12 Engine Repair Manual Valve Cover

1. Understanding the eBook Volvo D12 Engine Repair Manual Valve Cover
 - The Rise of Digital Reading Volvo D12 Engine Repair Manual Valve Cover
 - Advantages of eBooks Over Traditional Books
2. Identifying Volvo D12 Engine Repair Manual Valve Cover
 - Exploring Different Genres
 - Considering Fiction vs. Non-Fiction
 - Determining Your Reading Goals
3. Choosing the Right eBook Platform
 - Popular eBook Platforms
 - Features to Look for in an Volvo D12 Engine Repair Manual Valve Cover
 - User-Friendly Interface
4. Exploring eBook Recommendations from Volvo D12 Engine Repair Manual Valve Cover
 - Personalized Recommendations
 - Volvo D12 Engine Repair Manual Valve Cover User Reviews and Ratings
 - Volvo D12 Engine Repair Manual Valve Cover and Bestseller Lists

5. Accessing Volvo D12 Engine Repair Manual Valve Cover Free and Paid eBooks
 - Volvo D12 Engine Repair Manual Valve Cover Public Domain eBooks
 - Volvo D12 Engine Repair Manual Valve Cover eBook Subscription Services
 - Volvo D12 Engine Repair Manual Valve Cover Budget-Friendly Options
6. Navigating Volvo D12 Engine Repair Manual Valve Cover eBook Formats
 - ePub, PDF, MOBI, and More
 - Volvo D12 Engine Repair Manual Valve Cover Compatibility with Devices
 - Volvo D12 Engine Repair Manual Valve Cover Enhanced eBook Features
7. Enhancing Your Reading Experience
 - Adjustable Fonts and Text Sizes of Volvo D12 Engine Repair Manual Valve Cover
 - Highlighting and Note-Taking Volvo D12 Engine Repair Manual Valve Cover
 - Interactive Elements Volvo D12 Engine Repair Manual Valve Cover
8. Staying Engaged with Volvo D12 Engine Repair Manual Valve Cover
 - Joining Online Reading Communities
 - Participating in Virtual Book Clubs
 - Following Authors and Publishers Volvo D12 Engine Repair Manual Valve Cover
9. Balancing eBooks and Physical Books Volvo D12 Engine Repair Manual Valve Cover
 - Benefits of a Digital Library
 - Creating a Diverse Reading Collection Volvo D12 Engine Repair Manual Valve Cover
10. Overcoming Reading Challenges
 - Dealing with Digital Eye Strain
 - Minimizing Distractions
 - Managing Screen Time
11. Cultivating a Reading Routine Volvo D12 Engine Repair Manual Valve Cover
 - Setting Reading Goals Volvo D12 Engine Repair Manual Valve Cover
 - Carving Out Dedicated Reading Time
12. Sourcing Reliable Information of Volvo D12 Engine Repair Manual Valve Cover
 - Fact-Checking eBook Content of Volvo D12 Engine Repair Manual Valve Cover
 - Distinguishing Credible Sources
13. Promoting Lifelong Learning

- Utilizing eBooks for Skill Development
 - Exploring Educational eBooks
14. Embracing eBook Trends
- Integration of Multimedia Elements
 - Interactive and Gamified eBooks

Volvo D12 Engine Repair Manual Valve Cover Introduction

In this digital age, the convenience of accessing information at our fingertips has become a necessity. Whether its research papers, eBooks, or user manuals, PDF files have become the preferred format for sharing and reading documents. However, the cost associated with purchasing PDF files can sometimes be a barrier for many individuals and organizations. Thankfully, there are numerous websites and platforms that allow users to download free PDF files legally. In this article, we will explore some of the best platforms to download free PDFs. One of the most popular platforms to download free PDF files is Project Gutenberg. This online library offers over 60,000 free eBooks that are in the public domain. From classic literature to historical documents, Project Gutenberg provides a wide range of PDF files that can be downloaded and enjoyed on various devices. The website is user-friendly and allows users to search for specific titles or browse through different categories. Another reliable platform for downloading Volvo D12 Engine Repair Manual Valve Cover free PDF files is Open Library. With its vast collection of over 1 million eBooks, Open Library has something for every reader. The website offers a seamless experience by providing options to borrow or download PDF files. Users simply need to create a free account to access this treasure trove of knowledge. Open Library also allows users to contribute by uploading and sharing their own PDF files, making it a collaborative platform for book enthusiasts. For those interested in academic resources, there are websites dedicated to providing free PDFs of research papers and scientific articles. One such website is Academia.edu, which allows researchers and scholars to share their work with a global audience. Users can download PDF files of research papers, theses, and dissertations covering a wide range of subjects. Academia.edu also provides a platform for discussions and networking within the academic community. When it comes to downloading Volvo D12 Engine Repair Manual Valve Cover free PDF files of magazines, brochures, and catalogs, Issuu is a popular choice. This digital publishing platform hosts a vast collection of publications from around the world. Users can search for specific titles or explore various categories and genres. Issuu offers a seamless reading experience with its user-friendly interface and allows users to download PDF files for offline reading. Apart from dedicated platforms, search engines also play a crucial role in finding free PDF files. Google, for instance, has an advanced search feature that allows users to filter results by file type. By specifying the file type as "PDF," users can find websites that offer free PDF downloads on a specific topic. While downloading Volvo D12 Engine Repair

Manual Valve Cover free PDF files is convenient, its important to note that copyright laws must be respected. Always ensure that the PDF files you download are legally available for free. Many authors and publishers voluntarily provide free PDF versions of their work, but its essential to be cautious and verify the authenticity of the source before downloading Volvo D12 Engine Repair Manual Valve Cover. In conclusion, the internet offers numerous platforms and websites that allow users to download free PDF files legally. Whether its classic literature, research papers, or magazines, there is something for everyone. The platforms mentioned in this article, such as Project Gutenberg, Open Library, Academia.edu, and Issuu, provide access to a vast collection of PDF files. However, users should always be cautious and verify the legality of the source before downloading Volvo D12 Engine Repair Manual Valve Cover any PDF files. With these platforms, the world of PDF downloads is just a click away.

FAQs About Volvo D12 Engine Repair Manual Valve Cover Books

1. Where can I buy Volvo D12 Engine Repair Manual Valve Cover books? Bookstores: Physical bookstores like Barnes & Noble, Waterstones, and independent local stores. Online Retailers: Amazon, Book Depository, and various online bookstores offer a wide range of books in physical and digital formats.
2. What are the different book formats available? Hardcover: Sturdy and durable, usually more expensive. Paperback: Cheaper, lighter, and more portable than hardcovers. E-books: Digital books available for e-readers like Kindle or software like Apple Books, Kindle, and Google Play Books.
3. How do I choose a Volvo D12 Engine Repair Manual Valve Cover book to read? Genres: Consider the genre you enjoy (fiction, non-fiction, mystery, sci-fi, etc.). Recommendations: Ask friends, join book clubs, or explore online reviews and recommendations. Author: If you like a particular author, you might enjoy more of their work.
4. How do I take care of Volvo D12 Engine Repair Manual Valve Cover books? Storage: Keep them away from direct sunlight and in a dry environment. Handling: Avoid folding pages, use bookmarks, and handle them with clean hands. Cleaning: Gently dust the covers and pages occasionally.
5. Can I borrow books without buying them? Public Libraries: Local libraries offer a wide range of books for borrowing. Book Swaps: Community book exchanges or online platforms where people exchange books.
6. How can I track my reading progress or manage my book collection? Book Tracking Apps: Goodreads, LibraryThing, and Book Catalogue are popular apps for tracking your reading progress and managing book collections. Spreadsheets: You can create your own spreadsheet to track books read, ratings, and other details.

7. What are Volvo D12 Engine Repair Manual Valve Cover audiobooks, and where can I find them? Audiobooks: Audio recordings of books, perfect for listening while commuting or multitasking. Platforms: Audible, LibriVox, and Google Play Books offer a wide selection of audiobooks.
8. How do I support authors or the book industry? Buy Books: Purchase books from authors or independent bookstores. Reviews: Leave reviews on platforms like Goodreads or Amazon. Promotion: Share your favorite books on social media or recommend them to friends.
9. Are there book clubs or reading communities I can join? Local Clubs: Check for local book clubs in libraries or community centers. Online Communities: Platforms like Goodreads have virtual book clubs and discussion groups.
10. Can I read Volvo D12 Engine Repair Manual Valve Cover books for free? Public Domain Books: Many classic books are available for free as they're in the public domain. Free E-books: Some websites offer free e-books legally, like Project Gutenberg or Open Library.

Find Volvo D12 Engine Repair Manual Valve Cover :

[unique global imports manual simulation journals](#)

uniforms of the united states army 1774 1889 in full color h a ogden

uniden bc95xlt owners manual

unit 28 business project management edexcel

[unipart austin morris mini 1959 79 workshop manual](#)

uniden mhs550 user guide

unison maintenance manual mag

[unisa may june 2014 examination timetable](#)

unit 14 acid and bases

[understanding statistics in the behavioral sciences 10th edition](#)

[understanding the historical books of the old testament ancient christian writers](#)

unholy hungers encountering the psychic vampire in ourselves & others

[understanding the war between the states](#)

understanding magnetism study guide

unit 9 test review world cultural geography

Volvo D12 Engine Repair Manual Valve Cover :

[intraoral press headgears a dr samantha wrighting short](#) - Jul 14 2023

web headgears is the first in intraoral press s dr samantha wrighting shorts series available exclusively as ebooks and on kindle a short intense account of facing getting orthodontic headgear the orthodontist puts the facebow on the tray in front of the patient

headgears a dr samantha wrighting short book 1 e pdf - Oct 05 2022

web jul 6 2023 headgears a dr samantha wrighting short book 1 e 1 5 downloaded from uniport edu ng on july 6 2023 by guest headgears a dr samantha wrighting short book 1 e thank you certainly much for downloading headgears a dr samantha wrighting short book 1 e most likely

the writing skill in english language episode 1 [youtube](#) - Sep 04 2022

web a simple explanation for the skill of writing of english language episode 1 [youtube](#) [youtube](#) [youtube](#) [youtube](#) [youtube](#) [youtube](#) [youtube](#) [youtube](#) [youtube](#) [youtube](#)

complete writing section in one shot cbse term 1 youtube - Jun 01 2022

web my official telegram channel worksheet here t me appedia5 writing skills youtube com playlist list pl3edzp7vtpwlsink5urizfrqymb

neuroscience inspired segmentation of handwritten words - Apr 30 2022

web jun 17 2011 the challenge of segmenting online handwritten tamil words has hardly been investigated in this paper we report a neuroscience inspired lexicon free approach to segment tamil words into its

raajkart - Jul 02 2022

web raajkart

headgears a dr samantha wrighting short 1 e orson scott - Aug 03 2022

web aug 14 2023 1 headgears a dr samantha wrighting short 1 e this is likewise one of the factors by obtaining the soft documents of this headgears a dr samantha wrighting short 1 e by online you might not require more epoch to spend to go to the ebook establishment as without difficulty as search for them

[headgears a dr samantha wrighting short book 1 e karl](#) - Apr 11 2023

web headgears a dr samantha wrighting short book 1 e as recognized adventure as capably as experience very nearly lesson amusement as with ease as bargain can be gotten by just checking out a book subject of the world

headgears a dr samantha wrighting short book 1 kindle edition - Jun 13 2023

web headgears a dr samantha wrighting short book 1 ebook aimes catherine amazon in kindle store

[headgears a dr samantha wrighting short book 1 e pdf](#) - Jan 28 2022

web headgeared a dr samantha wrighting short book 1 e 1 headgeared a dr samantha wrighting short book 1 e creating character arcs ender saga 01 ender s game braced in wedlock braced for seduction the braced experience speaker for the dead outlining your novel love and braces dreamlander brooke in braces structuring your novel

headgeared a dr samantha wrighting short book 1 e pdf - Mar 10 2023

web 1 headgeared a dr samantha wrighting short book 1 e creating short fiction aug 28 2020 distilled from decades of teaching and practice creating short fiction offers no nonsense advise on structure pacing dialogue getting ideas and much more the little book of research writing nov 30 2020

headgeared a dr samantha wrighting short book 1 english - Feb 09 2023

web may 3 2011 headgeared a dr samantha wrighting short book 1 english edition ebook aimes catherine amazon de kindle store

headgeared a dr samantha wrighting short book 1 - Aug 15 2023

web may 13 2011 buy headgeared a dr samantha wrighting short book 1 read kindle store reviews amazon com headgeared a dr samantha wrighting short book 1 kindle edition by aimes catherine professional

headgeared a dr samantha wrighting short book 1 e 2023 - May 12 2023

web short stories where maya goode explores childhood with an unfiltered lens from abuse mental illness and suicide to first love and unending compassion this is a short story of 4 800 words short girls jun 11 2022 winner of an american book award named one of the best books of the year by library journal a novel

headgeared a dr samantha wrighting short book 1 kindle edition - Feb 26 2022

web may 13 2011 headgeared a dr samantha wrighting short book 1 ebook aimes catherine amazon co uk kindle store

headgeared a dr samantha wrighting short book 1 english - Dec 07 2022

web compre headgeared a dr samantha wrighting short book 1 english edition de aimes catherine na amazon com br confira também os ebooks mais vendidos lançamentos e livros digitais exclusivos headgeared a dr samantha wrighting short book 1 english edition ebooks em inglês na amazon com br

headgeared a dr samantha wrighting short book 1 english - Nov 06 2022

web samantha wrighting short book 1 braced in wedlock a dr samantha wrighting novel kindle director richard stanley a covenant of witches was using my samantha the writer lan samantha chang afterword of o pioneers samantha wright np reviews grand blanc mi samantha read profiles facebook a dr samantha wrighting short intraoral press dark

headgeared a dr samantha wrighting short book 1 english - Dec 27 2021

web headgeared a dr samantha wrighting short book 1 english edition by catherine aimes book preview samantha harris geol1501 introduction to engineering geology sixteen years in sixteen

one reader writes summary enotes com - Mar 30 2022

web jun 1 2019 one reader writes was published in 1933 as part of ernest hemingway s third short story collection winner take nothing the collection includes eight stories that had previously been

headgeared a dr samantha wrighting short book 1 english - Jan 08 2023

web headgeared a dr samantha wrighting short book 1 english edition ebook aimes catherine amazon de kindle shop

2ndpuc physics exam blueprint 2022 2ndpuc physics model - Feb 18 2023

web blue print department of pre university education karnataka model question paper 2022 ii puc physics 33 time duration 3 hrs 15 minutes

analyze karnataka board 2nd puc physics blueprint - Mar 19 2023

web nov 24 2021 notes of puc 2nd year physics ii puc blue print and qp midterm pdf study material

cbse class 12 physics blue print studiestoday - May 21 2023

web sep 7 2023 cbse class 12 blueprint for physics physics could be troublesome for most of the students the lengthy derivation and tricky numerical can be hard to score

intermediate second year physics blue print pdf scribd - Jul 23 2023

web intermediate second year physics blue print free download as word doc doc docx pdf file pdf text file txt or read online for free

cbse class 12th blueprint 2024 subject wise blueprints pdfs - Jun 22 2023

web sep 12 2023 the central board of secondary education cbse will conduct the annual examination for class 12th from 15th february 2024 to 5th april 2024 cbse class 12

cbse class 12 blueprint 2024 science commerce arts - Apr 20 2023

web feb 3 2022 2ndpuc physics exam blueprint 2022 2ndpuc physics model papers 2022 sectionwise analysis simplifiedminds karnataka 150k subscribers subscribe 561 17k views 1 year

is blueprint of physics 2nd puc available online answers - Dec 04 2021

karnataka 1st puc physics blueprint 2024 pdf download here - May 09 2022

web sep 17 2022 puc i year physics only for reference mid term model print drive google com file d 1d7e7vfwuuo iqvfm 9f8v2tfomeae94e view usp drivesdkpuc

design of question paper ii puc physics 33 collegedekho - Sep 13 2022

web jan 16 2023 karnataka 2nd puc physics model paper 2023 karnataka school examination and assessment released the date sheet for the 2nd puc 2023 the

intermediate second year physics blue print documents and e - Feb 06 2022

web nov 9 2022 jntu 1st year 2nd mid online bitsfor physics on exam30 01 2013 cse yes karnataka board blue print for 2nd puc pcme science 2010 i want the blueprint of

karnataka 2nd puc blueprint 2024 download pdf getmyuni - Apr 08 2022

web download view intermediate second year physics blue print as pdf for free more details words 157 pages 1 preview full text

ii puc blue print and qp midterm pdf physics teachmint - Jan 17 2023

web sep 4 2023 to help you out in making a good exam strategy for physics here are the cbse class 12 physics blueprint 2024 syllabus you can decide which topic

karnataka 2nd puc physics model paper 2023 pdf download - Jul 11 2022

web september 12 2023 in 11th class karnataka 1st puc physics blueprint 2024 has been released by dpue kseab you can download the class 11 physics blueprint pdf

puc i year and ii year physics model blue print for mid term - Mar 07 2022

web physics inter 2nd year blue print 2022 ts inter 2nd year physics blue print 2022click the below link for physics important questions 2022 you tube vb

2nd puc physics blue print 2023 model paper 2023 youtube - Aug 24 2023

web dec 20 2022 website mpagr courses store for enquiry contact 9986555819you can check out our android app play google com store apps details id co

ii puc physics model question paper 2021 22 karnataka - Dec 16 2022

web sep 13 2023 physics 2nd pu physics youtube 0 00 9 00 blue print for midterm exam physics 2nd pu physics physics now easy vinayak lecturer

blue print for physics2 - Sep 25 2023

web blue print for physics2 committee prints may 29 2021 condensed matter physics may 09 2022 university physics volume 2 by openstax print version paperback b w

blue print for midterm exam physics 2nd pu - Oct 14 2022

web sep 15 2023 9 8k views 10 days ago hi students in this videowe are providing about 2ndpuc midterm exam physics blue printexplained by punarvi edu sanskar blueprint

physics inter 2nd year blue print 2022 ts inter 2nd year - Jan 05 2022

2ndpuc midterm exam 2023 physics subject blue print for - Aug 12 2022

web august 26 2023 in 12th class karnataka 2nd puc physics blueprint 2024 has been released by department of pre university education you can download the 2nd puc

karnataka 2nd puc physics blueprint 2024 download pdf - Jun 10 2022

web sep 12 2023 students can refer to the table below for the subject wise downloadable pdf links for karnataka 2nd puc blueprint 2024 for tamil marathi english it home

cbse class 12 physics blueprint 2024 syllabus new pattern - Nov 15 2022

web dec 22 2022 blue print for the physics question paper ii puc physics 33 instructions this blueprint must be used for setting question papers for all future

hospital design and development support johns hopkins - May 06 2022

web phase 1 hospital pre design hospital business plan review operating and governance model design strategy and vision alignment phase 2 hospital design and operations planning health care facilities design review administrative and operations planning clinical model and plan development phase 3 hospital construction commissioning

hospital archdaily - Jun 19 2023

web hospital top architecture projects recently published on archdaily the most inspiring residential architecture interior design landscaping urbanism and more from the world s best

hospital designing and planning springerlink - Aug 09 2022

web jan 5 2023 principles and phases to be followed are selection and purchase of the site land early employment of the architect functional and operational plan prepared before the architectural plan schematic designing and drawing of initial and rough outline preliminary allocation of the spaces and room layouts construction documents for

the hospital of the future rethinking architectural design to enable - Apr 17 2023

web dec 15 2021 the hospital of the future rethinking architectural design to enable new patient centered treatment concepts springerlink original article published 15 december 2021 the hospital of the future rethinking architectural design to enable new patient centered treatment concepts carlos amato leslie mccanne chengyuan yang

concept dutch hospital design - Jul 08 2022

web concept the phase in which a comprehensive concept takes shape is probably the most important of all a powerful concept determines the development of the design what s more a comprehensive concept incorporates future scenarios

presenting a conceptual model for designing hospital architecture - May 18 2023

web jun 30 2022 presenting a conceptual model for designing hospital architecture with a patient centered approach based on the patient s lived experience of sense of place in the therapeutic space pmc journal list j educ health promot v 11 2022 pmc9393952 as a library nlm provides access to scientific literature

past present and future hospital design rtf rethinking - Apr 05 2022

web foremost is the green concept where visual connectivity to greenery or nature or proximity to the natural atmosphere rendering freshness reducing fatigue and faster recoveries miniwiz builds modular hospital ward prototype at taipei hospital dezeen com20200604miniwiz taiwan modular hospital ward

a blueprint for smarter hospital design ibm - Feb 15 2023

web a blueprint for smarter hospital design this smart paper presents a proven and repeatable model to deliver a digitally enabled hospital and offers practical advice and guidance to those organisations contemplating such journeys through the lens of our smarter hospital digital blueprint

10 elements of the perfect hospital design architizer - Oct 23 2023

web 10 elements of the perfect hospital design 1 architecture campus design good campus planning and architecture allows the layout of streets building approach 2 welcoming design aesthetic good hospital design should reflect both the region and the visual and cultural ethos of 3 drop off

10 forward thinking design trends in hospitals today - Dec 13 2022

web jan 29 2021 10 forward thinking design trends in hospitals today even more so than cultural and historical events of the past the covid 19 pandemic will undoubtedly trigger a global transformation of healthcare design

concept to construction making intelligent hospital design work - Sep 10 2022

web mar 21 2023 a bespoke approach intelligent hospital design is essential if the government is to succeed in building 48 new hospitals this vision can be achieved quickly and innovatively if a collaborative and flexible approach is taken to standardisation learning needs to be shared and adapted to meet the unique needs of each project

applying the benefits of biophilic theory to hospital design - Mar 04 2022

web mar 2 2018 discussion and evaluation the aim of this article is to highlight the growing importance of a cultural change in the design of spaces aimed at reconnecting individuals with the patterns and processes of nature both in the urban context and in particular in healthcare spaces

reference architecture for healthcare design concepts - Sep 22 2023

web apr 1 2020 design concept provide a design blueprint for a single healthcare organization hospital day care facility rehabilitation facility etc and its partner network and establish an architecture development method for healthcare delivery domains allow us to determine architecture archetypes the how required for health as shown

pdf understand the design of general hospital researchgate - Jun 07 2022

web aug 10 2019 design architecture authors mazen fani al andalus university for medical sciences abstract abstract a hospital and other health facilities shall be planned and designed to observe appropriate

better healing from better hospital design harvard business review - Nov 12 2022

web oct 5 2015 better healing from better hospital design by yuhgo yamaguchi october 05 2015 bright beautiful lobbies featuring an atrium filled with local flora rooms with big windows and access to

design thinking as an approach for innovation in healthcare - Jul 20 2023

web design thinking has been increasingly adopted as an approach to support innovation in healthcare recent publications report design thinking application to various innovation projects across medical specialties including paediatrics psychiatry radiology gastroenterology oncology orthopaedics and surgery as well as to innovation in

medical and health interior design dezeen - Oct 11 2022

web nov 12 2023 the best healthcare interiors projects from around the world including hospitals clinics cancer care centres medical research buildings dentists and doctors surgeries and more

the guiding principles of hospital design and planning - Aug 21 2023

web 1 equipment dictates design design does not dictate equipment advisers sometimes forego critical equipment simply because they will not fit within a design or in a shell and core structure repurposed as a healthcare facility large heavy pieces of equipment like mris for example need to be positioned on an outside wall in the structure to

why hospital design matters a narrative review of built - Mar 16 2023

web aug 24 2021 with stakes this high considering how building design best supports healthcare services is important in this narrative review we outline why the built environment matters with particular focus on stroke care we also discuss challenges inherent in designing healthcare environments undertaking research and evaluating

the hospital of the future rethinking architectural design to enable - Jan 14 2023

web dec 15 2021 we developed a novel one of a kind design concept for the hospital of the future the envisioned facility is fully patient centered and strives for a workflow oriented design by clustering related functionalities and processes in defined hubs all located on the same floor and in close proximity to each other