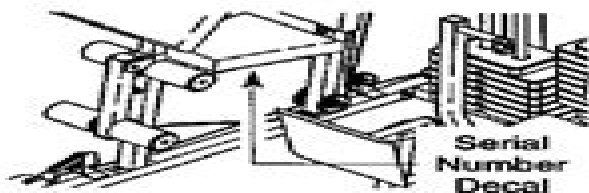


WEIDER® PRO POWER STACK

USER'S MANUAL

Model No. 831.159830
Serial No. _____

The serial number is found in the location shown below. Write the serial number in the space above.



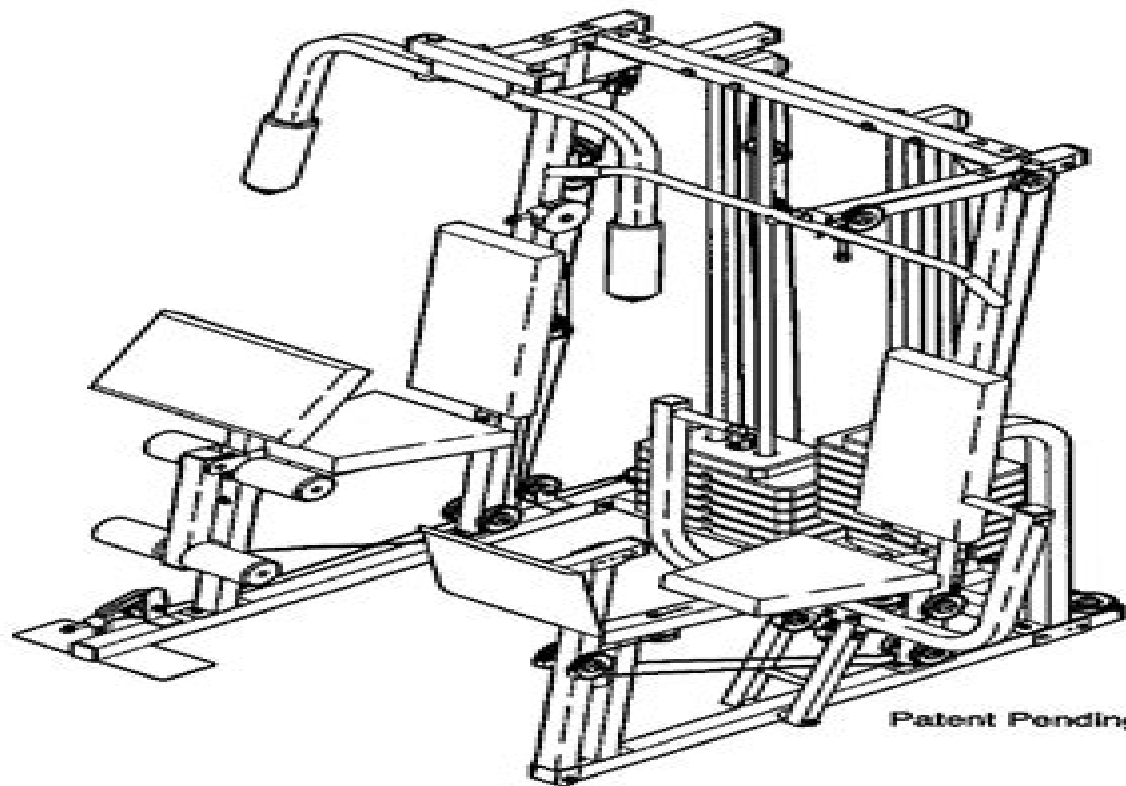
EXERCISE
EQUIPMENT

QUESTIONS

HELPLINE!

1-800-736-6879

SEARS, ROEBUCK AND CO.
HOFFMAN ESTATES, IL 60179



CAUTION

Read all instructions and warnings.
Do not use if you are injured or if you
have any medical conditions. Do not use if you
are under 18 years of age.



Visit our website at
www.weiderfitness.com
new products, prizes,
fitness tips, and much more!

Weider Manuals

LP Steffe



Weider Manuals:

The Church Manual First Congregational Church of Oakland, Cal,1881 **Karate Kid (1976-1978)** , Karate Kid 1 15
1976 1978 Karate Kid also known as Val Armorr has mastered every single form of unarmed combat in the 30th Century He
travels to the 20th Century and decides to stay there as he finds purpose in his life **Mergent Industrial Manual** ,2002
Historic Manual of the Reformed Church in the United States Joseph Henry Dubbs,1885 *Catalog of Copyright Entries.*
Third Series Library of Congress. Copyright Office,1971 *Paddles Up!* Arlene Chan,Susan Humphries,2009-05-25 Paddles
Up provides an in depth look at dragon boating from its beginnings in ancient China to the modern day prominence of
Canadian teams on the international scene as told in the words of top coaches of men s and women s teams experts and
enthusiasts and sports health professionals across Canada Contributing writers include Mike Haslam executive president
International Dragon Boat Federation Matthew Smith president Dragon Boat Canada Kamini Jain Vancouver Albert
MacDonald Halifax Jamie Hollins Pickering Matt Robert Montreal and Jim Farintosh Toronto Through legends history and
traditions to paddling tips and mental readiness and from choosing gear to exceptional achievements a battery of Canadian
dragon boat notables share their considerable knowledge in one authoritative volume [American Home](#) ,1977 [Arlene
Chan 4-Book Bundle](#) Arlene Chan,Susan Humphries,2016-03-18 Third generation Chinese Canadian Arlene Chan shares the
rich histories of Toronto s Chinese Canadian communities in this special four book bundle Includes The Chinese Community
in Toronto The history of the Chinese community in Toronto is rich with stories drawn from over 150 years of life in Canada
Stories photographs newspaper reports maps and charts will bring to life the little known and dark history of the Chinese
community showing how the Chinese make a significant contribution to the vibrant and diverse mosaic that makes Toronto
one of the most multicultural cities in the world The Chinese in Toronto from 1878 In 1894 Toronto s Chinese population
numbered 50 Today no less than seven Chinatowns serve the second largest visible minority in the city with a population of
half a million With their many achievements the Chinese have become a vibrant part of the diverse mosaic that makes
Toronto one of the most multicultural cities in the world Paddles Up Dragon Boat Racing in Canada Paddles Up provides an
in depth look at dragon boating from its beginnings in ancient China to the modern day prominence of Canadian teams on the
international scene as told in the words of top coaches of men s and women s teams experts and enthusiasts and sports
health professionals across Canada Spirit of the Dragon The Story of Jean Lumb The Order of Canada the country s highest
honour is awarded to those who have made a distinct contribution to Canadian life The late Jean Lumb received the Order of
Canada among other awards for her role in changing Canada s immigration laws that separated Chinese families and for her
contribution in saving Chinatowns across Canada **A Manual of Psychological Medicine** John Charles Bucknill,Daniel
Hack Tuke,1879 **Maryland Manual** ,1927 *The American Corporation Legal Manual* Edward Quinton
Keasbey,Abraham Van Doren Honeyman,Charles Louis Borgmeyer,1898 Compilation of the essential features of the statutory

law regulating the formation management and dissolution of general business corporations in America North Central and South and other countries of the world **Register and Manual of the State of Connecticut** Connecticut. Secretary of the State,1900 *A Manual of psychological medicine* Sir John Charles Bucknill,1879 **Canadian Men and Masculinities** Wayne Martino,Christopher John Greig,2012 Canadian Men and Masculinities Historical and Contemporary Perspectives is a provocative new volume that examines men and masculinity across Canadian history and culture and sets it against the broader context of neoliberal globalization This edited collection adopts a multi perspective social inquiry and interdisciplinary approach and takes into careful consideration the intersections of the social and historical construction of gender with race social class sexuality bodily abilities and other social justice factors The chief aim of this book is to examine from historical and contemporary perspectives the production and performance of men boys and embodied masculinity within the Canadian context Within this framework Canadian Men and Masculinities explores a range of issues including modern fatherhood black male athleticism indigenous masculinities wrestling and body building This volume will be a valuable resource for general readers and professionals in sociology history education and social and gender studies

Powers' Central Station Directory and Buyers' Manual ,1902 *Family Health* ,1976 *Pennsylvania German Manual* Abraham Reeser Horne,1875 **Smull's Legislative Hand Book and Manual of the State of Pennsylvania** John Augustus Smull,William P. Smull,Thomas Baumgardner Cochran,W. Harry Baker,1919 **Official Labor Directory and Manual of the Colorado State Federation of Labor, Affiliated with the American Federation of Labor** ,1907

Catalog of Copyright Entries. Part 1. [B] Group 2. Pamphlets, Etc. New Series Library of Congress. Copyright Office,1930

Thank you utterly much for downloading **Weider Manuals**. Most likely you have knowledge that, people have look numerous period for their favorite books taking into account this Weider Manuals, but stop occurring in harmful downloads.

Rather than enjoying a good PDF gone a mug of coffee in the afternoon, on the other hand they juggled similar to some harmful virus inside their computer. **Weider Manuals** is open in our digital library an online permission to it is set as public therefore you can download it instantly. Our digital library saves in fused countries, allowing you to acquire the most less latency time to download any of our books in the manner of this one. Merely said, the Weider Manuals is universally compatible in imitation of any devices to read.

https://apps.mitogames.com.br/About/uploaded-files/Download_PDFS/volkswagen%20golf%20manual%20free.pdf

Table of Contents Weider Manuals

1. Understanding the eBook Weider Manuals
 - The Rise of Digital Reading Weider Manuals
 - Advantages of eBooks Over Traditional Books
2. Identifying Weider Manuals
 - Exploring Different Genres
 - Considering Fiction vs. Non-Fiction
 - Determining Your Reading Goals
3. Choosing the Right eBook Platform
 - Popular eBook Platforms
 - Features to Look for in an Weider Manuals
 - User-Friendly Interface
4. Exploring eBook Recommendations from Weider Manuals
 - Personalized Recommendations
 - Weider Manuals User Reviews and Ratings
 - Weider Manuals and Bestseller Lists

5. Accessing Weider Manuals Free and Paid eBooks
 - Weider Manuals Public Domain eBooks
 - Weider Manuals eBook Subscription Services
 - Weider Manuals Budget-Friendly Options
6. Navigating Weider Manuals eBook Formats
 - ePub, PDF, MOBI, and More
 - Weider Manuals Compatibility with Devices
 - Weider Manuals Enhanced eBook Features
7. Enhancing Your Reading Experience
 - Adjustable Fonts and Text Sizes of Weider Manuals
 - Highlighting and Note-Taking Weider Manuals
 - Interactive Elements Weider Manuals
8. Staying Engaged with Weider Manuals
 - Joining Online Reading Communities
 - Participating in Virtual Book Clubs
 - Following Authors and Publishers Weider Manuals
9. Balancing eBooks and Physical Books Weider Manuals
 - Benefits of a Digital Library
 - Creating a Diverse Reading Collection Weider Manuals
10. Overcoming Reading Challenges
 - Dealing with Digital Eye Strain
 - Minimizing Distractions
 - Managing Screen Time
11. Cultivating a Reading Routine Weider Manuals
 - Setting Reading Goals Weider Manuals
 - Carving Out Dedicated Reading Time
12. Sourcing Reliable Information of Weider Manuals
 - Fact-Checking eBook Content of Weider Manuals
 - Distinguishing Credible Sources
13. Promoting Lifelong Learning

- Utilizing eBooks for Skill Development
 - Exploring Educational eBooks
14. Embracing eBook Trends
- Integration of Multimedia Elements
 - Interactive and Gamified eBooks

Weider Manuals Introduction

In today's digital age, the availability of Weider Manuals books and manuals for download has revolutionized the way we access information. Gone are the days of physically flipping through pages and carrying heavy textbooks or manuals. With just a few clicks, we can now access a wealth of knowledge from the comfort of our own homes or on the go. This article will explore the advantages of Weider Manuals books and manuals for download, along with some popular platforms that offer these resources. One of the significant advantages of Weider Manuals books and manuals for download is the cost-saving aspect. Traditional books and manuals can be costly, especially if you need to purchase several of them for educational or professional purposes. By accessing Weider Manuals versions, you eliminate the need to spend money on physical copies. This not only saves you money but also reduces the environmental impact associated with book production and transportation. Furthermore, Weider Manuals books and manuals for download are incredibly convenient. With just a computer or smartphone and an internet connection, you can access a vast library of resources on any subject imaginable. Whether you're a student looking for textbooks, a professional seeking industry-specific manuals, or someone interested in self-improvement, these digital resources provide an efficient and accessible means of acquiring knowledge. Moreover, PDF books and manuals offer a range of benefits compared to other digital formats. PDF files are designed to retain their formatting regardless of the device used to open them. This ensures that the content appears exactly as intended by the author, with no loss of formatting or missing graphics. Additionally, PDF files can be easily annotated, bookmarked, and searched for specific terms, making them highly practical for studying or referencing. When it comes to accessing Weider Manuals books and manuals, several platforms offer an extensive collection of resources. One such platform is Project Gutenberg, a nonprofit organization that provides over 60,000 free eBooks. These books are primarily in the public domain, meaning they can be freely distributed and downloaded. Project Gutenberg offers a wide range of classic literature, making it an excellent resource for literature enthusiasts. Another popular platform for Weider Manuals books and manuals is Open Library. Open Library is an initiative of the Internet Archive, a non-profit organization dedicated to digitizing cultural artifacts and making them accessible to the public. Open Library hosts millions of books, including both public domain works and contemporary titles. It also allows users to borrow digital copies of certain books for a limited period, similar to a library.

lending system. Additionally, many universities and educational institutions have their own digital libraries that provide free access to PDF books and manuals. These libraries often offer academic texts, research papers, and technical manuals, making them invaluable resources for students and researchers. Some notable examples include MIT OpenCourseWare, which offers free access to course materials from the Massachusetts Institute of Technology, and the Digital Public Library of America, which provides a vast collection of digitized books and historical documents. In conclusion, Weider Manuals books and manuals for download have transformed the way we access information. They provide a cost-effective and convenient means of acquiring knowledge, offering the ability to access a vast library of resources at our fingertips. With platforms like Project Gutenberg, Open Library, and various digital libraries offered by educational institutions, we have access to an ever-expanding collection of books and manuals. Whether for educational, professional, or personal purposes, these digital resources serve as valuable tools for continuous learning and self-improvement. So why not take advantage of the vast world of Weider Manuals books and manuals for download and embark on your journey of knowledge?

FAQs About Weider Manuals Books

How do I know which eBook platform is the best for me? Finding the best eBook platform depends on your reading preferences and device compatibility. Research different platforms, read user reviews, and explore their features before making a choice. Are free eBooks of good quality? Yes, many reputable platforms offer high-quality free eBooks, including classics and public domain works. However, make sure to verify the source to ensure the eBook credibility. Can I read eBooks without an eReader? Absolutely! Most eBook platforms offer webbased readers or mobile apps that allow you to read eBooks on your computer, tablet, or smartphone. How do I avoid digital eye strain while reading eBooks? To prevent digital eye strain, take regular breaks, adjust the font size and background color, and ensure proper lighting while reading eBooks. What the advantage of interactive eBooks? Interactive eBooks incorporate multimedia elements, quizzes, and activities, enhancing the reader engagement and providing a more immersive learning experience. Weider Manuals is one of the best book in our library for free trial. We provide copy of Weider Manuals in digital format, so the resources that you find are reliable. There are also many Ebooks of related with Weider Manuals. Where to download Weider Manuals online for free? Are you looking for Weider Manuals PDF? This is definitely going to save you time and cash in something you should think about. If you trying to find then search around for online. Without a doubt there are numerous these available and many of them have the freedom. However without doubt you receive whatever you purchase. An alternate way to get ideas is always to check another Weider Manuals. This method for see exactly what may be included and adopt these ideas to your book. This site will almost certainly help you save time and effort, money and stress. If you are looking for free books then you

really should consider finding to assist you try this. Several of Weider Manuals are for sale to free while some are payable. If you arent sure if the books you would like to download works with for usage along with your computer, it is possible to download free trials. The free guides make it easy for someone to free access online library for download books to your device. You can get free download on free trial for lots of books categories. Our library is the biggest of these that have literally hundreds of thousands of different products categories represented. You will also see that there are specific sites catered to different product types or categories, brands or niches related with Weider Manuals. So depending on what exactly you are searching, you will be able to choose e books to suit your own need. Need to access completely for Campbell Biology Seventh Edition book? Access Ebook without any digging. And by having access to our ebook online or by storing it on your computer, you have convenient answers with Weider Manuals To get started finding Weider Manuals, you are right to find our website which has a comprehensive collection of books online. Our library is the biggest of these that have literally hundreds of thousands of different products represented. You will also see that there are specific sites catered to different categories or niches related with Weider Manuals So depending on what exactly you are searching, you will be able to choose ebook to suit your own need. Thank you for reading Weider Manuals. Maybe you have knowledge that, people have search numerous times for their favorite readings like this Weider Manuals, but end up in harmful downloads. Rather than reading a good book with a cup of coffee in the afternoon, instead they juggled with some harmful bugs inside their laptop. Weider Manuals is available in our book collection an online access to it is set as public so you can download it instantly. Our digital library spans in multiple locations, allowing you to get the most less latency time to download any of our books like this one. Merely said, Weider Manuals is universally compatible with any devices to read.

Find Weider Manuals :

[volkswagen golf manual free](#)

vizio hdtv10a manual

volkswagon jetta repair manual

vmware vshield administration guide

volkswagen bora user manual

vocabulary builder course 6 student edition

[volkswagen golf 2015 service manual](#)

~~volkswagen polo manual functii~~

vocabulary workshop test booklet level e form b

vnx implementation student lab guide

[vnl 670 troubleshooting electrical manual](#)

[vizio user manual e240ar](#)

[volkswagen manual transmission cars](#)

[volkswagen lt service manual](#)

[volkswagen sedan 1994 manual](#)

Weider Manuals :

the fear bubble harness fear and live without limits - Dec 27 2021

web thanks to the revolutionary concept of the fear bubble ant has learned to harness the power of fear and understands the positive force that it can become fear gives ant his edge allowing him to seek out life s challenges whether that is at home pushing himself every day to be the best father he can be or stuck in the death zone on top

the fear bubble harness fear and live without limits - Apr 30 2022

web jun 11 2020 thanks to the revolutionary concept of the fear bubble ant has learned to harness the power of fear and understands the positive force that it can become fear gives ant his edge allowing him to seek out life s challenges whether that is at home pushing himself every day to be the best father he can be or stuck in the death zone on top

the fear bubble harness fear and live without limits harness fear - Jan 28 2022

web sep 5 2019 synopsis author few people know more about the different manifestations of fear than special forces point man ant middleton but rather than being a negative energy he uses it to drive him on

the fear bubble harness fear and live without limits - Feb 26 2022

web powerful unflinching and an inspirational call to action the fear bubble is essential reading for anyone who wants to push themselves further harness their fears and conquer their own personal everests

the fear bubble harness fear and live without limits - May 12 2023

web in his groundbreaking new book ant middleton thrillingly retells the story of his death defying climb of everest and reveals the concept of the fear bubble showing how it can be used in our lives to help us break through our limits

the fear bubble harness fear and live without limits - Jul 14 2023

web thanks to the revolutionary concept of the fear bubble ant has learned to harness the power of fear and understands the positive force that it can become fear gives ant his edge allowing him to seek out life s challenges whether that is at home pushing himself every day to be the best father he can be or stuck in the death zone on top

the fear bubble harness fear and live without limits - Mar 10 2023

web the brilliant inspirational next book by the author of the incredible no 1 bestseller first man in without fear there s no

challenge without

the fear bubble harness fear and live without limits kindle - Dec 07 2022

web sep 5 2019 in prison he was thrust into the unknown cut off from friends and family isolated with thoughts of failure and dread for his future and at the top of everest in desperate life threatening conditions he was forced to face up to his greatest fear of leaving his wife and children without a husband and father

the fear bubble harness fear and live without limits google - Oct 05 2022

web the fear bubble harness fear and live without limits audiobook written by ant middleton narrated by ant middleton get instant access to all your favorite books no monthly commitment listen online or offline with android ios web chromecast and google assistant try google play audiobooks today

[the fear bubble harness fear and live without limits](#) - Nov 06 2022

web powerful unflinching and an inspirational call to action the fear bubble is essential reading for anyone who wants to push themselves further harness their fears and conquer their own personal everests

[the fear bubble harness fear and live without limits](#) - Feb 09 2023

web sep 1 2020 thanks to the revolutionary concept of the fear bubble ant has learned to harness the power of fear and understands the positive force that it can become fear gives ant his edge allowing him to seek out life s challenges whether that is at home pushing himself every day to be the best father he can be or stuck in the death zone on top

the fear bubble harness fear and live without limits - Sep 04 2022

web the fear bubble harness fear and live without limits audible audiobook unabridged ant middleton author narrator harpercollins publishers limited publisher 7 577 ratings 1 best seller in climbing mountaineering see all formats and editions

[the fear bubble harness fear and live without limits](#) - Jun 13 2023

web thanks to the revolutionary concept of the fear bubble ant has learned to harness the power of fear and understands the positive force that it can become fear gives ant his edge allowing him to seek out life s challenges whether that is at home pushing himself every day to be the best father he can be or stuck in the death zone on top of

[the fear bubble harness fear and live without limits google](#) - Jan 08 2023

web the fear bubble harness fear and live without limits ebook written by ant middleton read this book using google play books app on your pc android ios devices download for offline reading highlight bookmark or take notes while you read the fear bubble harness fear and live without limits

the fear bubble harness fear and live without limits - Apr 11 2023

web sep 1 2020 thanks to the revolutionary concept of the fear bubble ant has learned to harness the power of fear and understands the positive force that it can become fear gives ant his edge allowing him to seek out life s challenges whether

that is at home pushing himself every day to be the best father he can be or stuck in the death zone on top
the fear bubble harness fear and live without limits - Aug 03 2022

web the fear bubble harness fear and live without limits middleton ant amazon com tr kitap

the fear bubble harness fear and live without limits İngilizce - Mar 30 2022

web the fear bubble harness fear and live without limits middleton ant amazon com tr

the fear bubble harness fear and live without limits - Jun 01 2022

web ant middleton the fear bubble harness fear and live without limits audio cd unabridged 31 oct 2019 by ant middleton
author reader 7 932 ratings see all formats and editions kindle edition 3 99 read with our free app audiobook 0 00 free with
your audible trial hardcover 23 76 49 used from 1 16 10 new from 10 99 paperback

the fear bubble harness fear and live without limits - Aug 15 2023

web buy the fear bubble harness fear and live without limits by middleton ant isbn 9780008194666 from amazon s book store
everyday low prices and free delivery on eligible orders

the fear bubble harness fear and live without limits by ant - Jul 02 2022

web sep 30 2020 product details the brilliant inspirational next book by the author of the incredible no 1 bestseller first man
in without fear there s no challenge without challenge there s no growth without growth there s no life

7 2 sensory perception medicine libretxts - Dec 29 2021

web health nervous system review science spot getting the books health nervous system review science spot now is not type
of challenging means you could not on your own

neuroscience wikipedia - Jun 03 2022

web the nervous system acquires information from sensory organs processes it and then may initiate a response either
through motor function leading to movement or in a change in

applesauce pouch lead recall brands affected poisoning - Oct 27 2021

neuron action potential description video khan academy - Aug 05 2022

web overview what is the nervous system your nervous system guides almost everything you do think say or feel it controls
complicated processes like movement thought and

16 6 nervous system biology libretxts - May 02 2022

web updated on august 15 2023 medically reviewed by nicholas r metrus md the nervous system is an organ system that
handles communication in the body there are four

health nervous system review science spot - Nov 27 2021

web three recalled cinnamon applesauce products containing extremely high levels of lead have been linked to 22 toddlers falling ill according to the centers for disease control

[nervous system what it is types symptoms cleveland clinic](#) - Jul 04 2022

web neuroscience is the scientific study of the nervous system the brain spinal cord and peripheral nervous system its functions and disorders it is a multidisciplinary science

[overview of neuron structure types of neurons khan academy](#) - Nov 08 2022

web jan 11 2022 google reviews praise the neurologist in singapore for being a premium private hospital with excellent facilities and medical practitioners they are also very well

11 46 nervous system health k12 libretxts - Jan 30 2022

web sensory neurons can have either a free nerve endings or b encapsulated endings photoreceptors in the eyes such as rod cells are examples of c specialized receptor

cellular connections found between nervous and immune systems - Feb 28 2022

web keeping the nervous system healthy the nervous system is such an important part of your body you want it to work at its best so that you can be at your best your nervous

health nervous system review science spot download only - Aug 17 2023

web health nervous system review science spot science progress apr 18 2020 socialism sep 23 2020 the leopard s spots feb 26 2021 medico surgical review and

the science spot - Oct 19 2023

web i have listed below several activities and worksheets related to the body systems that i used during my health unit for 7th 8th graders i no longer teach health but am providing the lessons for those of you who do teach the topics skeletal muscular system

nervous system news sciencedaily - Jul 16 2023

web nov 16 2023 medical research on the nervous system from the growth of nerve cells to neurodegeneration read all about the spinal cord the brain and neurons your source

health nervous system review science spot - Sep 18 2023

web health nervous system review 5 6 10 11 12 14 15 16 17 down largest part of the neuron that contains the nucleus sends messages from your brain and spinal cord to

[stanford medicine magazine explores the brain and nervous system](#) - May 14 2023

web verified by psychology today what is neuroscience reviewed by psychology today staff neuroscience examines the structure and function of the human brain and nervous

what you need to know about the nervous system verywell - Apr 01 2022

web dec 21 2020 the new research published in cell reveals the cells that mediate the crosstalk between the nervous and immune systems it also paves the way for more

neuroscience school of biological sciences ntu - Jan 10 2023

web oct 31 2018 nervous system scientists share how they re working in a variety of settings ai in health sciences real world data analytics ai for dr

the nervous system facts function and diseases live science - Sep 06 2022

web the size of the action potential will usually be the same that s the all or none property of action potentials the duration of an action potential is also usually consistent for any

10 best neurologist in singapore for your nervous system s - Oct 07 2022

web mar 15 2023 by james horton contributions from alina bradford kim ann zimmermann last updated 15 march 2023

discover the human body s central nervous system and a

neuroscience psychology today - Apr 13 2023

web neuroscience examines the structure and function of the human brain and nervous system neuroscientists use cellular and molecular biology anatomy and physiology human

about neuroscience nichd nichd eunice kennedy shriver - Feb 11 2023

web in ntu neuroscience cluster we study brain and behaviour at multi level complexity starting from behaviour to the clinical applications of brain science our groups have

how neuroscience is breaking out of the lab nature - Dec 09 2022

web the bipolar multipolar and other structures of neurons exist throughout the peripheral and central nervous system the only type of neuron which is limited to a specific system

neuroscience psychology today singapore - Mar 12 2023

web oct 1 2018 neuroscience is the study of the nervous system the nervous system includes the brain spinal cord and networks of sensory and motor nerve cells called

nervous system physiology and disease health and medicine - Jun 15 2023

web oct 14 2021 a themed section of the new issue of stanford medicine magazine the most mysterious organ unlocking the secrets of the brain provides new insights into

kawasaki zsr 250 service manual - Jul 02 2022

web kawasaki zsr 250 service manual page size 595 x 842 pts a4 rotated 0 degrees this manual can be viewed on any computer as well as zoomed and printed makes it easy to diagnose and repair problems with your machines electrical system

kawasaki zxr250 service manual repair manual wiring - Feb 09 2023

web english service manual repair manual and wiring diagrams for for motorcycles kawasaki zxr250 instant download language english format pdf file pages 348 compatibility all versions of windows mac ios bb android etc printable yes no shipping costs instant downloadable manual

kawasaki zxr 250 ex 250 1990 1996 service repair manual - Jun 01 2022

web this is kawasaki zxr 250 ex 250 1990 1991 1992 1993 1994 1995 1996 service repair workshop manual this manual contains full service and repair instruction used by mechanics around the world all major topics are covered complete

kawasaki zxr 250 ex 250 1990 1996 repair service manual pdf - Nov 06 2022

web this professional technical manual contains service maintenance and troubleshooting information for your kawasaki zxr 250 ex 250 1990 1991 1992 1993 1994 1995 1996 covering all models engines trim transmissions types

kawasaki zxr250 service repair manuals on motor era - Aug 15 2023

web motor era offers service repair manuals for your kawasaki zxr250 download your manual now kawasaki zxr250 service repair manuals complete list of kawasaki zxr250 motorcycle service repair manuals kawasaki zxr250 ex250 1990 1996 workshop service repair manual kawasaki zxr250 1990 1996 workshop service

kawasaki zxr250 90 96 supplementary service manual pdf - Mar 10 2023

web kawasaki zxr250 90 96 supplementary service manual pdf free download as pdf file pdf text file txt or read online for free

kawasaki zxr 250 1990 1996 service manual supplement pdf - Dec 07 2022

web zxr 250 repair manuals english 1997 kawasaki zxr 250 service manual zip contains 11 pdf files crankshaft transmission final drive suspension steering frame electrical system fuel system cooling system engine top end clutch engine lubrication system engine removal installation 1997

1990 1996 kawasaki zxr 250 service repair manual download - Feb 26 2022

web description 1990 1996 kawasaki zxr 250 service repair manual download mt066229 this manual presented for you in electronic format you can just print out the page you need then dispose of it when you have completed your task

zxr250 manual read download pdf motor vehicle land - Sep 04 2022

web instant download kawasaki ninja 250r ex250 gpz gpx zz r zxr 250 manual motorcycles specs kawasaki zxr 250 1990 is known as motorcycles with name year kawasaki zxr250 1990 1996 service repair manual download choose to pdf download kawasaki klx 150 service manual get download kawasaki zxr 250 service manual pdf

kawasaki zxr250 motorcycle service manual worldcat org - Jan 08 2023

web kawasaki zxr250 motorcycle service manual worldcat org when you visit our website it stores data on your device in

what is commonly called cookies information about how you interact with the site

kawasaki zxr250 ex250 1990 1996 repair service manual - Dec 27 2021

web this kawasaki zxr250 ex250 1990 1996 repair service manual mt065377 provides detailed instructions illustrations and diagrams to help you perform maintenance and repairs on your vehicle it contains step by step instructions detailed illustrations diagrams and the necessary diagrams or pictures this manual is an ideal resource for the

kawasaki zxr 250 service manual pdf scribd - Jun 13 2023

web kawasaki zxr 250 service manual free download as pdf file pdf text file txt or read online for free kawasaki

kawasaki zxr250 service manual repair manual wiring - Apr 11 2023

web sep 17 2020 653 views 2 years ago english service manual repair manual and wiring diagrams for motorcycles

kawasaki zxr250 servicemanuals info more more

kawasaki zxr 250 1990 1996 repair manual supplement - Mar 30 2022

web kawasaki zxr 250 1990 1996 repair manual supplement download service repair owner maintenance manuals for

kawasaki zxr 250 1990 1996 repair manual supplement downloaded 25853 times ico scoalasoferigalat honda yamaha suzuki manual i aprilia manuale officina cmx 250 virago 535 suzuki dr600 ford select

kawasaki zxr250 ex250 1990 1996 workshop service manual - Jan 28 2022

web this kawasaki zxr250 ex250 1990 1996 workshop service manual mt050419 is an electronic format you can just print out the page you need then dispose of it when you have completed your task this manual has detailed illustrations as well as step by step written instructions with the necessary diagrams or pictures it is this level of detail along with

kawasaki zxr250 service repair manual kawasaki zxr250 - Oct 05 2022

web you fix cars has motorcycle service repair manuals for your kawasaki zxr250 download your manual now kawasaki

zxr250 service repair manuals complete list of kawasaki zxr250 motorcycle service repair manuals kawasaki zxr250 ex250 1990 1996 workshop service repair manual kawasaki zxr250 1990 1996 workshop

kawasaki zz r250 manuals enduro team - Jul 14 2023

web owners service manual for kawasaki zz r 250 service manual service manual kawasaki zxr250 ex250f 1988 1991 service manual kawasaki zxr250 ex250h 1992 2007 review kawasaki zz r 250

kawasaki zxr 250 ex 250 1990 1996 service repair manual - Apr 30 2022

web this kawasaki zxr 250 ex 250 1990 1996 service repair manual mt051910 is a comprehensive guide to servicing and repairing the kawasaki zxr 250 ex 250 from 1990 to 1996 it contains detailed instructions and step by step diagrams for all workshop procedures as well as a full list of specifications and detailed illustrations

zz r series zxr250 service repair workshop manuals - Aug 03 2022

web our zsr250 zz r series kawasaki workshop manuals contain in depth maintenance service and repair information get your manual now zz r series zsr250 service repair workshop manuals

owner s manuals service manuals kawasaki owners center - May 12 2023

web get quick and easy access to information specific to your kawasaki vehicle download official owner s manuals and order service manuals for kawasaki vehicles