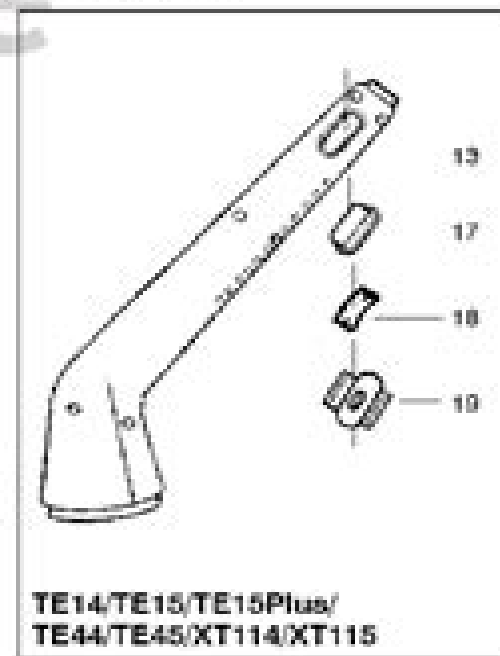
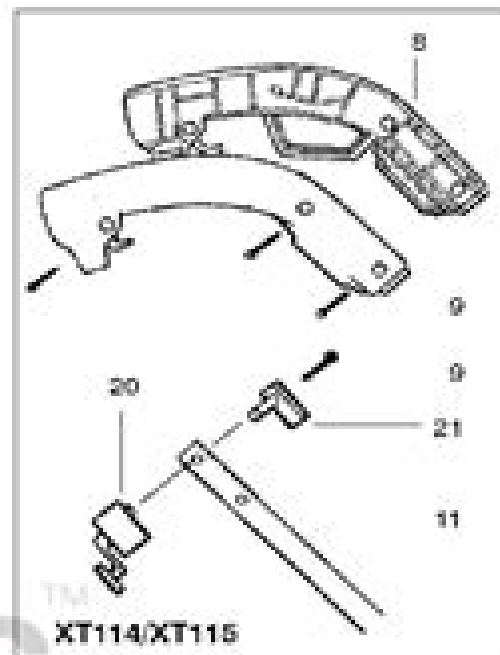
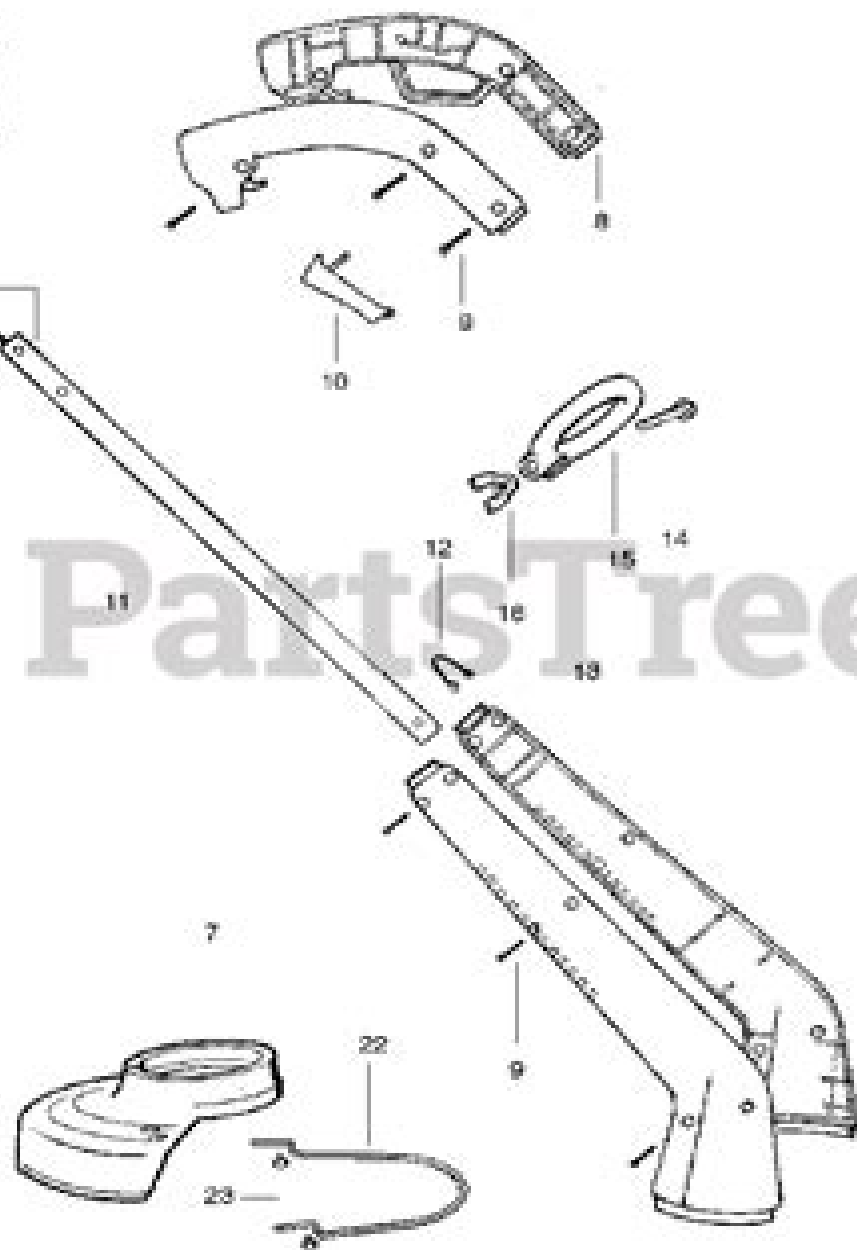
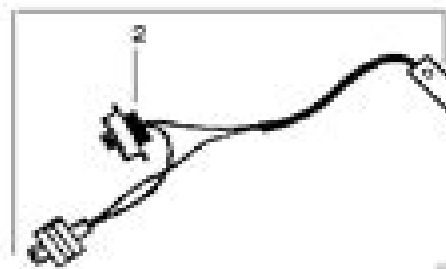


▲ WARNING

All repairs, adjustments and maintenance not described in the Operator's Manual must be performed by qualified service personnel.



Weed Eater Xt 114 Manual

John Haynes



Weed Eater Xt 114 Manual:

Consumers Digest ,1989 Master Service Manual Poulan/Weed Eater (Firm),White Consolidated Industries,1987

Yamaha XT, TT, and SR 500 Singles Owners Workshop Manual, No. 342 John Haynes,1992-06-29 Haynes
disassembles every subject vehicle and documents every step with thorough instructions and clear photos Haynes repair
manuals are used by the pros but written for the do it yourselfer

Whispering the Secrets of Language: An Mental Journey through **Weed Eater Xt 114 Manual**

In a digitally-driven world wherever monitors reign great and instant interaction drowns out the subtleties of language, the profound strategies and psychological nuances concealed within words frequently go unheard. Yet, located within the pages of **Weed Eater Xt 114 Manual** a fascinating literary value sporting with fresh thoughts, lies an extraordinary journey waiting to be undertaken. Published by a talented wordsmith, this charming opus encourages readers on an introspective journey, softly unraveling the veiled truths and profound affect resonating within the fabric of every word. Within the psychological depths of the touching review, we will embark upon a sincere exploration of the book is key subjects, dissect their fascinating writing type, and fail to the effective resonance it evokes heavy within the recesses of readers hearts.

https://apps.mitogames.com.br/public/Resources/default.aspx/woodworking_do_it_yourself_guide_to_roll_around_utility_cart.pdf

Table of Contents Weed Eater Xt 114 Manual

1. Understanding the eBook Weed Eater Xt 114 Manual
 - The Rise of Digital Reading Weed Eater Xt 114 Manual
 - Advantages of eBooks Over Traditional Books
2. Identifying Weed Eater Xt 114 Manual
 - Exploring Different Genres
 - Considering Fiction vs. Non-Fiction
 - Determining Your Reading Goals
3. Choosing the Right eBook Platform
 - Popular eBook Platforms
 - Features to Look for in an Weed Eater Xt 114 Manual
 - User-Friendly Interface
4. Exploring eBook Recommendations from Weed Eater Xt 114 Manual
 - Personalized Recommendations

- Weed Eater Xt 114 Manual User Reviews and Ratings
- Weed Eater Xt 114 Manual and Bestseller Lists
- 5. Accessing Weed Eater Xt 114 Manual Free and Paid eBooks
 - Weed Eater Xt 114 Manual Public Domain eBooks
 - Weed Eater Xt 114 Manual eBook Subscription Services
 - Weed Eater Xt 114 Manual Budget-Friendly Options
- 6. Navigating Weed Eater Xt 114 Manual eBook Formats
 - ePub, PDF, MOBI, and More
 - Weed Eater Xt 114 Manual Compatibility with Devices
 - Weed Eater Xt 114 Manual Enhanced eBook Features
- 7. Enhancing Your Reading Experience
 - Adjustable Fonts and Text Sizes of Weed Eater Xt 114 Manual
 - Highlighting and Note-Taking Weed Eater Xt 114 Manual
 - Interactive Elements Weed Eater Xt 114 Manual
- 8. Staying Engaged with Weed Eater Xt 114 Manual
 - Joining Online Reading Communities
 - Participating in Virtual Book Clubs
 - Following Authors and Publishers Weed Eater Xt 114 Manual
- 9. Balancing eBooks and Physical Books Weed Eater Xt 114 Manual
 - Benefits of a Digital Library
 - Creating a Diverse Reading Collection Weed Eater Xt 114 Manual
- 10. Overcoming Reading Challenges
 - Dealing with Digital Eye Strain
 - Minimizing Distractions
 - Managing Screen Time
- 11. Cultivating a Reading Routine Weed Eater Xt 114 Manual
 - Setting Reading Goals Weed Eater Xt 114 Manual
 - Carving Out Dedicated Reading Time
- 12. Sourcing Reliable Information of Weed Eater Xt 114 Manual
 - Fact-Checking eBook Content of Weed Eater Xt 114 Manual

- Distinguishing Credible Sources
13. Promoting Lifelong Learning
 - Utilizing eBooks for Skill Development
 - Exploring Educational eBooks
 14. Embracing eBook Trends
 - Integration of Multimedia Elements
 - Interactive and Gamified eBooks

Weed Eater Xt 114 Manual Introduction

In this digital age, the convenience of accessing information at our fingertips has become a necessity. Whether its research papers, eBooks, or user manuals, PDF files have become the preferred format for sharing and reading documents. However, the cost associated with purchasing PDF files can sometimes be a barrier for many individuals and organizations. Thankfully, there are numerous websites and platforms that allow users to download free PDF files legally. In this article, we will explore some of the best platforms to download free PDFs. One of the most popular platforms to download free PDF files is Project Gutenberg. This online library offers over 60,000 free eBooks that are in the public domain. From classic literature to historical documents, Project Gutenberg provides a wide range of PDF files that can be downloaded and enjoyed on various devices. The website is user-friendly and allows users to search for specific titles or browse through different categories. Another reliable platform for downloading Weed Eater Xt 114 Manual free PDF files is Open Library. With its vast collection of over 1 million eBooks, Open Library has something for every reader. The website offers a seamless experience by providing options to borrow or download PDF files. Users simply need to create a free account to access this treasure trove of knowledge. Open Library also allows users to contribute by uploading and sharing their own PDF files, making it a collaborative platform for book enthusiasts. For those interested in academic resources, there are websites dedicated to providing free PDFs of research papers and scientific articles. One such website is Academia.edu, which allows researchers and scholars to share their work with a global audience. Users can download PDF files of research papers, theses, and dissertations covering a wide range of subjects. Academia.edu also provides a platform for discussions and networking within the academic community. When it comes to downloading Weed Eater Xt 114 Manual free PDF files of magazines, brochures, and catalogs, Issuu is a popular choice. This digital publishing platform hosts a vast collection of publications from around the world. Users can search for specific titles or explore various categories and genres. Issuu offers a seamless reading experience with its user-friendly interface and allows users to download PDF files for offline reading. Apart from dedicated platforms, search engines also play a crucial role in finding free PDF files. Google, for instance, has an advanced search

feature that allows users to filter results by file type. By specifying the file type as "PDF," users can find websites that offer free PDF downloads on a specific topic. While downloading Weed Eater Xt 114 Manual free PDF files is convenient, its important to note that copyright laws must be respected. Always ensure that the PDF files you download are legally available for free. Many authors and publishers voluntarily provide free PDF versions of their work, but its essential to be cautious and verify the authenticity of the source before downloading Weed Eater Xt 114 Manual. In conclusion, the internet offers numerous platforms and websites that allow users to download free PDF files legally. Whether its classic literature, research papers, or magazines, there is something for everyone. The platforms mentioned in this article, such as Project Gutenberg, Open Library, Academia.edu, and Issuu, provide access to a vast collection of PDF files. However, users should always be cautious and verify the legality of the source before downloading Weed Eater Xt 114 Manual any PDF files. With these platforms, the world of PDF downloads is just a click away.

FAQs About Weed Eater Xt 114 Manual Books

How do I know which eBook platform is the best for me? Finding the best eBook platform depends on your reading preferences and device compatibility. Research different platforms, read user reviews, and explore their features before making a choice. Are free eBooks of good quality? Yes, many reputable platforms offer high-quality free eBooks, including classics and public domain works. However, make sure to verify the source to ensure the eBook credibility. Can I read eBooks without an eReader? Absolutely! Most eBook platforms offer webbased readers or mobile apps that allow you to read eBooks on your computer, tablet, or smartphone. How do I avoid digital eye strain while reading eBooks? To prevent digital eye strain, take regular breaks, adjust the font size and background color, and ensure proper lighting while reading eBooks. What the advantage of interactive eBooks? Interactive eBooks incorporate multimedia elements, quizzes, and activities, enhancing the reader engagement and providing a more immersive learning experience. Weed Eater Xt 114 Manual is one of the best book in our library for free trial. We provide copy of Weed Eater Xt 114 Manual in digital format, so the resources that you find are reliable. There are also many Ebooks of related with Weed Eater Xt 114 Manual. Where to download Weed Eater Xt 114 Manual online for free? Are you looking for Weed Eater Xt 114 Manual PDF? This is definitely going to save you time and cash in something you should think about. If you trying to find then search around for online. Without a doubt there are numerous these available and many of them have the freedom. However without doubt you receive whatever you purchase. An alternate way to get ideas is always to check another Weed Eater Xt 114 Manual. This method for see exactly what may be included and adopt these ideas to your book. This site will almost certainly help you save time and effort, money and stress. If you are looking for free books then you really should consider finding to assist you try this. Several of Weed

Eater Xt 114 Manual are for sale to free while some are payable. If you arent sure if the books you would like to download works with for usage along with your computer, it is possible to download free trials. The free guides make it easy for someone to free access online library for download books to your device. You can get free download on free trial for lots of books categories. Our library is the biggest of these that have literally hundreds of thousands of different products categories represented. You will also see that there are specific sites catered to different product types or categories, brands or niches related with Weed Eater Xt 114 Manual. So depending on what exactly you are searching, you will be able to choose e books to suit your own need. Need to access completely for Campbell Biology Seventh Edition book? Access Ebook without any digging. And by having access to our ebook online or by storing it on your computer, you have convenient answers with Weed Eater Xt 114 Manual To get started finding Weed Eater Xt 114 Manual, you are right to find our website which has a comprehensive collection of books online. Our library is the biggest of these that have literally hundreds of thousands of different products represented. You will also see that there are specific sites catered to different categories or niches related with Weed Eater Xt 114 Manual So depending on what exactly you are searching, you will be able to choose ebook to suit your own need. Thank you for reading Weed Eater Xt 114 Manual. Maybe you have knowledge that, people have search numerous times for their favorite readings like this Weed Eater Xt 114 Manual, but end up in harmful downloads. Rather than reading a good book with a cup of coffee in the afternoon, instead they juggled with some harmful bugs inside their laptop. Weed Eater Xt 114 Manual is available in our book collection an online access to it is set as public so you can download it instantly. Our digital library spans in multiple locations, allowing you to get the most less latency time to download any of our books like this one. Merely said, Weed Eater Xt 114 Manual is universally compatible with any devices to read.

Find Weed Eater Xt 114 Manual :

[woodworking do it yourself guide to roll around utility cart](#)

women writing resistance essays on latin america and the caribbean

word biblical commentary vol 16 ezra nehemiah

women in management champions of change

[work smarter not harder or ebook free download](#)

workplace communications the basics 6th edition

[wonderware mes manual](#)

wonderen van de bloemen

women in israel race gender and citizenship

women practicing buddhism american experiences author peter n gregory published on january 2008

[work shop manual zf4hp14](#)

[women in the american west cultures in the american west](#)

[wordpress plugin development beginners guide](#)

words their way teacher guide

wondershare editor 3 7 0 12 final key

Weed Eater Xt 114 Manual :

stpm seni visual papan seraga moden - Sep 20 2022

web papan seraga moden mempunyai banyak kelebihan berbanding papan peraga konvensional bincangkan tiga kelebihan papan moden

maksud papan peraga wp lalalera gob ar - Jun 29 2023

web maksud papan peraga maksud papan peraga 2 downloaded from wp lalalera gob ar on 2020 11 03 by guest pengajaran pai balita anak anak remaja keluarga dan masyarakat metode ceramah dan metode metode mengajar lainnya daftar isi buku ini meliputi bab i metodologi pengajaran agama

pemanfaatan alat peraga dalam pembelajaran tips untuk guru - Jan 25 2023

web nov 2 2023 temukan cara alat peraga meningkatkan pemahaman siswa mereka bisa berupa model gambar alat alat sains papan tulis interaktif perangkat lunak atau aplikasi yang bersifat edukatif dan berbagai jenis materi yang dapat memvisualisasikan konsep yang diajarkan alat peraga memiliki peran yang penting dalam pembelajaran termasuk

papan peraga dalam pameran disebut materipinter com - Apr 27 2023

web aug 17 2023 papan peraga dalam pameran disebut merupakan media yang digunakan untuk menampilkan informasi secara visual kepada pengunjung pameran papan peraga ini biasanya berbentuk panel besar yang ditempatkan

contoh alat peraga pengertian tujuan manfaat jenis - Mar 27 2023

web sep 4 2023 alat peraga adalah semua atau segala sesuatu yang dapat digunakan dan dapat dimanfaatkan untuk menjelaskan konsep konsep pembelajaran dari materi yang bersifat abstrak atau kurang jelas menjadi nyata dan jelas sehingga dapat merangsang pikiran perasaan perhatian serta minat para siswa yang menjurus kearah terjadinya

seni visual pra u grafik blogger - Nov 22 2022

web nov 24 2011 reka bentuk papan peraga reka bentuk ini melibatkan rekabentuk papan tanda sebanduk poster risalah dan lain lain reka bentuk papan tanda dan komunikasi adalah rekaan visual yang bertujuan untuk mempertingkatkan promosi dan jualan sesuatu produk yang ditawarkan

jual papan peraga terlengkap harga murah oktober 2023 - Dec 24 2022

web jual beli buku papan peraga terlengkap secara online dengan mudah dan cepat kapanpun dimanapun di tokopedia sekarang beli koleksi papan peraga online lengkap edisi harga terbaru oktober 2023 di tokopedia promo pengguna baru kurir instan bebas ongkir cicilan 0

pengertian alat peraga alat peraga skripsi penggunaan alat peraga - Feb 11 2022

web jan 29 2020 adapun alat peraga yang dapat digunakan yaitu papan berpaku gambar 2 1 alat peraga papan berpaku papan berpaku merupakan alat bantu dalam pembelajaran matematika yang dipergunakan untuk mengenal serta memahami konsep geometri seperti konsep bangun datar menghitung keliling dan

maksud papan peraga - May 17 2022

web maksud papan peraga media pengajaran mar 26 2021 the masterbook of self confidence oct 13 2022 manakah yang lebih kamu bertubuh gendut atau kurus kering ternyata kedua duanya sama menariknya tergantung dari manakah kamu memandang ketauhilah apa yang diperbandingkan oleh manusia dan apa yang membuat seseorang

maksud papan peraga - Jul 31 2023

web 4 maksud papan peraga 2023 10 07 customers make more sales and boost your bottom line find the business side explore the variety of social media options and research where your target audience hangs out collect your tools discover ways to simplify posting in multiple locations and how to monitor activity establish your presence

pengertian alat peraga pakdosen co id - May 29 2023

web oct 19 2023 alat peraga adalah semua atau apa pun yang dapat digunakan dan dapat digunakan untuk menjelaskan konsep pembelajaran dari materi abstrak atau tidak jelas dengan jelas dan jelas sehingga siswa dapat berpikir merasakan khawatir itu dapat merangsang minat anda

papan peraga in english with contextual examples mymemory - Oct 22 2022

web contextual translation of papan peraga into english human translations with examples board size motherboard kitchen sink width of board

maksud papan peraga jaarverslag funx nl - Jun 17 2022

web maksud papan peraga decoding maksud papan peraga revealing the captivating potential of verbal expression in a time characterized by interconnectedness and an insatiable thirst for knowledge the captivating potential of verbal expression has emerged as a formidable force its capability to evoke sentiments

papan peraga dalam pameran disebut dengan - Apr 15 2022

web papan peraga dalam pameran disebut dengan masukkan hpk di sini dan pisahkan dengan koma automotive accident lawyers accident automotive automotive insurance company cheap automotive insurance automotive insurance automotive

insurance quotes automotive insurance new york automotive insurance companies automotive
[pdf penggunaan alat peraga dalam](#) - Aug 20 2022

web sep 3 2022 pengertian alat peraga diagram papan dan kartu 14 sementara itu ronald h anderson juga menuturkan bahwa alat peraga yang termasuk dalam material adalah auditif

hakikat alat peraga perpustakaan ut - Mar 15 2022

web alat peraga ialah suatu alat biasanya tidak dalam bentuk perangkat set yang jika digunakan dapat membantu memudahkan memahami suatu konsep secara tidak langsung yang termasuk dalam kelompok ini ialah model carta dan poster contoh alat yang termasuk kelompok ini ialah model mata

pengertian alat peraga menurut para ahli jenis tujuan dan manfaatnya - Jul 19 2022

web feb 27 2020 alat peraga yang dipakai dalam proses belajar mengajar dalam garis besarnya memiliki manfaat menambahkan kegiatan belajar para siswa menghemat waktu belajar memberikan alasan yang wajar untuk belajar sebab dapat membangkitkan minat perhatian dan aktivitas para siswa

papan peraga moden mempunyai banyak kelebihan berbanding papan peraga - Sep 01 2023

web bincangkan tiga kelebihan papan peraga moden papan peraga moden papan peraga konvensional banyak paparan maklumat papan peraga elektronik boleh memaparkan banyak iklan dalam sesuatu masa dan bertukar ganti menggunakan teknologi computer maklumat sedikit dan terhad papan peraga konvensional terhad

papan peraga dalam pameran disebut dengan tauapa com - Oct 02 2023

web jun 19 2023 papan peraga adalah salah satu alat presentasi yang sering digunakan dalam berbagai acara termasuk pameran papan peraga dalam pameran sering digunakan untuk memperkenalkan produk atau jasa menunjukkan keunggulan hingga memberikan informasi tentang suatu hal yang ingin disampaikan

papan peraga dalam pameran disebut rsudsyamsudin org - Feb 23 2023

web papan peraga dalam pameran disebut adalah co id istilah pameran tentu sudah sering kita dengar dan kita lihat pameran ini merupakan pertunjukan seni di tempat tempat umum selain itu keberadaan pameran seharusnya tidak hanya memenangkan apresiasi dari masyarakat saja tetapi ada banyak nilai penting yang bisa menjadi nilai positif bagi

pons gmbh pons basiswörterbuch türkisch kitabı ve fiyatı - Jul 02 2022

web pons un pratik cep boyutundaki türkçe sözlüğü en güncel türkçe kelime dağarcığı da dahil olmak üzere 50 000 türkçe anahtar kelime ve kelime öbeği içerir türkiye ye seyahat etmek ve ülkeyle ilgili ipuçlarıyla günlük yaşamda sahte paslardan pratik olarak kaçınmak için

pons basiswörterbuch türkisch buch thalia - Dec 07 2022

web das türkisch wörterbuch von pons im praktischen taschenformat enthält 50 000 türkische stichwörter und wendungen

darunter den aktuellsten türkischen wortschatz ideal für reisen in die türkei und praktisch im alltag fettnäpfchen vermeiden mit landeskundlichen tipps extras für eine erfolgreiche kommunikation nützliche

pons basiswörterbuch türkisch türkisch deutsch de pdf - Dec 27 2021

web pons basiswörterbuch türkisch türkisch deutsch de pdf upload dona v robertson 2 11 downloaded from voto uneal edu br on august 17 2023 by dona v robertson deutsch de pdf what you taking into consideration to read pons basiswörterbuch türkisch türkisch deutsch de pdf pons basiswörterbuch türkisch türkisch deutsch de pdf

türkisch deutsch türkisch Übersetzung pons - May 12 2023

web Übersetzung deutsch türkisch für türkisch im pons online wörterbuch nachschlagen gratis vokabeltrainer verbtabelle aussprachefunktion

pons basiswörterbuch türkisch 50 000 stichwörter und amazon de - Nov 06 2022

web dieser artikel pons basiswörterbuch türkisch 50 000 stichwörter und wendungen türkisch deutsch deutsch türkisch 16 95 16 95 erhalte es bis mittwoch 17

pons basiswörterbuch türkisch mit großem extrateil amazon de - Feb 09 2023

web pons basiswörterbuch türkisch mit großem extrateil nützliche redewendungen türkisch deutsch deutsch türkisch amazon de bücher bücher schule lernen fremdsprachen sprachkurse neu 14 99 preisangaben inkl ust abhängig von der lieferadresse kann die ust an der kasse variieren weitere informationen lieferung für

wörterbücher türkisch deutsch Übersetzung pons - Jun 13 2023

web Übersetzung türkisch deutsch für wörterbücher im pons online wörterbuch nachschlagen gratis vokabeltrainer verbtabelle aussprachefunktion

pons kompaktwörterbuch türkisch türkisch deutsch deutsch - Mar 30 2022

web pons kompaktwörterbuch türkisch türkisch deutsch deutsch türkisch mit online wörterbuch 9783125179745

pons basiswörterbuch türkisch İzçağ kitabevi - Jun 01 2022

web pons praxiswörterbuch türkisch neu 225 00 sepete ekle detayları göster pons kompaktwörterbuch türkisch nb 1 122 00 sepete ekle detayları göster wahrig wörterbuch der deutschen sprache devamını oku detayları göster bilgiler

pons praxiswörterbuch türkisch türkisch deutsch deutsch amazon de - Oct 05 2022

web pons praxiswörterbuch türkisch türkisch deutsch deutsch türkisch mit online wörterbuch türkisch deutsch deutsch türkisch mit sprachführer und online wörterbuch isbn 9783125177697 kostenloser versand für

pons basiswörterbuch türkisch türkisch deutsch de download - Jan 28 2022

web pons basiswörterbuch türkisch türkisch deutsch de wie heißt eigentlich eigentlich auf türkisch mar 16 2023 was heisst eigentlich eigentlich auf türkisch bei dieser und ähnlichen fragen versagt in den meisten fallen das wörterbuch denn diese

kleinen wortchen die abtonungspartikeln die beim horer signale wie erstaunen

[pons deutsch türkisch Übersetzer](#) - Jul 14 2023

web verwandte inhalte deutsch türkisch wörterbuch pons deutsch türkisch Übersetzer jetzt neu mit vielen praktischen funktionen pons nutzer profitieren seit 10 jahren von unserer online textübersetzung in aktuell 38 sprachrichtungen doch jetzt ist es zeit für ein upgrade

pons basiswörterbuch türkisch 50 000 stichwörter und - Mar 10 2023

web das türkisch wörterbuch von pons im praktischen taschenformat enthält 50 000 türkische stichwörter und wendungen darunter den aktuellsten türkischen wortschatz ideal für reisen in die türkei und praktisch im alltag fettnäpfchen

[amazon com pons basiswörterbuch türkisch türkisch deutsch deutsch](#) - Aug 03 2022

web jul 13 2015 optimal für unterwegs einfach in der tasche oder im auto aufbewahren top read more report translate review to english mehmet emin karagoz 5 0 out of 5 stars pons basiswörterbuch türkisch deutsch reviewed in germany on march 12 2021 verified purchase i received it as nice and clean good seller read more

pons Übersetzungen die nummer 1 für türkisch deutsch - Aug 15 2023

web das online wörterbuch türkisch deutsch von pons ist ein kostenloses online nachschlagewerk für alle suche ein wort oder einen satz indem du etwas in das suchfeld tippst du kannst auswählen ob du in beiden sprachrichtungen zugleich oder in einer bestimmten sprachrichtung suchen möchtest

[pons basiswörterbuch türkisch tak com tr](#) - Apr 30 2022

web pons basiswörterbuch türkisch en cazip fiyat ile türk alman kitabevi nde keşfetmek için hemen tıklayınız kitap 90 212 293 77 31 cafe 90 533 131 29 19 info tak com tr

pons kompaktwörterbuch türkisch türkisch deutsch amazon de - Sep 04 2022

web sep 14 2015 pons kompaktwörterbuch türkisch türkisch deutsch deutsch türkisch das umfassende wörterbuch für alltag und beruf mit online wörterbuch zum deutsch türkisch mit online wörterbuch kıyğı osman nazim isbn 9783125179745 kostenloser versand für alle bücher mit versand und verkauf duch amazon

pons gmbh pons basiswörterbuch türkisch türkisch deutsch deutsch - Apr 11 2023

web pons gmbh pons basiswörterbuch türkisch türkisch deutsch deutsch türkisch yorumlarını inceleyin trendyol a özel indirimli fiyata satın alın

pons basiswörterbuch türkisch türkisch deutsch deutsch amazon de - Jan 08 2023

web pons basiswörterbuch türkisch türkisch deutsch deutsch türkisch mit download wörterbuch mit download wörterbuch türkisch deutsch deutsch türkisch isbn 9783125177383 kostenloser versand für alle bücher

pons das kleine wörterbuch türkisch türkisch deutsch amazon de - Feb 26 2022

web pons das kleine wörterbuch türkisch türkisch deutsch deutsch türkisch isbn 9783125160545 kostenloser versand für alle bücher mit versand und verkauf durch amazon

[bled 6e 5e nouveau programme pdf staging mphetech](#) - Nov 13 2021

bled 6e 5e nouveau programme by daniel berlion - Feb 26 2023

web books like bled 6e 5e nouveau programme find out more recommended books with our spot on books app bled 6e 5e nouveau programme synopsis ratings video

bled 6e 5e orthographe conjugaison vocabulaire memento - Jul 02 2023

web bled 6e 5e hachette education allemand 6e lv1 ou 5e lv2 le bled hachette education official index to the times cengage learning index with coverage from 1906 to 1980

bled 6e 5e nouveau programme pdf uniport edu - Feb 14 2022

web jun 7 2023 bled 6e 5e nouveau programme de daniel berlion bled 6e 5e achat vente livre daniel berlion hachette bled anglais college nouveau programme 2016 pdf

[bled 6e 5e nouveau programme stage gapinc com](#) - Jun 01 2023

web nouveau programme 2016 télécharger innocence viole pdf livre toley cahier bled français 4e nouveau programme 2016 bled 6e 5e nouveau programme soutien

bled 6e 5e livre élève édition 2009 hachette - Sep 04 2023

web aug 21 2016 télécharger bled 6e 5e nouveau programme livre pdf français online gratuit home grajsko kopališče bled welcome natural bathing area on the sunny

bled 6e 5e nouveau programme pdf copy - Jun 20 2022

web apr 1 2009 un manuel de référence qui intègre les notions du nouveau programme pour les classes de 6e 5e un outil utilisable quelles que soient les pratiques

bled 6e 5e nouveau programme pdf uniport edu - Mar 18 2022

web jun 9 2023 bled 6e 5e nouveau programme 1 5 downloaded from uniport edu ng on june 9 2023 by guest bled 6e 5e nouveau programme thank you unquestionably

bled 6e 5e nouveau programme pdf bexpert udh - Jul 22 2022

web apr 9 2023 this is likewise one of the factors by obtaining the soft documents of this bled 6e 5e nouveau programme pdf by online you might not require more get older to

[bled 6e 5e nouveau programme 2022 mail botswanalaws](#) - Apr 18 2022

web apr 15 2023 allemand 6e lv1 ou 5e lv2 le bled marie christine despas 2016 08 24 conforme au nouveau programme du

collège toutes les notions du programme de

télécharger corrigé bled 6e 5e gratuit pdf pdfprof com - Dec 15 2021

web bled 6e 5e nouveau programme downloaded from staging mphasetech com by guest barron cummings index to the times prentice hall in today s economy gaining

télécharger bled 6e 5e nouveau programme ebook pdf - Aug 03 2023

web la collection de reference en orthographe un manuel de référence qui intègre les notions du nouveau programme pour les classes de 6e 5e un outil

scribbled 6e 5e nouveau programme imagebank scroll in - Oct 05 2023

web scribbled 6e 5e nouveau programme an enchanting fictional value brimming with natural thoughts lies an immersive symphony waiting to be embraced constructed by a

bled 6e 5e nouveau programme pdf full pdf election - Nov 25 2022

web april 22nd 2020 bled 6e 5e nouveau programme édition 2009 aperçu rapide caribou français cm1 cycle 3 livre unique croque lignes méthode de lecture cp cahier d

bled 6e 5e nouveau programme pdf uniport edu - Aug 23 2022

web bled 6e 5e nouveau programme right here we have countless books bled 6e 5e nouveau programme and collections to check out we additionally find the money for

bled 6e 5e nouveau programme by daniel berlion - Apr 30 2023

web nouveau programme au bled 6e 5e nouveau programme soutien scolaire andr michoux cahier bled anglais 5e nouveau programme 2016 télécharger cahier bled

bled 6e 5e nouveau programme by daniel berlion - Oct 25 2022

web content includes an updated operative dentistry chapter a new section on sketching teeth in occlusion and a chart on geometric tooth shapes covered on the national board

bled 6e 5e nouveau programme synopsis ratings video - Jan 28 2023

web bled 6e 5e nouveau programme right here we have countless books bled 6e 5e nouveau programme and collections to check out we additionally give variant types

bled 6e 5e nouveau programme pdf uniport edu - Sep 23 2022

web jul 22 2023 bled 6e 5e nouveau programme 1 5 downloaded from uniport edu ng on july 22 2023 by guest bled 6e 5e nouveau programme yeah reviewing a book bled

bled 6e 5e livre élève edition 2009 amazon com - May 20 2022

web bled 6e 5e hachette education conforme au nouveau programme du collège toutes les notions du programme de 1 année

avec de nombreux exemples traduits les phrases

bled 6e 5e nouveau programme pdf logb fonedog - Dec 27 2022

web bled 6e 5e nouveau programme pdf pages 3 17 bled 6e 5e nouveau programme pdf upload jason m grant 3 17

downloaded from election tv standardmedia co ke on

bled 6e 5e nouveau programme by daniel berlion - Mar 30 2023

web april 25th 2020 achat bled 6e 5e nouveau programme à prix bas sur rakuten si vous êtes fan de lecture depuis des années découvrez sans plus tarder toutes nos offres et

bled 6e 5e nouveau programme by daniel berlion test naf - Jan 16 2022

web pdf télécharger tout en un hachette parascolaire corrigé bled 6e 5e e alg c bled allemand ang c grammaire appliquée de l anglais avec exercices corrigés pdf le bled