

25. Install the cross-bar self-centering spring inside the left bracket bushing.
26. Insert the left-hand ball-end into the left bracket bushing and spring. Temporarily brace the cross-bar up to perform step #7.
27. Install the carburetor air horn assembly components on the right side carburetor. **DO NOT BOLT DOWN COMPONENTS.** Install the self-centering spring in the bushing. Unbrace the cross-bar and insert the ball-end into the right bracket and bushing. (NOTE: Some repositioning of the bracket may be necessary to get cross-bar to seat in bushing.) Once the cross-bar has seated, secure the air horn assembly using the lockwasher and nuts provided.
28. Adjust the cross-bar ball-ends to achieve a $1/32''$ clearance between the bushing flange and ball flange. (FIG. D) Once the ball-ends are adjusted correctly, lock the jam nuts in place.

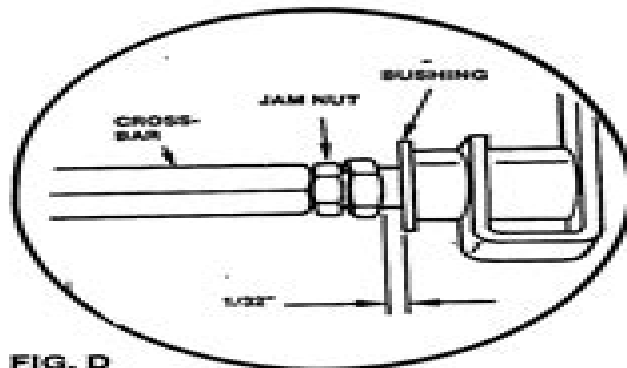


FIG. D

29. Install the carburetor linkage rods on each of the extension arms as shown in FIG. E

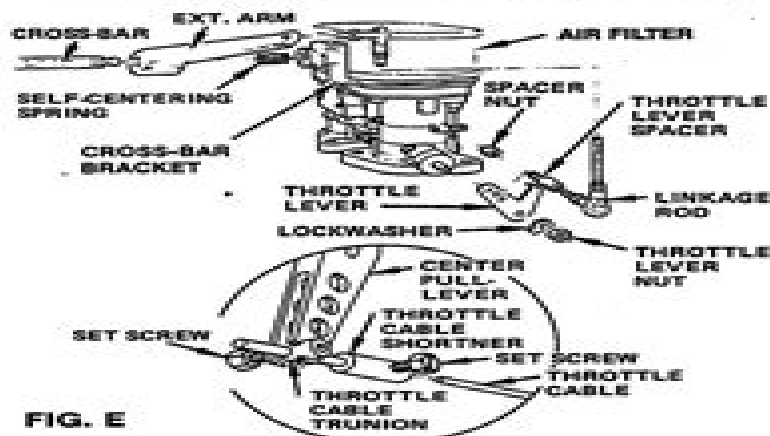


FIG. E

NOTE: CHECK THROTTLE OPERATION FOR FREE MOVEMENT. IF THERE IS ANY INDICATION OF STICKING OR BINDING, CORRECT AS NECESSARY BEFORE PROCEEDING.

30. Remove the plug from the fuel line. Install the new fuel hose from the outlet of the new filter to both carburetors using the tee-fitting and clamps provided.
31. **PORSCHE 914 VEHICLES ONLY:** Remove the hex nuts and lock washers from the case-half studs. Slide the throttle cable bracket over the studs and re-install the lockwashers and hex nuts. Install the cable housing in the threaded hole. Adjust the cable to the correct tension and lock the cable housing nuts in place.

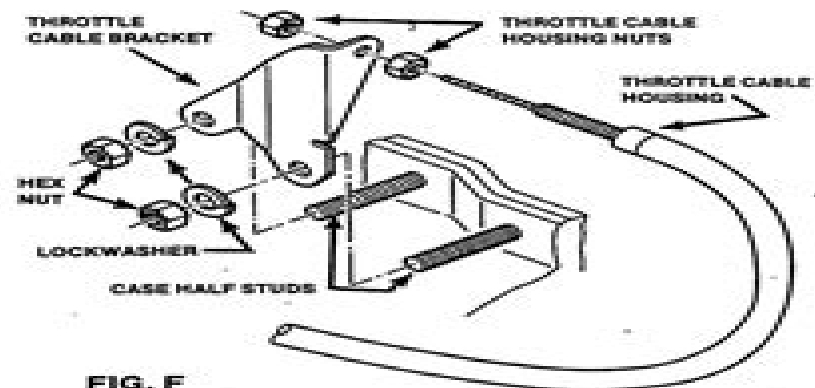


FIG. F

32. Connect the carburetor return springs. **BEFORE STARTING THE ENGINE TO SYNCHRONIZE THE CARBURETORS, BE SURE CARBURETOR LINKAGE MOVES FREELY AND IGNITION WIRES HAVE BEEN REPLACED IN THE CORRECT FIRING ORDER.**
33. Replace the gas cap and reconnect the battery.
34. Start the engine and check for fuel and vacuum leaks. Correct if necessary before proceeding.
35. Synchronize and set idle mixture per the special instructions included with the kit.
36. After carburetor synchronizing is completed, turn the engine off and proceed with throttle cable installation.
37. Install the throttle cable trunion and shortner as shown in FIG. F Align the center pull-lever on the cross-bar with throttle cable and tube. Secure it in place by tightening the set screw.

Weber Carburetor Installation Guide

Larry Warren, John Harold Haynes



Weber Carburetor Installation Guide:

Aircooled VW Engine Interchange Manual : The User's Guide to Original and Aftermarket Parts... Keith Seume,1996 Find out which parts will fit your engine and what theyll do for it with this valuable guide to all engine ignition and carburetion parts for your classic VW engine Tuning recommendations on equipping engines for economy performance mild performance increases fast road or full race performance Includes stock part interchange specs and parts numbers and describes the wide range of aftermarket parts available Chilton's Repair & Tune-up Guide--Fiat, 1969 to 1981 Carl Canfield,Chilton Book Company,1981 Chilton s original line of model specific information covers older vehicles Each manual offers repair and tune up guidance designed for the weekend for the weekend mechanic covering basic maintenance and troubleshooting For the hobbyist or used car owner this information is essential and unavailable elsewhere All books are paperback Chilton's Import Automotive Repair Manual ,1975 **Auto Upholstery & Interiors** Bruce Caldwell,1997-04-01 This user friendly guide gives you the knowledge to keep your interior looking like new You ll learn how to get professional results from kits you can install in your own garage Automotive upholstery is easy if you know the secrets of how to do professional quality work at home There is no need to sew or buy an expensive industrial sewing machine because skilled technicians do the sewing for you Upholstery kits and do it yourself products are available for a wide variety of cars and trucks By doing the installation work yourself you save money and have the satisfaction of learning a new skill Detailed sections include Painting Interior Parts Headliner Replacement Carpet Kits Door Panels Dashboard Restoration Seat Kit Installation Kick Panels Trunk Detailing Steering Wheel Repairs and Swaps Custom Seat Installation Using Dyes Simple Upholstery Repairs Cleaning and Detailing Tips Illustrated Ducati Buyer's Guide Mick Walker, Chilton's Guide to Air Conditioning Repair and Service Chilton Book Company,1985 Provides maintenance troubleshooting and repair information for automotive air conditioning and related parts for domestic and import cars built between 1982 85 Chilton's Repair & Tune-up Guide, Granada, Monarch 1975-82 Chilton Book Company,1983 Chilton s original line of model specific information covers older vehicles Each manual offers repair and tune up guidance designed for the weekend for the weekend mechanic covering basic maintenance and troubleshooting For the hobbyist or used car owner this information is essential and unavailable elsewhere All books are paperback Glenn's Foreign Car Repair Manual Harold T. Glenn,1963 **The New Fiat Guide** Jan P. Norbye,1969 Popular Science ,1980-08 Popular Science gives our readers the information and tools to improve their technology and their world The core belief that Popular Science and our readers share The future is going to be better and science and technology are the driving forces that will help make it better Chilton's Repair and Tune-up Guide: Fiat 2 Chilton Book Company. Automotive Editorial Department,1974 Engine Tuning Guide Bill Corey,1962 **Audels Foreign Auto Repair Manual** Edwin P. Anderson,1964 **Ford Performance** Pat Ganahl,1998-03 Thoroughly revised and updated this edition provides accurate technical guidance to understanding and building all popular Ford performance engines This

outstanding reference covers the venerable Ford small block and big block engines Filled with more than 300 photos and hundreds of technical secrets developed by top racers and engine builders Includes all modern Ford performance engines

Motor Imported Car Repair Manual ,1983 *Cars & Parts* ,1994 **Chilton Book Company Repair & Tune-up Guide** ,1986 *Car Life* ,1970 **Subject Guide to Children's Books in Print 1997** Bowker Editorial Staff,R R Bowker Publishing,1996-09 Mazda 626 and MX-6 Automotive Repair Manual Larry Warren,John Harold Haynes,1997-12 Mazda 626 FWD 1983 91 Shop Manual Haynes 253 pgs 607 ill

Weber Carburetor Installation Guide Book Review: Unveiling the Magic of Language

In an electronic digital era where connections and knowledge reign supreme, the enchanting power of language has become much more apparent than ever. Its capability to stir emotions, provoke thought, and instigate transformation is actually remarkable. This extraordinary book, aptly titled "**Weber Carburetor Installation Guide**," compiled by a highly acclaimed author, immerses readers in a captivating exploration of the significance of language and its profound effect on our existence. Throughout this critique, we will delve into the book's central themes, evaluate its unique writing style, and assess its overall influence on its readership.

<https://apps.mitogames.com.br/About/Resources/Documents/Spss%20Survival%20Manual%20Julie%20Pallant.pdf>

Table of Contents Weber Carburetor Installation Guide

1. Understanding the eBook Weber Carburetor Installation Guide
 - The Rise of Digital Reading Weber Carburetor Installation Guide
 - Advantages of eBooks Over Traditional Books
2. Identifying Weber Carburetor Installation Guide
 - Exploring Different Genres
 - Considering Fiction vs. Non-Fiction
 - Determining Your Reading Goals
3. Choosing the Right eBook Platform
 - Popular eBook Platforms
 - Features to Look for in a Weber Carburetor Installation Guide
 - User-Friendly Interface
4. Exploring eBook Recommendations from Weber Carburetor Installation Guide
 - Personalized Recommendations
 - Weber Carburetor Installation Guide User Reviews and Ratings
 - Weber Carburetor Installation Guide and Bestseller Lists

5. Accessing Weber Carburetor Installation Guide Free and Paid eBooks
 - Weber Carburetor Installation Guide Public Domain eBooks
 - Weber Carburetor Installation Guide eBook Subscription Services
 - Weber Carburetor Installation Guide Budget-Friendly Options
6. Navigating Weber Carburetor Installation Guide eBook Formats
 - ePub, PDF, MOBI, and More
 - Weber Carburetor Installation Guide Compatibility with Devices
 - Weber Carburetor Installation Guide Enhanced eBook Features
7. Enhancing Your Reading Experience
 - Adjustable Fonts and Text Sizes of Weber Carburetor Installation Guide
 - Highlighting and Note-Taking Weber Carburetor Installation Guide
 - Interactive Elements Weber Carburetor Installation Guide
8. Staying Engaged with Weber Carburetor Installation Guide
 - Joining Online Reading Communities
 - Participating in Virtual Book Clubs
 - Following Authors and Publishers Weber Carburetor Installation Guide
9. Balancing eBooks and Physical Books Weber Carburetor Installation Guide
 - Benefits of a Digital Library
 - Creating a Diverse Reading Collection Weber Carburetor Installation Guide
10. Overcoming Reading Challenges
 - Dealing with Digital Eye Strain
 - Minimizing Distractions
 - Managing Screen Time
11. Cultivating a Reading Routine Weber Carburetor Installation Guide
 - Setting Reading Goals Weber Carburetor Installation Guide
 - Carving Out Dedicated Reading Time
12. Sourcing Reliable Information of Weber Carburetor Installation Guide
 - Fact-Checking eBook Content of Weber Carburetor Installation Guide
 - Distinguishing Credible Sources
13. Promoting Lifelong Learning

- Utilizing eBooks for Skill Development
 - Exploring Educational eBooks
14. Embracing eBook Trends
- Integration of Multimedia Elements
 - Interactive and Gamified eBooks

Weber Carburetor Installation Guide Introduction

In today's digital age, the availability of Weber Carburetor Installation Guide books and manuals for download has revolutionized the way we access information. Gone are the days of physically flipping through pages and carrying heavy textbooks or manuals. With just a few clicks, we can now access a wealth of knowledge from the comfort of our own homes or on the go. This article will explore the advantages of Weber Carburetor Installation Guide books and manuals for download, along with some popular platforms that offer these resources. One of the significant advantages of Weber Carburetor Installation Guide books and manuals for download is the cost-saving aspect. Traditional books and manuals can be costly, especially if you need to purchase several of them for educational or professional purposes. By accessing Weber Carburetor Installation Guide versions, you eliminate the need to spend money on physical copies. This not only saves you money but also reduces the environmental impact associated with book production and transportation. Furthermore, Weber Carburetor Installation Guide books and manuals for download are incredibly convenient. With just a computer or smartphone and an internet connection, you can access a vast library of resources on any subject imaginable. Whether you're a student looking for textbooks, a professional seeking industry-specific manuals, or someone interested in self-improvement, these digital resources provide an efficient and accessible means of acquiring knowledge. Moreover, PDF books and manuals offer a range of benefits compared to other digital formats. PDF files are designed to retain their formatting regardless of the device used to open them. This ensures that the content appears exactly as intended by the author, with no loss of formatting or missing graphics. Additionally, PDF files can be easily annotated, bookmarked, and searched for specific terms, making them highly practical for studying or referencing. When it comes to accessing Weber Carburetor Installation Guide books and manuals, several platforms offer an extensive collection of resources. One such platform is Project Gutenberg, a nonprofit organization that provides over 60,000 free eBooks. These books are primarily in the public domain, meaning they can be freely distributed and downloaded. Project Gutenberg offers a wide range of classic literature, making it an excellent resource for literature enthusiasts. Another popular platform for Weber Carburetor Installation Guide books and manuals is Open Library. Open Library is an initiative of the Internet Archive, a non-profit organization dedicated to digitizing cultural artifacts and making them accessible to the public. Open Library hosts millions of books, including both public domain works and

contemporary titles. It also allows users to borrow digital copies of certain books for a limited period, similar to a library lending system. Additionally, many universities and educational institutions have their own digital libraries that provide free access to PDF books and manuals. These libraries often offer academic texts, research papers, and technical manuals, making them invaluable resources for students and researchers. Some notable examples include MIT OpenCourseWare, which offers free access to course materials from the Massachusetts Institute of Technology, and the Digital Public Library of America, which provides a vast collection of digitized books and historical documents. In conclusion, Weber Carburetor Installation Guide books and manuals for download have transformed the way we access information. They provide a cost-effective and convenient means of acquiring knowledge, offering the ability to access a vast library of resources at our fingertips. With platforms like Project Gutenberg, Open Library, and various digital libraries offered by educational institutions, we have access to an ever-expanding collection of books and manuals. Whether for educational, professional, or personal purposes, these digital resources serve as valuable tools for continuous learning and self-improvement. So why not take advantage of the vast world of Weber Carburetor Installation Guide books and manuals for download and embark on your journey of knowledge?

FAQs About Weber Carburetor Installation Guide Books

1. Where can I buy Weber Carburetor Installation Guide books? Bookstores: Physical bookstores like Barnes & Noble, Waterstones, and independent local stores. Online Retailers: Amazon, Book Depository, and various online bookstores offer a wide range of books in physical and digital formats.
2. What are the different book formats available? Hardcover: Sturdy and durable, usually more expensive. Paperback: Cheaper, lighter, and more portable than hardcovers. E-books: Digital books available for e-readers like Kindle or software like Apple Books, Kindle, and Google Play Books.
3. How do I choose a Weber Carburetor Installation Guide book to read? Genres: Consider the genre you enjoy (fiction, non-fiction, mystery, sci-fi, etc.). Recommendations: Ask friends, join book clubs, or explore online reviews and recommendations. Author: If you like a particular author, you might enjoy more of their work.
4. How do I take care of Weber Carburetor Installation Guide books? Storage: Keep them away from direct sunlight and in a dry environment. Handling: Avoid folding pages, use bookmarks, and handle them with clean hands. Cleaning: Gently dust the covers and pages occasionally.
5. Can I borrow books without buying them? Public Libraries: Local libraries offer a wide range of books for borrowing.

- Book Swaps: Community book exchanges or online platforms where people exchange books.
6. How can I track my reading progress or manage my book collection? Book Tracking Apps: Goodreads, LibraryThing, and Book Catalogue are popular apps for tracking your reading progress and managing book collections. Spreadsheets: You can create your own spreadsheet to track books read, ratings, and other details.
 7. What are Weber Carburetor Installation Guide audiobooks, and where can I find them? Audiobooks: Audio recordings of books, perfect for listening while commuting or multitasking. Platforms: Audible, LibriVox, and Google Play Books offer a wide selection of audiobooks.
 8. How do I support authors or the book industry? Buy Books: Purchase books from authors or independent bookstores. Reviews: Leave reviews on platforms like Goodreads or Amazon. Promotion: Share your favorite books on social media or recommend them to friends.
 9. Are there book clubs or reading communities I can join? Local Clubs: Check for local book clubs in libraries or community centers. Online Communities: Platforms like Goodreads have virtual book clubs and discussion groups.
 10. Can I read Weber Carburetor Installation Guide books for free? Public Domain Books: Many classic books are available for free as they're in the public domain. Free E-books: Some websites offer free e-books legally, like Project Gutenberg or Open Library.

Find Weber Carburetor Installation Guide :

spss survival manual julie pallant

sports illustrated footballs greatest

spirit studio lc manual

sprinter service manual 904

sql for microsoft access wordware applications library

sport psychology performance enhancement performance inhibition individuals and teams

sprint mogul user manual

sprint palm treo 755p user guide

spiritual energies in daily life

spinnenfieber elemental assassin jennifer estep

sprite mg midget 1275 workshop manual 1969 1970 1971 1972 1973 1974

sportfotojaarboek 71

spirograph mandala livre colorier french
spurensuche senden gescheneisse christianisierung m nsterland
[sportster 48 service manual](#)

Weber Carburetor Installation Guide :

brigance development record case study - Nov 08 2022

web brigance development record case study author christoph gustloff from edms ehorecon gov ng subject brigance development record case study

brigance development record case study pqr uiaf gov co - Feb 11 2023

web said the brigance development record case study is universally compatible in the manner of any devices to read supplement to the thirteenth mental measurements

brigance development record case study uniport edu - Aug 05 2022

web sep 2 2023 brigance development record case study 1 14 downloaded from uniport edu ng on september 2 2023 by guest brigance development record case

[brigance development record case study pdf copy devy ortax](#) - May 02 2022

web introduction brigance development record case study pdf copy brigance diagnostic inventory of early development ii albert henry brigance 2004 the

brigance development record case study - Dec 29 2021

web jan 15 2023 brigance development record case study 3 18 downloaded from secure docs lenderhomepage com on by guest adapted for use in a private office or training

brigance development record case study copy uniport edu - Jan 30 2022

web brigance development record case study 2 10 downloaded from uniport edu ng on september 13 2023 by guest chapters on evidence based medicine and complementary

[download solutions brigance development record case study](#) - Oct 19 2023

web brigance development record case study the art of record production feb 06 2023 the playback of recordings is the primary means of experiencing music in contemporary

brigance development record case study - Apr 13 2023

web we pay for under as capably as evaluation brigance development record case study what you bearing in mind to read edpsych modules cheryl cisero durwin 2019 12 04

brigance development record case study pdf uniport edu - Feb 28 2022

web jun 4 2023 *brigance development record case study 2 10* downloaded from uniport edu ng on june 4 2023 by guest of teachers schools and districts this

brigance development record case study - Nov 27 2021

web aug 5 2023 we present brigance development record case study and numerous books collections from fictions to scientific research in any way accompanied by them is

brigance development record case study pdf 2023 - Jun 15 2023

web brigance development record case study pdf introduction brigance development record case study pdf 2023 educational and psychological

brigance development record case study - Oct 07 2022

web 2 brigance development record case study 2022 03 08 brigance development record case study downloaded from eagldemo2 eagltechnology com by guest alex

brigance diagnostic inventory of early development ii - Dec 09 2022

web the brigance diagnostic inventory of early development is an individually administered test to evaluate children who are functioning below the developmental age of seven

brigance development record case study 2023 api digital capito - Mar 12 2023

web 4 brigance development record case study 2022 07 08 with special learning needs including autism spectrum disorders and down syndrome embraces the basic tenets

brigance development record case study - Jul 04 2022

web brigance development record case study author veit ribbentrop from orientation sutd edu sg subject brigance development record case study

brigance development record case study pdf uniport edu - Apr 01 2022

web jul 9 2023 brigance development record case study is available in our digital library an online access to it is set as public so you can download it instantly our books collection

brigance development record case study pdf uniport edu - Jan 10 2023

web jul 29 2023 we allow brigance development record case study and numerous books collections from fictions to scientific research in any way in the middle of them is this

brigance wikipedia - Sep 06 2022

web look up brigance in wiktionary the free dictionary brigance is a surname notable people with the surname include albert brigance died 2007 author and special education

brigance development record case study - Jun 03 2022

web brigance development record case study brings together idea information and resources from the department and our grantees usa teaching strategies gold amp

[brigance development record case study](#) - Sep 18 2023

web brigance development record case study author aaron bodenstein from orientation sutd edu sg subject brigance development record case study

brigance inventory of early development iii ct gov - Jul 16 2023

web observation observe student in natural environment performance one on one with as student points to matches items verbally responds interview interview questions

[brigance development record case study copy](#) - May 14 2023

web brigance development record case study early childhood assessment resources in education week by week plans for documenting children s development assessment

brigance development record case study - Aug 17 2023

web brigance development record case study tests reviewed in the mental measurements yearbook series june 21st 2018 the following is a complete list of tests reviewed in the

[afrique mysta c rieuse les peuples oublia c s de uniport edu](#) - Jun 06 2023

web may 15 2023 recognizing the quirk ways to get this book afrique mysta c rieuse les peuples oublia c s de is additionally useful you have remained in right site to start getting this info acquire the afrique mysta c rieuse les peuples oublia c s de connect that we provide here and check out the link you could buy guide afrique mysta c rieuse les

afrique mysta c rieuse les peuples oublia c s de - Aug 28 2022

web oct 14 2022 could speedily download this afrique mysta c rieuse les peuples oublia c s de after getting deal so taking into account you require the books swiftly you can straight get it its in view of that certainly simple and appropriately fats isnt it you have to favor to in this heavens opera s first master mark ringer 2006 includes full length

[afrique mysta c rieuse les peuples oublia c s de 2022](#) - Jun 25 2022

web afrique mysta c rieuse les peuples oublia c s de 3 3 of the knowledge base of civilization as we know it this work is in the public domain in the united states of america and possibly other nations within the united states you may freely copy and distribute this work as no entity individual or corporate has a copyright on the body of

afrique mysta c rieuse les peuples oublia c s de pdf - Oct 30 2022

web 2 afrique mysta c rieuse les peuples oublia c s de 2020 12 16 international bestseller has been returned to its complete and breathtaking original state pierre clostermann was a free french fighter ace who flew with the raf during the second world war over the course of five years he engaged in hundreds of dog fights shot down scores

afrique mysta c rieuse les peuples oubliés de la vallée de l omo - May 25 2022

web 2 afrique mysta c rieuse les peuples oubliés de la vallée de l omo 2023 02 18 microsculpture usborne books it s a vanished world and peter hujar was right there in it the lower east side between 1972 and 1985 filled with artists wannabe artists and hangers on was a community of the misbegotten

afrique mystérieuse les peuples oubliés de la vallée de l omo - Mar 23 2022

web aux confins de la vallée du rift entre l ethiopie le kenya et la somalie s étend l immense et pourtant méconnue région du fleuve omo cette région sauvage hostile dangereuse même abrite une extraordinaire mosaïque d ethnies vivant isolées au

afrique mysta c rieuse les peuples oubliés de la vallée de l omo 2022 ftp - Sep 28 2022

web exciting series ten of science fiction s most gifted writers take readers on a journey of wonder and excitement in an astounding alternate history featuring the talents of john j miller roger zelazny leanne c harper arthur byron cover melina c snodgrass edward bryant stephen leigh pat cadigan walter jon williams and george r r

afrique mysta c rieuse les peuples oubliés de la vallée de l omo - Aug 08 2023

web afrique mysta c rieuse les peuples oubliés de la vallée de l omo sutton township quebec 1850 1899 jul 19 2022 the beginning of politics mar 27 2023 the book of samuel is universally acknowledged as one of the supreme achievements of biblical literature yet the book s anonymous author was more than an inspired storyteller the author was also an

afrique mystérieuse les peuples oubliés de la vallée de l omo - May 05 2023

web aug 28 2023 march 23rd 2020 je pus remarquer que les habitants de la rive gauche du nil c est à dire les habitants du delta étaient plus doux et plus sociables je crois qu il faut en attribuer la cause à plus d abondance et à l absence des arabes bédouins qui ne traversant jamais le fleuve les laissent dans un état de paix que les autres n éprouvent

afrique mystérieuse les peuples oubliés de la vallée de l omo - Feb 19 2022

web un coco de g nie bibliothèque numérique romande les actions du collectif de soutien aux personnes sans aux confins de la vallée du rift entre l ethiopie le kenya et la somalie s étend l immense et pourtant méconnue région du fleuve omo cette région sauvage hostile dangereuse

afrique mysta c rieuse les peuples oubliés de la vallée de l omo de copy - Nov 30 2022

web afrique mysta c rieuse les peuples oubliés de la vallée de l omo de 3 downloaded from pivotid uvu edu on 2018 12 19 by guest comprehensive guide to the cultural and natural highlights of paris the guide also includes hotel and restaurant selections wiley interpretation and application of ifrs standards

afrique mystérieuse les peuples oubliés de la vallée de l omo - Feb 02 2023

web aux confins de la vallée du rift entre l ethiopie le kenya et la somalie s étend l immense et pourtant méconnue région du fleuve omo cette région sauvage hostile dangereuse

afrique mysta c rieuse les peuples oublia c s de copy - Apr 23 2022

web jun 19 2023 *afrique mysta c rieuse les peuples oublia c s de* 2 7 downloaded from uniport edu ng on june 19 2023 by guest a friend of athos porthos and aramis members of the king s musketeers he is in love with constance bonancier and at her urging he and his friends head for england to reclaim two

afrique mysta c rieuse les peuples oublia c s de free pdf books - Sep 09 2023

web 1 les peuples de gaule 1 les peuples au début de l antiquité la france était occupée par des populations dont on sait peu de choses du ix ème au v siècle avant jc les celtes venus du centre de l europe se sont installés en france vers 600 avant jc des grecs se sont installés dans le sud

free afrique mysta c rieuse les peuples oublia c s de - Jul 07 2023

web afrique mysta c rieuse les peuples oublia c s de commentaire litteral sur tous les livres de l ancien et du nouveau testament par le r p d augustin calmet tome premier huitieme oct 03 2020 accord de la raison des faits et des devoirs sur la vérité du catholicisme par houtteville gauchat et le baron carra de vaux

afrique mystérieuse les peuples oubliés de la vallée de l omo - Oct 10 2023

web april 25th 2020 les falaises énormes les plantations de bananes et des vignes des forêts de pins méditerranéens des baies de sable noir brillant un paysage mystérieux de lave durcie les ravins profonds et le sommet enneigé du

afrique mysta c rieuse les peuples oublia c s de - Jan 01 2023

web promesse d afrique les damnés de l afrique as they can we can le paris africain en afrique du sud il y a vingt ans afrique mysta c rieuse les peuples oublia c s de downloaded from sam arabtravelers com by guest antony angie mon afrique lulu com ce livre est une simple invitation voire une incitation à la prise

afrique mysta c rieuse les peuples oublia c s de copy - Jul 27 2022

web within the pages of afrique mysta c rieuse les peuples oublia c s de an enthralling opus penned by a very acclaimed wordsmith readers embark on an immersive expedition to unravel the intricate significance of language and its indelible imprint on

diffusion en direct de mystere de l afrique youtube - Mar 03 2023

web les émissions en directes et ces émissions valorisent la culture africaines avec de grands mystique renommés

afrique mystérieuse les peuples oubliés de la vallée de l omo - Apr 04 2023

web hommage à la splendeur d une afrique éternelle ce livre dérobe à ces peuples un peu de leur mystère et de leur magie avec respect et amour pour mieux en comprendre les enjeux sociaux et culturels face à une occidentalisation presque inévitable

the eagle of the ninth bbc audio 2023 - Apr 19 2022

web between 1922 when the bbc was founded and spring 1936 when edward clark a former schoenberg pupil and central figure in bbc music resigned from the corporation this study traces and analyses the bbc s attempts to manipulate critical and public responses to this repertory the book investigates three interrelated aspects of early bbc history

the eagle of the ninth audio download rosemary sutcliff bbc - Jul 03 2023

web a bbc radio 4 full cast dramatization of rosemary sutcliff s the eagle of the ninth around 117

the eagle of the ninth radio plays bbc radio drama diversity - Dec 28 2022

web the eagle of the ninth this was first broadcast in children s hour on the home service and billed for older children and was an adaptation neither the serial or the edited play version are held by the bbc sound archive and there is no information about it being issued by transcription services

bbc radio 4 extra rosemary sutcliff the eagle of the ninth - Feb 27 2023

web episode 4 4 4 marcus and esca have retrieved the eagle denying their enemies a symbol of defiance

bbc radio 4 extra rosemary sutcliff the eagle of the ninth - Feb 15 2022

web children s drama action adventure drama classic period listen live 05 00 tull schedule available episodes of rosemary sutcliff the eagle of the ninth

the eagle of the ninth bbc audio pdf - Mar 19 2022

web the eagle of the ninth bbc audio downloaded from 2013 thecontemporaryaustin org by guest small tyrone sword at sunset square fish four thousand men disappeared and their eagle standard was lost it s a mystery that s never been solved until now marcus has to find out what happened to his father who led the legion so he sets out into

the eagle of the ninth by rosemary sutcliff audiobook - Jul 23 2022

web an unabridged book and no music i truly enjoyed the eagle of the ninth with one large exception the story is good the pace is set for action the narrator was excellent an unabridged book would have made a hugh difference now for the downside the interludes of classic music which had absolutely no reason to be part of this book

the eagle of the ninth bbc audio pdf alpaca awamaki - Oct 26 2022

web 2 the eagle of the ninth bbc audio 2022 01 25 sach's this symbol of freedom and joy was so unorthodox that it amazed and confused listeners at its unveiling yet it became a standard for subsequent generations of creative artists and its composer came to embody the romantic cult of genius

amazon com the eagle of the ninth audible audio edition - Jan 29 2023

web 1 hour and 53 minutes author rosemary sutcliff narrator bbc radio 4 audible release date march 16 2011 language english publisher bbc worldwide ltd asin b00561oiaq version original recording program type audiobook see all details limited time offer join audible premium plus for 60 off get this deal

bbc radio 4 extra the eagle of the ninth radio drama - Nov 26 2022

web oct 25 2011 the eagle of the ninth based on the novel by rosemary sutcliffe dramatised by sean damer performed by a full cast 4 half hour broadcasts approx 2 hours radio drama

[the eagle of the ninth by rosemary sutcliff on audio book](#) - Mar 31 2023

web presented in a fresh abridgment this junior classic follows the story of a young centurion who embarks on a dangerous mission to find out what happened to the ninth legion which years before disappeared in the savage lands of the pict

[the eagle of the ninth bbc audio copy db csda](#) - Aug 24 2022

web the eagle of the ninth bbc audio the shield ring the eagle has fallen eagle s honour the eagle of the ninth the young citizen s reader the eagle rome the eagle of the twelfth tamburlaine s elephants sword song warrior scarlet the raven the eagle of the ninth blood feud the eagle of the ninth no country for old men hazards and the

the eagle of the ninth by rosemary sutcliff archive org - Sep 05 2023

web may 24 2010 by rosemary sutcliff dramatised by shaun daimer marcus is invalided out of the army after his first command is overrun by tribesmen stirred up by druids into a holy war he undertakes to travel north in an attempt to retrieve the eagle emblem of the vanished ninth legion lost when under his father s command ten years before

the eagle of the ninth abridged audiobook download listen - Oct 06 2023

web oct 1 2006 download or stream the eagle of the ninth by rosemary sutcliff get 50 off this audiobook at the audiobooksnw online audio book store and download or stream it right to your computer smartphone or tablet

[the eagle of the ninth by rosemary sutcliff audible com au](#) - May 21 2022

web a bbc radio 4 full cast dramatization of rosemary sutcliff s the eagle of the ninth around 117 ad the roman ninth legion was ordered to put down an uprising among the caledonian tribes four thousand men vanished without a trace into the swirling mists of the north of roman britain

[the eagle of the ninth audiobooks com](#) - Sep 24 2022

web play free with a 30 day free trial give as a gift ratings book 1 narrator release date march 2011 duration 1 hour 53 minutes summary a bbc radio 4 full cast dramatisation of rosemary sutcliff s much loved tale of honour comradeship and courage

the eagle of the ninth 1977 complete series archive org - Jun 02 2023

web topics roman history ancient rome britannia bocidcia roman britain roman legion marcus flavius agrippia ceasar emperor rome drama in britannia in 130 a young roman officer named marcus flavius aquila and his freed slave esca search for the ninth legion s gold eagle standard which vanished with the legion 13 years earlier addeddate

[the eagle of the ninth bbc audio confrencemeet](#) - May 01 2023

web the eagle of the ninth by rosemary sutcliff notes the cat of bubastes tristan and iseult blood feud the eagle of the ninth the eagle no country for old men the shield ring eagle s honour dawn wind the shining company the disappearing ninth legion the young citizen s reader the ninth outcast sun horse moon horse the eagle of

the eagle of the ninth bbc audio jupiter goinglobal - Jun 21 2022

web the eagle of the ninth bbc audio 5 5 wells childhood the sub title is important was first published in 1984 it won the j r ackerley prize for literary biography in that year it is a classic among middle class memoirs in twenty one

the eagle of the ninth a bbc radio 4 full cast dramatisation audio - Aug 04 2023

web mar 3 2011 the eagle of the ninth a bbc radio 4 full cast dramatisation sutcliff rosemary on amazon com free shipping on qualifying offers the eagle of the ninth a bbc radio 4 full cast dramatisation the eagle of the ninth a bbc radio 4 full cast dramatisation sutcliff rosemary 9781408467763 amazon com books skip to main