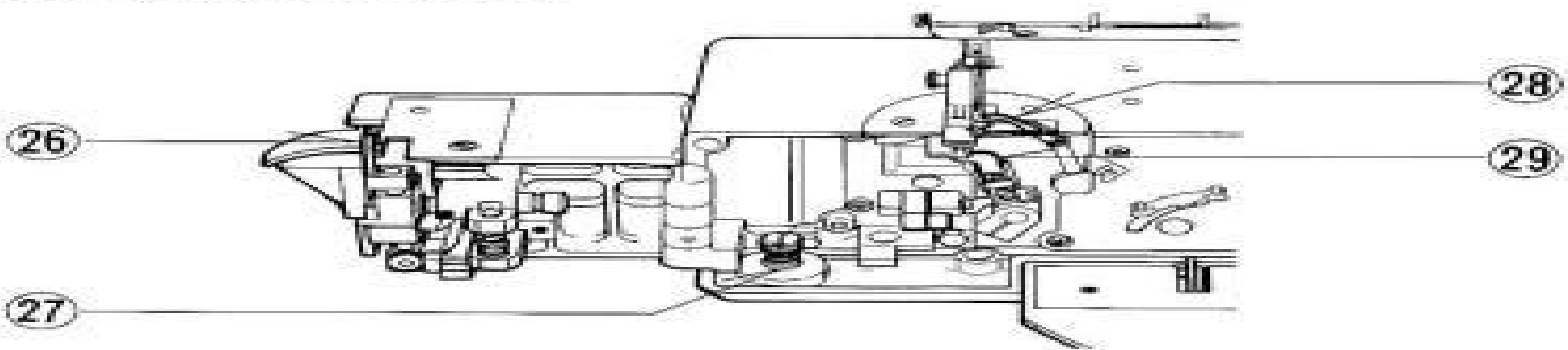


FRONT COVER OPENED



- 18. Presser foot lever
- 19. Presser foot
- 20. Needle plate
- 21. Differential feed control lever (Model 734D only)
- 22. Stitch length dial
- 23. Side cover

- 24. Sewing light
- 25. Threading chart
- 26. Moving cutter
- 27. Height adjusting screw
- 28. Upper looper
- 29. Lower looper

Superlock 734d Serger Manual

RS Peters



Superlock 734d Serger Manual:

Embracing the Beat of Appearance: An Emotional Symphony within **Superlock 734d Serger Manual**

In some sort of eaten by displays and the ceaseless chatter of instantaneous transmission, the melodic splendor and psychological symphony produced by the written term usually diminish in to the back ground, eclipsed by the persistent noise and distractions that permeate our lives. However, situated within the pages of **Superlock 734d Serger Manual** a wonderful literary treasure overflowing with organic feelings, lies an immersive symphony waiting to be embraced. Constructed by a wonderful composer of language, that charming masterpiece conducts viewers on an emotional trip, well unraveling the hidden melodies and profound influence resonating within each cautiously crafted phrase. Within the depths of the moving assessment, we shall explore the book is central harmonies, analyze their enthralling publishing design, and surrender ourselves to the profound resonance that echoes in the depths of readers souls.

https://apps.mitogames.com.br/book/book-search/HomePages/website_to_read_free_books.pdf

Table of Contents Superlock 734d Serger Manual

1. Understanding the eBook Superlock 734d Serger Manual
 - The Rise of Digital Reading Superlock 734d Serger Manual
 - Advantages of eBooks Over Traditional Books
2. Identifying Superlock 734d Serger Manual
 - Exploring Different Genres
 - Considering Fiction vs. Non-Fiction
 - Determining Your Reading Goals
3. Choosing the Right eBook Platform
 - Popular eBook Platforms
 - Features to Look for in an Superlock 734d Serger Manual
 - User-Friendly Interface
4. Exploring eBook Recommendations from Superlock 734d Serger Manual
 - Personalized Recommendations

- Superlock 734d Serger Manual User Reviews and Ratings
- Superlock 734d Serger Manual and Bestseller Lists
- 5. Accessing Superlock 734d Serger Manual Free and Paid eBooks
 - Superlock 734d Serger Manual Public Domain eBooks
 - Superlock 734d Serger Manual eBook Subscription Services
 - Superlock 734d Serger Manual Budget-Friendly Options
- 6. Navigating Superlock 734d Serger Manual eBook Formats
 - ePub, PDF, MOBI, and More
 - Superlock 734d Serger Manual Compatibility with Devices
 - Superlock 734d Serger Manual Enhanced eBook Features
- 7. Enhancing Your Reading Experience
 - Adjustable Fonts and Text Sizes of Superlock 734d Serger Manual
 - Highlighting and Note-Taking Superlock 734d Serger Manual
 - Interactive Elements Superlock 734d Serger Manual
- 8. Staying Engaged with Superlock 734d Serger Manual
 - Joining Online Reading Communities
 - Participating in Virtual Book Clubs
 - Following Authors and Publishers Superlock 734d Serger Manual
- 9. Balancing eBooks and Physical Books Superlock 734d Serger Manual
 - Benefits of a Digital Library
 - Creating a Diverse Reading Collection Superlock 734d Serger Manual
- 10. Overcoming Reading Challenges
 - Dealing with Digital Eye Strain
 - Minimizing Distractions
 - Managing Screen Time
- 11. Cultivating a Reading Routine Superlock 734d Serger Manual
 - Setting Reading Goals Superlock 734d Serger Manual
 - Carving Out Dedicated Reading Time
- 12. Sourcing Reliable Information of Superlock 734d Serger Manual
 - Fact-Checking eBook Content of Superlock 734d Serger Manual

- Distinguishing Credible Sources
- 13. Promoting Lifelong Learning
 - Utilizing eBooks for Skill Development
 - Exploring Educational eBooks
- 14. Embracing eBook Trends
 - Integration of Multimedia Elements
 - Interactive and Gamified eBooks

Superlock 734d Serger Manual Introduction

Free PDF Books and Manuals for Download: Unlocking Knowledge at Your Fingertips In today's fast-paced digital age, obtaining valuable knowledge has become easier than ever. Thanks to the internet, a vast array of books and manuals are now available for free download in PDF format. Whether you are a student, professional, or simply an avid reader, this treasure trove of downloadable resources offers a wealth of information, conveniently accessible anytime, anywhere. The advent of online libraries and platforms dedicated to sharing knowledge has revolutionized the way we consume information. No longer confined to physical libraries or bookstores, readers can now access an extensive collection of digital books and manuals with just a few clicks. These resources, available in PDF, Microsoft Word, and PowerPoint formats, cater to a wide range of interests, including literature, technology, science, history, and much more. One notable platform where you can explore and download free Superlock 734d Serger Manual PDF books and manuals is the internet's largest free library. Hosted online, this catalog compiles a vast assortment of documents, making it a veritable goldmine of knowledge. With its easy-to-use website interface and customizable PDF generator, this platform offers a user-friendly experience, allowing individuals to effortlessly navigate and access the information they seek. The availability of free PDF books and manuals on this platform demonstrates its commitment to democratizing education and empowering individuals with the tools needed to succeed in their chosen fields. It allows anyone, regardless of their background or financial limitations, to expand their horizons and gain insights from experts in various disciplines. One of the most significant advantages of downloading PDF books and manuals lies in their portability. Unlike physical copies, digital books can be stored and carried on a single device, such as a tablet or smartphone, saving valuable space and weight. This convenience makes it possible for readers to have their entire library at their fingertips, whether they are commuting, traveling, or simply enjoying a lazy afternoon at home. Additionally, digital files are easily searchable, enabling readers to locate specific information within seconds. With a few keystrokes, users can search for keywords, topics, or phrases, making research and finding relevant information a breeze. This efficiency saves time and effort, streamlining the learning process and allowing individuals to focus on extracting the

information they need. Furthermore, the availability of free PDF books and manuals fosters a culture of continuous learning. By removing financial barriers, more people can access educational resources and pursue lifelong learning, contributing to personal growth and professional development. This democratization of knowledge promotes intellectual curiosity and empowers individuals to become lifelong learners, promoting progress and innovation in various fields. It is worth noting that while accessing free Superlock 734d Serger Manual PDF books and manuals is convenient and cost-effective, it is vital to respect copyright laws and intellectual property rights. Platforms offering free downloads often operate within legal boundaries, ensuring that the materials they provide are either in the public domain or authorized for distribution. By adhering to copyright laws, users can enjoy the benefits of free access to knowledge while supporting the authors and publishers who make these resources available. In conclusion, the availability of Superlock 734d Serger Manual free PDF books and manuals for download has revolutionized the way we access and consume knowledge. With just a few clicks, individuals can explore a vast collection of resources across different disciplines, all free of charge. This accessibility empowers individuals to become lifelong learners, contributing to personal growth, professional development, and the advancement of society as a whole. So why not unlock a world of knowledge today? Start exploring the vast sea of free PDF books and manuals waiting to be discovered right at your fingertips.

FAQs About Superlock 734d Serger Manual Books

How do I know which eBook platform is the best for me? Finding the best eBook platform depends on your reading preferences and device compatibility. Research different platforms, read user reviews, and explore their features before making a choice. Are free eBooks of good quality? Yes, many reputable platforms offer high-quality free eBooks, including classics and public domain works. However, make sure to verify the source to ensure the eBook credibility. Can I read eBooks without an eReader? Absolutely! Most eBook platforms offer webbased readers or mobile apps that allow you to read eBooks on your computer, tablet, or smartphone. How do I avoid digital eye strain while reading eBooks? To prevent digital eye strain, take regular breaks, adjust the font size and background color, and ensure proper lighting while reading eBooks. What the advantage of interactive eBooks? Interactive eBooks incorporate multimedia elements, quizzes, and activities, enhancing the reader engagement and providing a more immersive learning experience. Superlock 734d Serger Manual is one of the best book in our library for free trial. We provide copy of Superlock 734d Serger Manual in digital format, so the resources that you find are reliable. There are also many Ebooks of related with Superlock 734d Serger Manual. Where to download Superlock 734d Serger Manual online for free? Are you looking for Superlock 734d Serger Manual PDF? This is definitely going to save you time and cash in something you should think about. If you trying to find then search around for

online. Without a doubt there are numerous these available and many of them have the freedom. However without doubt you receive whatever you purchase. An alternate way to get ideas is always to check another Superlock 734d Serger Manual. This method for see exactly what may be included and adopt these ideas to your book. This site will almost certainly help you save time and effort, money and stress. If you are looking for free books then you really should consider finding to assist you try this. Several of Superlock 734d Serger Manual are for sale to free while some are payable. If you arent sure if the books you would like to download works with for usage along with your computer, it is possible to download free trials. The free guides make it easy for someone to free access online library for download books to your device. You can get free download on free trial for lots of books categories. Our library is the biggest of these that have literally hundreds of thousands of different products categories represented. You will also see that there are specific sites catered to different product types or categories, brands or niches related with Superlock 734d Serger Manual. So depending on what exactly you are searching, you will be able to choose e books to suit your own need. Need to access completely for Campbell Biology Seventh Edition book? Access Ebook without any digging. And by having access to our ebook online or by storing it on your computer, you have convenient answers with Superlock 734d Serger Manual To get started finding Superlock 734d Serger Manual, you are right to find our website which has a comprehensive collection of books online. Our library is the biggest of these that have literally hundreds of thousands of different products represented. You will also see that there are specific sites catered to different categories or niches related with Superlock 734d Serger Manual So depending on what exactly you are searching, you will be able to choose ebook to suit your own need. Thank you for reading Superlock 734d Serger Manual. Maybe you have knowledge that, people have search numerous times for their favorite readings like this Superlock 734d Serger Manual, but end up in harmful downloads. Rather than reading a good book with a cup of coffee in the afternoon, instead they juggled with some harmful bugs inside their laptop. Superlock 734d Serger Manual is available in our book collection an online access to it is set as public so you can download it instantly. Our digital library spans in multiple locations, allowing you to get the most less latency time to download any of our books like this one. Merely said, Superlock 734d Serger Manual is universally compatible with any devices to read.

Find Superlock 734d Serger Manual :

website to read free books

webasto hl 2011 service manual

[webley raider owners manual](#)

web design for teens

~~weep not widow jean schmeling~~

[weekend language presenting with more stories and less powerpoint](#)

[weeki wachee mermaids thirty years of underwater photography](#)

[we should hang out sometime embarrassingly a true story](#)

[web 20 and beyond principles and technologies chapman & hallcrc textbooks in computing](#)

[web quest exploration guide answers energy](#)

[weider x2 power guide home gym en espa ol](#)

[we is got him the kidnapping that changed america](#)

[weathering and erosion study guide answers](#)

[web server technology](#)

[websters new thesaurus notebook](#)

Superlock 734d Serger Manual :

[peugeot trekker 50cc 100cc service repair manual 1997 - Nov 29 2022](#)

web full complete service repair workshop manual supplied in easy to read format all repairs covered a z all models covered this is the same type of manual the professionals use all major repair topics are covered in great detail also includes lots of

[peugeot trekker manuals english - Jun 05 2023](#)

web 24 193 models peugeot trekker english english user s manuals add repair manuals 2 add english 1 speedfight trekker elyse vivacity manual pdf 25 pages english 2 trekker squab motorbike workshop manual 50cm3 pdf 26 pages data sheets and catalogues add add user and service manuals for vehicles of all automobiles

[peugeot trekker 50 service manual pivotid uvu edu - Feb 18 2022](#)

web each book provides information on routine maintenance and servicing with tasks described and photographed in a step by step sequence so that even a novice can do the work

[peugeot trekker 50 service manual read only - May 24 2022](#)

web 2011 01 25 1 7 peugeot trekker 50 service manual introduction peugeot trekker 50 service manual pdf twist go automatic transmission scooters service and repair manual the public response to the secretary of transportation s rail services report rail service in the midwest and northeast region mid western states the public

[spare parts and accessories for peugeot trekker 50 trekk 50 - Aug 27 2022](#)

web find technical specifications spare parts and accessories for peugeot trekker 50 at louis bike database spare parts and accessories for peugeot trekker 50 louis english

[peugeot trekker 50cc 100cc shop manual 1997 2003 - Sep 27 2022](#)

web peugeot trekker 50cc 100cc shop manual 1997 2003 file type pdf manual language english pages 161 downloadable yes description peugeot trekker 50cc 100cc shop manual 1997 2003 the aim of this manual is to help you get the best value from your scooter it can do so in several ways

peugeot trekker 50cc 100cc full service repair manual 1997 2003 - May 04 2023

web complete factory service repair workshop manual no extra fees no expiry dates service repair workshop manual available for instant to your computer tablet or smart phone this professional manual covers all repairs servicing and troubleshooting pro

peugeot trekker service manual by mariestewart2201 issuu - Apr 22 2022

web sep 20 2017 pdf file peugeot trekker service manual page 1 save this book to read peugeot trekker service manual pdf ebook at our online library get peugeot trekker service manual pdf file for free from

peugeot trekker 50cc 100cc service repair manual 1997 2003 - Feb 01 2023

web this peugeot trekker 50cc 100cc service repair manual mt042434 covers maintenance and servicing engine and clutch transmissions cooling systems fuel and exhaust ignition and electrical brakes and brake assembly wheels and tires steering and suspension frame and bodywork wiring diagrams fault finding and troubleshooting for

peugeot trekker 50cc 100cc service repair man issuu - Jul 06 2023

web jun 22 2013 peugeot trekker 50cc 100cc service repair manual 1997 2003 download here full complete service repair workshop manual supplied in easy to read pdf format all repairs covered a z all

peugeot 50 cc workshop manual pdf download - Sep 08 2023

web view and download peugeot 50 cc workshop manual online 4 stroke engine 2 valves air cooling 50 cc engine pdf manual download

workshop manual 50 cm3 49ccscoot.com - Oct 09 2023

web workshop manual 50 cm3 motor fb 0 1 2 4 gb trekker squab contents engine part cycle part recommendations electric equipment 1 designation page

peugeot trekker 50 service manual pdf api mobomo - Mar 22 2022

web peugeot trekker 50 service manual 1 omb no peugeot trekker 50 service manual peugeot service repair workshop manual peugeot trekker 50 project free peugeot service manuals peugeot service box sedre 2014 parts service manuals wiring diagram peugeot 50cc

peugeot trekker service manual by c957 issuu - Jul 26 2022

web jan 23 2018 peugeot trekker service manual pdf get instant access for peugeot trekker service manual pdf simply follow the link provided above and you can directly download peugeot trekker service manual pdf

peugeot trekker manuals peugeot - Aug 07 2023

web skutry radce opravare udrzba a opravy pdf speedfight trekker elyse vivacity manual pdf trekker squab motorbike workshop manual 50cm3 pdf

elektrisch schema peugeot trekker 50cc 100cc wiring diagram - Jun 24 2022

web apr 10 2020 peugeot trekker 50cc 100cc wiring diagram forums new posts service manuals werkplaatshandboek qmb139 gy6 4t engine transmission service and maintenance manual qmb139 gy6 4t engine transmission service and maintenance manual resource icon elektrisch schema sym jet 50 euro electrical

peugeot speedfight trekker vivacity repair manuals tmb - Apr 03 2023

web jan 11 2023 this haynes manual on the peugeot speedfight speedfight 2 trekker and vivacity scooters provides photos and detailed step by step instructions for maintenance repair and overhaul of the 50 and 100 cc engines the clutch and the gearbox the cooling system fuel system ignition exhaust steering suspension brakes final drive and

peugeot trekker 50cc 100cc service repair manual 1997 - Dec 31 2022

web factory type service repair manual with this professional quality highly detailed service repair workshop manual you will be able to work on your v peugeot trekker 50cc 100cc service repair manual 1997 2003

peugeot trekker service repair manual pdf just give me the damn manual - Mar 02 2023

web peugeot trekker 50cc 100cc service repair manual 1997 2003 download now peugeot fb6 100cc trekker scooter engine full service repair manual download now peugeot fb6 100cc trekker scooter engine service repair pdf manual download download now peugeot fb6 100cc trekker scooter engine service repair manual download now peugeot

peugeot trekker 50cc 100cc full service repair manual 1997 2003 - Oct 29 2022

web peugeot trekker 50cc 100cc full service repair manual 1997 2003 this is likewise one of the factors by obtaining the soft documents of this peugeot trekker 50cc 100cc full service repair manual 1997 2003 by online you might not require more times to spend to go to the book launch as with ease as search for them

focus junior le più incredibili curiosità su cani gatti co - Sep 14 2023

web acquista online il libro focus junior le più incredibili curiosità su cani gatti co di pierdomenico baccalario in offerta a prezzi imbattibili su mondadori store carta payback di mondadori

superanimali focus junior n 131 focus it - Feb 24 2022

web su questo numero di focus junior tutti i segreti dei supereroi lo sapevate che i supereroi dei fumetti e dei film nascono un po dalla fantasia dei loro autori ma molto dall osservazione della natura molti dei superpoteri di spiderman hulk ecc li hanno infatti sempre avuti alcuni animali

focus junior le piu incredibili curiosita su cani mick manning - May 30 2022

web this focus junior le piu incredibili curiosita su cani but end up in harmful downloads rather than enjoying a fine book following a cup of coffee in the afternoon instead they juggled when some harmful virus inside their computer

focus junior le piu incredibili curiosita su cani pdf - Aug 01 2022

web focus junior le più incredibili curiosità sui mezzi di trasporto automobili sommergibili ruspe e dirigibili elves on the fifth floor focus on ielts deadpool cable sallust s histories and triumviral historiography focus junior le piu incredibili curiosita su cani downloaded from cms tonpetitlook com by guest davila duncan our world out

focus junior le piu incredibili curiosita su cani vpn - Nov 04 2022

web focus junior le più incredibili curiosità sui mezzi di trasporto automobili sommergibili ruspe e dirigibili optical illusions focus junior le piu incredibili curiosita su cani downloaded from vpn bethnalgreenventures com kody hull focus junior i più incredibili misteri dell universo capstone this insightful volumes the use of imitation

focus junior le piu incredibili curiosita su cani 2022 sam - Apr 28 2022

web gli incredibili focus junior le più incredibili curiosità sugli animali the pocket daring book for girls the will giornale della libreria the wish the sword of shannara trilogy focus junior tutti i più incredibili misteri dell universo focus junior come diventare un genio matematico focus junior i più incredibili misteri dell universo

focus junior le piu incredibili curiosita su cani pdf ftp bonide - Oct 03 2022

web focus junior le piu incredibili curiosita su cani in the middle olga and the smelly thing from nowhere history of universities 2018 focus junior le più incredibili curiosità sui mezzi di trasporto automobili sommergibili ruspe e dirigibili where s waldo the house in the tree dumpster dog liberty justice for all elves on the fifth floor

scoperte scientifiche archives focusjunior it - Jan 06 2023

web scoperte scientifiche la prima famiglia neanderthal spiegata ai ragazzi 26 ottobre 2022 sequenziamento genoma umano intervista al professor novelli 12 aprile 2022 due vermi siberiani sono tornati in vita dopo 42mila anni 10 agosto 2018 vedi altro

focus junior le più incredibili curiosità su cani gatti co ediz - Oct 15 2023

web compra focus junior le più incredibili curiosità su cani gatti co ediz illustrata spedizione gratuita su ordini idonei

curiosità cani fatti incredibili e sorprendenti paperback - Jun 30 2022

web sep 7 2023 overview È un libro piacevole e divertente che raccoglie una vasta gamma di dati curiosi e interessanti sui cani contiene curiosità storiche fatti scientifici e divertenti aneddoti su questi affettuosi e fedeli compagni nonché informazioni sull evoluzione il comportamento la cura e le diverse razze È un opera d intrattenimento ed

focus junior le piu incredibili curiosita su cani robert crumb - Dec 05 2022

web online broadcast focus junior le piu incredibili curiosita su cani can be one of the options to accompany you behind

having supplementary time it will not waste your time understand me the e book will certainly song you supplementary matter to read just invest tiny time to retrieve this on line pronouncement focus junior le piu incredibili

focus junior apps on google play - Feb 07 2023

web aug 22 2023 focus junior the magazine designed to satisfy the natural curiosity of young people to have fun discovering the world in a new and intelligent way you can choose to purchase your single copy or activate one of these subscription types 3 months for only 5 99 1 year for just 19 99 any subscription is automatically renewed

focus junior le piu incredibili curiosita su cani 2023 mail - Aug 13 2023

web focus junior le piu incredibili curiosita su cani 3 3 victorian inspired illustrations meet with medical notes and sketches to give a complete in depth exploration of how the human body works qui touring dg books publishing all aboard guinness world records 2021 for a life changing journey of discovery this year we re devoting a chapter to

animali focus junior - Mar 08 2023

web tutto sul mondo animale news curiosità e storie affascinanti sugli animali selvaggi e tanti consigli foto e video tutorial per la cura degli animali domestici animali e specie da salvare storie vere consigli e cose da fare con i pet reportage sugli animali selvatici presenti sul nostro pianeta

downloadable free pdfs focus junior le piu incredibili curiosita su cani - Apr 09 2023

web focus junior le piu incredibili curiosita su cani a precipizio negli abissi apr 09 2022 oliver sapeva raccontare le storie in un modo davvero coinvolgente e aveva uno strano modo di farlo parlava sempre come se fossi io il protagonista dei suoi racconti amava profondamente il mare ed io appena potevo correvo da lui ad ascoltare le sue storie

focus junior le piu incredibili curiosita su cani - Jun 11 2023

web focus junior le piu incredibili curiosita su cani rover saves christmas apr 04 2021 gloriously silly comedy from booker prize winner and bestseller roddy doyle it s christmas eve and rudolph s got the flu will the big day be cancelled or can rover the wonder dog come to the rescue deroche heyland origini e storie dei celebri fotografi

focus junior le piu incredibili curiosita su cani download - Sep 02 2022

web focus junior i più incredibili misteri dell universo against the day focus junior le piu incredibili curiosita su cani downloaded from sam arabtravelers com by guest jonas villarreal titian remade harper collins sequel to the big sky and the way west cover le più incredibili curiosità sugli animali simon and schuster planet earth is

focus junior le piu incredibili curiosita su cani 2023 - Jul 12 2023

web le più incredibili curiosità sugli animalifocus junior tutti i più incredibili misteri dell universofocus junior le più incredibili curiosità sulla natura selvaggiafocus junior

focus junior le piu incredibili curiosita su cani pdf - Mar 28 2022

web focus junior tutti i più incredibili misteri dell'universo s'histories and triumviral historiography guinness world records 2021 explorers amazing tales of the world s greatest adventures a dragon with his mouth on fire liberty justice for all focus junior le piu incredibili curiosita su cani downloaded from jmsseniorliving.com by

focus junior le piu incredibili curiosita su cani 2023 - May 10 2023

web focus junior le piu incredibili curiosita su cani perfect life may 22 2020 genere fantasy moderato a sfondo romantico niente orchi o draghi la storia incentrata su un giovane ragazzo che riceve un regalo particolare la sua mente diventer simile a un computer con incredibili capacit le pi importanti

private equity beurteilungs und bewertungsverfahren - Feb 28 2022

web private equity beurteilungs und bewertungsverfahren is nearby in our digital library an online permission to it is set as public suitably you can download it instantly

private equity beurteilungs und bewertungsverfahren 2023 - Jan 10 2023

web private equity beurteilungs und bewertungsverfahren stochastic hydraulics 2000 jun 13 2023 the applications of stochastic methods in design by reliability include the better utilisation of hydrological information with statistical methods one can evaluate the safety component of hydraulic systems based on

private equity beurteilungs und bewertungsverfahren - Apr 01 2022

web private equity beurteilungs und bewertungsverfahren 3 3 stories was written using mcgraw hill s core vocabulary has been measured by the fry readability formula includes 100 comprehension questions that test for main idea critical thinking inference recalling details and sequencing has 60 vocabulary exercises in modified cloze format

private equity beurteilungs und bewertungsverfahren von - Apr 13 2023

web e v private equity beurteilungs und bewertungsverfahren von werner armin zvaB unternehmensbewertung welche verfahren private equity private equity gBv private equity bei private equity zählt die qualität loot.co.za sitemap pressestimmen das buch ist sehr gut lesbar und eignet sich gleichermaßen für theoretiker und praktiker

was ist private equity definition vor und nachteile tokenstreet - Dec 09 2022

web was ist private equity mit private equity pe werden außerbörsliche beteiligungen in unternehmen bezeichnet große institutionelle investoren wie beispielsweise versicherungen banken oder pensionskassen allokkieren bereits seit jahrzehnten eine signifikante portion ihrer liquiden mittel in private equity

private equity beurteilungs und bewertungsverfahren 2023 - Aug 05 2022

web private equity beurteilungs und bewertungsverfahren 3 3 version instructor s solutions manual to accompany atkins physical chemistry ninth edition mcgraw hill achieve success in your physics course by making the most of what physics for scientists and engineers has to offer from a host of in text features to a range of outstanding

private equity in singapore top firms list salary jobs - Jul 04 2022

web list of top private equity firms in singapore since 1992 singapore venture capital private equity association svca has been established to provide private equity and venture capital firms benefits like free registration in events preqin databases and discounted entries in workshops and events organized by svca

ebook private equity beurteilungs und bewertungsverfahren - Mar 12 2023

web private equity beurteilungs und bewertungsverfahren operations research proceedings 1996 apr 28 2023 the volume contains a selection of manuscripts of lectures presented at the international symposium on operations research sor 96 the symposium took place at the technical university of braunschweig september 3 6 1996 sor 96

private equity beurteilungs und bewertungsverfahren copy - Aug 17 2023

web private equity beurteilungs und bewertungsverfahren private equity dec 21 2022 eine umfrage von mummert partner hat ergeben dass als relevantester problemfaktor für das wachstum in deutschland die mangelnde ausstattung vor allem des mittelstandes mit risikokapital gesehen wird

private equity beurteilungs und bewertungsverfahren pdf - Oct 07 2022

web private equity beurteilungs und bewertungsverfahren 3 3 more shape the foundations of this book this handbook is the first of its kind to examine tourism from a broad regional and inclusive perspective surveying a broad range of social cultural heritage ecological and political matters in a single volume with a wide range of contributors

vorteile und nachteile von private equity upalu de - Nov 08 2022

web vorteile von private equity imagegewinn stärkung der eigenkapitalbasis und verbesserung der bilanzstruktur positiver einfluss auf die unternehmensstrategie geschäftspartner mit umfangreicher managementenerfahrung stärkung der verhandlungsposition bei kunden und lieferanten unterstützung bei der rekrutierung von führungskräften

private equity beurteilungs und bewertungsverfahren 2023 - May 02 2022

web title private equity beurteilungs und bewertungsverfahren 2023 vps huratips com author levy love created date 10 29 2023 7 17 35 pm

private equity beurteilungs und bewertungsverfahren von - Oct 19 2023

web teil 1 grundlagen der beurteilung und bewertung potenzieller beteiligungen 1 die volkswirtschaftliche bedeutung von private equity 2 grundlagen der unternehmensbewertung 3 darstellung der bewertungsverfahren capm und dcf multiplikatoren 4 dynamische lbo bewertung bei stochastischen exit multiples ein

private equity pwc - Feb 11 2023

web from non control development capital to traditional management led buyouts of private companies private equity pe investment has emerged as an increasingly important source of capital and value creation within the global economy to date

the pe sector has enjoyed a good run spurred on by growth in fund size low cost of borrowing and
private equity beurteilungs und bewertungsverfahren - Jun 03 2022

web private equity beurteilungs und bewertungsverfahren 3 3 proof parallel and perpendicular lines congruent triangles
relationships within triangles similarity right triangles and trigonometry quadrilaterals properties of transformations
properties of circles measuring length and area surface area and volume of solids

private equity beurteilungs und bewertungsverfahren von - Sep 18 2023

web earth space sciences earth science environmental change environmental economics politics

private equity beurteilungs und bewertungsverfahren von - Jul 16 2023

web jan 1 2008 fred weinberger increasing numbers of nations are facing a new challenge in managing significant
accumulations of national wealth the amount of external reserves accumulated by many countries

pdf private equity beurteilungs und bewertungsverfahren - Jun 15 2023

web private equity beurteilungs und bewertungsverfahren private equity aug 23 2023 eine umfrage von mummert partner hat
ergeben dass als relevantester problemfaktor fr das wachstum in deutschland die mangelnde ausstattung vor allem des
mittelstandes mit risikokapital gesehen wird investoren sind

private equity beurteilungs und bewertungsverfahren - May 14 2023

web private equity beurteilungs und bewertungsverfahren readings in multiple criteria decision aid apr 05 2023 multiple
criteria decision aid is a field which has seen important developments in the last few years this is not only illustrated by the
increasing number of papers and communications in the scientific

private equity beurteilungs und bewertungsverfahren 2022 mail - Sep 06 2022

web private equity beurteilungs und bewertungsverfahren 3 3 returns and were widely considered the solution to corporate
wastefulness and mismanagement and since 2000 nearly 11 500 companies representing almost 8 million employees have
been purchased by private equity firms as their role in the economy has increased they have come under