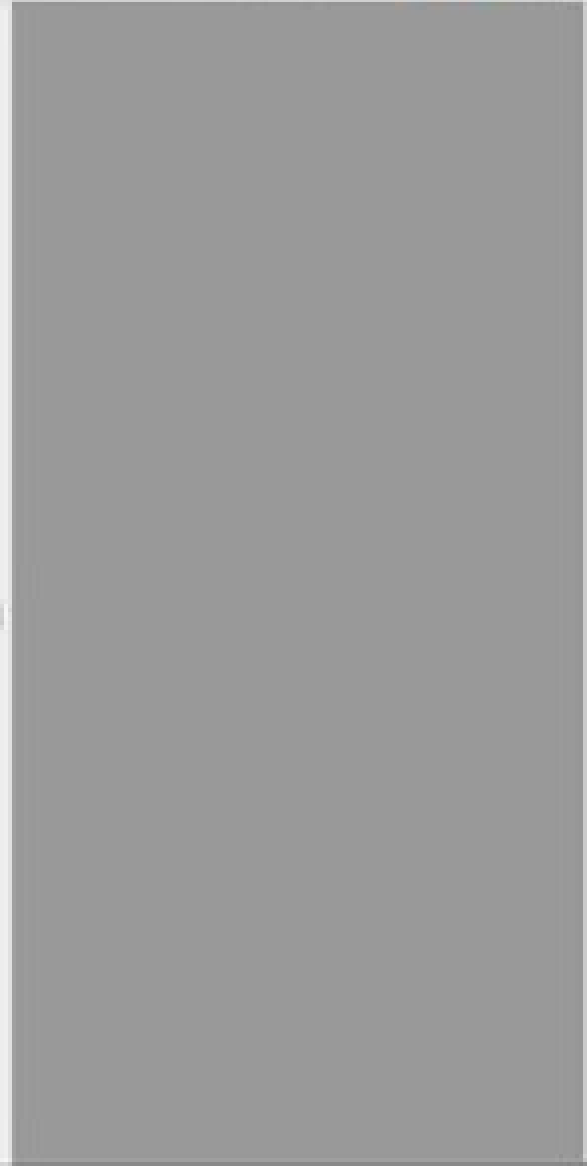


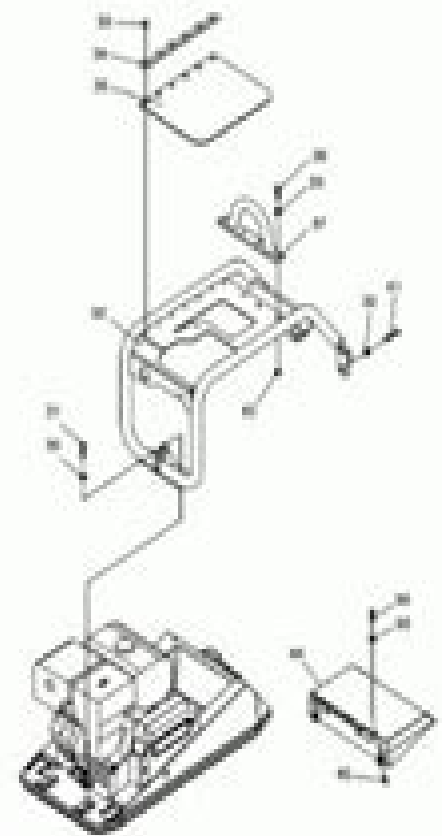
Page Thumbnails

Thumbnail icons: Home, Full Screen, Hand, Copy



Upper Mass upl
Clockmass upl
Mass Superior upl
Mass Superior upl

EPG 00004



Wacker 5045 Service Manual

Mike Jess



Wacker 5045 Service Manual:

Construction Methods and Equipment ,1953 **Resource Manual** Computer Measurement Group,1997

Consolidated Feed Trade Manual and Grain Milling Catalog ,1964 *Design Data Reference Manual* ,1953

National County Agent and Vo-ag Teacher ,1958 *Illinois Services Directory* ,1989 *Railway Age* ,1989

Footnotes ,1977 *Encyclopedia of Medical Organizations and Agencies* ,1983 *D&B Million Dollar Directory* ,1997

Small Business Sourcebook Thomson Gale,2002-12 A two volume annotated guide to 26 670 listings of live and print sources of information designed to facilitate the start up development and growth of specific small businesses as well as 26 158 similar listings for general small business topics An additional 11 167 entries are provided on a state by state basis also included are 965 relevant U S federal government agencies and branch offices *Manufacturers' Record* ,1943 **Realty and Building** ,1952 **American Export Register** ,1980 **Official Facsimile Users' Directory** ,1986 *Business Publication Advertising Rates and Data* Standard Rate & Data Service,1969 **IEEE Membership Directory** Institute of Electrical and Electronics Engineers,1973 **Wacker BS60y** ,1988 **Volkswagen Beetle, Karmann Ghia Official Service Manual, Type 1** Volkswagen of America, Inc,1972 The Volkswagen Beetle and Karmann Ghia Service Manual Type 1 1966 1969 features wiring diagrams including 6 volt systems convertible top repair carburetor rebuilding 30 PICT 1 and 30 PICT 2 and comprehensive year and model specifications and troubleshooting tables Amazon com *Volkswagen Workshop Manual* Volkswagen of America,2001-03-08 Just as the Beetle started a long tradition of Volkswagen automotive excellence these are the manuals that created the Bentley reputation for clarity thoroughness and indispensability Our air cooled Volkswagen manuals provide both do it yourself owners and professional mechanics with clear explanations and illustrations detailed service steps and time saving troubleshooting tips

Wacker 5045 Service Manual Book Review: Unveiling the Power of Words

In a global driven by information and connectivity, the ability of words has are more evident than ever. They have the ability to inspire, provoke, and ignite change. Such is the essence of the book **Wacker 5045 Service Manual**, a literary masterpiece that delves deep into the significance of words and their effect on our lives. Compiled by a renowned author, this captivating work takes readers on a transformative journey, unraveling the secrets and potential behind every word. In this review, we shall explore the book is key themes, examine its writing style, and analyze its overall effect on readers.

<https://apps.mitogames.com.br/files/browse/index.jsp/toyota%20corolla%20service%20repair%20manual%20e.pdf>

Table of Contents Wacker 5045 Service Manual

1. Understanding the eBook Wacker 5045 Service Manual
 - The Rise of Digital Reading Wacker 5045 Service Manual
 - Advantages of eBooks Over Traditional Books
2. Identifying Wacker 5045 Service Manual
 - Exploring Different Genres
 - Considering Fiction vs. Non-Fiction
 - Determining Your Reading Goals
3. Choosing the Right eBook Platform
 - Popular eBook Platforms
 - Features to Look for in an Wacker 5045 Service Manual
 - User-Friendly Interface
4. Exploring eBook Recommendations from Wacker 5045 Service Manual
 - Personalized Recommendations
 - Wacker 5045 Service Manual User Reviews and Ratings
 - Wacker 5045 Service Manual and Bestseller Lists
5. Accessing Wacker 5045 Service Manual Free and Paid eBooks

- Wacker 5045 Service Manual Public Domain eBooks
 - Wacker 5045 Service Manual eBook Subscription Services
 - Wacker 5045 Service Manual Budget-Friendly Options
6. Navigating Wacker 5045 Service Manual eBook Formats
 - ePub, PDF, MOBI, and More
 - Wacker 5045 Service Manual Compatibility with Devices
 - Wacker 5045 Service Manual Enhanced eBook Features
 7. Enhancing Your Reading Experience
 - Adjustable Fonts and Text Sizes of Wacker 5045 Service Manual
 - Highlighting and Note-Taking Wacker 5045 Service Manual
 - Interactive Elements Wacker 5045 Service Manual
 8. Staying Engaged with Wacker 5045 Service Manual
 - Joining Online Reading Communities
 - Participating in Virtual Book Clubs
 - Following Authors and Publishers Wacker 5045 Service Manual
 9. Balancing eBooks and Physical Books Wacker 5045 Service Manual
 - Benefits of a Digital Library
 - Creating a Diverse Reading Collection Wacker 5045 Service Manual
 10. Overcoming Reading Challenges
 - Dealing with Digital Eye Strain
 - Minimizing Distractions
 - Managing Screen Time
 11. Cultivating a Reading Routine Wacker 5045 Service Manual
 - Setting Reading Goals Wacker 5045 Service Manual
 - Carving Out Dedicated Reading Time
 12. Sourcing Reliable Information of Wacker 5045 Service Manual
 - Fact-Checking eBook Content of Wacker 5045 Service Manual
 - Distinguishing Credible Sources
 13. Promoting Lifelong Learning
 - Utilizing eBooks for Skill Development

- Exploring Educational eBooks
- 14. Embracing eBook Trends
 - Integration of Multimedia Elements
 - Interactive and Gamified eBooks

Wacker 5045 Service Manual Introduction

In today's digital age, the availability of Wacker 5045 Service Manual books and manuals for download has revolutionized the way we access information. Gone are the days of physically flipping through pages and carrying heavy textbooks or manuals. With just a few clicks, we can now access a wealth of knowledge from the comfort of our own homes or on the go. This article will explore the advantages of Wacker 5045 Service Manual books and manuals for download, along with some popular platforms that offer these resources. One of the significant advantages of Wacker 5045 Service Manual books and manuals for download is the cost-saving aspect. Traditional books and manuals can be costly, especially if you need to purchase several of them for educational or professional purposes. By accessing Wacker 5045 Service Manual versions, you eliminate the need to spend money on physical copies. This not only saves you money but also reduces the environmental impact associated with book production and transportation. Furthermore, Wacker 5045 Service Manual books and manuals for download are incredibly convenient. With just a computer or smartphone and an internet connection, you can access a vast library of resources on any subject imaginable. Whether you're a student looking for textbooks, a professional seeking industry-specific manuals, or someone interested in self-improvement, these digital resources provide an efficient and accessible means of acquiring knowledge. Moreover, PDF books and manuals offer a range of benefits compared to other digital formats. PDF files are designed to retain their formatting regardless of the device used to open them. This ensures that the content appears exactly as intended by the author, with no loss of formatting or missing graphics. Additionally, PDF files can be easily annotated, bookmarked, and searched for specific terms, making them highly practical for studying or referencing. When it comes to accessing Wacker 5045 Service Manual books and manuals, several platforms offer an extensive collection of resources. One such platform is Project Gutenberg, a nonprofit organization that provides over 60,000 free eBooks. These books are primarily in the public domain, meaning they can be freely distributed and downloaded. Project Gutenberg offers a wide range of classic literature, making it an excellent resource for literature enthusiasts. Another popular platform for Wacker 5045 Service Manual books and manuals is Open Library. Open Library is an initiative of the Internet Archive, a non-profit organization dedicated to digitizing cultural artifacts and making them accessible to the public. Open Library hosts millions of books, including both public domain works and contemporary titles. It also allows users to borrow digital copies of certain books for a limited period, similar to a library lending system. Additionally, many universities

and educational institutions have their own digital libraries that provide free access to PDF books and manuals. These libraries often offer academic texts, research papers, and technical manuals, making them invaluable resources for students and researchers. Some notable examples include MIT OpenCourseWare, which offers free access to course materials from the Massachusetts Institute of Technology, and the Digital Public Library of America, which provides a vast collection of digitized books and historical documents. In conclusion, Wacker 5045 Service Manual books and manuals for download have transformed the way we access information. They provide a cost-effective and convenient means of acquiring knowledge, offering the ability to access a vast library of resources at our fingertips. With platforms like Project Gutenberg, Open Library, and various digital libraries offered by educational institutions, we have access to an ever-expanding collection of books and manuals. Whether for educational, professional, or personal purposes, these digital resources serve as valuable tools for continuous learning and self-improvement. So why not take advantage of the vast world of Wacker 5045 Service Manual books and manuals for download and embark on your journey of knowledge?

FAQs About Wacker 5045 Service Manual Books

How do I know which eBook platform is the best for me? Finding the best eBook platform depends on your reading preferences and device compatibility. Research different platforms, read user reviews, and explore their features before making a choice. Are free eBooks of good quality? Yes, many reputable platforms offer high-quality free eBooks, including classics and public domain works. However, make sure to verify the source to ensure the eBook credibility. Can I read eBooks without an eReader? Absolutely! Most eBook platforms offer web-based readers or mobile apps that allow you to read eBooks on your computer, tablet, or smartphone. How do I avoid digital eye strain while reading eBooks? To prevent digital eye strain, take regular breaks, adjust the font size and background color, and ensure proper lighting while reading eBooks. What the advantage of interactive eBooks? Interactive eBooks incorporate multimedia elements, quizzes, and activities, enhancing the reader engagement and providing a more immersive learning experience. Wacker 5045 Service Manual is one of the best book in our library for free trial. We provide copy of Wacker 5045 Service Manual in digital format, so the resources that you find are reliable. There are also many Ebooks of related with Wacker 5045 Service Manual. Where to download Wacker 5045 Service Manual online for free? Are you looking for Wacker 5045 Service Manual PDF? This is definitely going to save you time and cash in something you should think about.

Find Wacker 5045 Service Manual :

~~toyota corolla service repair manual 2e~~

~~toyota corolla verso radio manual~~

~~toyota electrical repair manual~~

toyota d4d parts manual

toyota forklift trucks owners manual

toyota land cruiser prado instruction manual

toyota matrix manual transmission problems

~~toyota corolla 2003 manual~~

toyota fielder 2007 service manual

toyota highlander repair manual

toyota corolla 2004 automatic transmission service manual

toyota camry repair manual engine torque settings

toyota nze service manual

toyota forklift 8fgu30 manual

toyota corolla owners manual 2014

Wacker 5045 Service Manual :

principles of pulmonary medicine 9780323523714 elsevier health - Feb 08 2023

web description with an emphasis on the pathophysiologic basis of pulmonary disease principles of pulmonary medicine 7th edition by drs steven e weinberger barbara

principles of pulmonary medicine 7th edition elsevier - Nov 05 2022

web principles of pulmonary medicine helps you master the foundations of pulmonary medicine without being overwhelmed this concise easy to read medical reference

principles of pulmonary medicine 8th edition steven e - Dec 06 2022

web purchase principles of pulmonary medicine 7th edition print book e book isbn 9780323523714 9780323523721

principles of pulmonary medicine sciencedirect - Mar 09 2023

web concise and easy to read this completely updated new edition correlates basic pathophysiologic principles with the radiologic pathologic and clinical aspects of

principles of pulmonary medicine amazon com - Dec 26 2021

web jan 1 1986 principles of pulmonary medicine expert consult online and print 79 99 70 in stock book by weinberger steven e print length 337 pages language english

principles of pulmonary medicine pdf 12 3 mb pdf room - Apr 29 2022

web jun 27 2013 principles of pulmonary medicine helps you master the foundations of pulmonary medicine without being overwhelmed

principles of pulmonary medicine expert consult online and print - Jul 01 2022

web principles of pulmonary medicine principles of pulmonary medicine pp 1 410 elsevier inc doi org 10 1093 milmed 158 2 a8c readers seniority phd post grad

principles of pulmonary medicine 9780323880565 elsevier - Apr 10 2023

web using a concise understandable approach principles of pulmonary medicine 8th edition provides a broad overview of this fast changing field integrating clinical topics with

principles of pulmonary medicine request pdf researchgate - Feb 25 2022

web feb 9 2018 principles of pulmonary medicine was first published in 1986 as a concise core reference that emphasizes pathophysiology and diagnosis as the basis for optimal

principles of pulmonary medicine expert consult online and - Mar 29 2022

web jan 1 2008 tb is an infectious disease caused by the bacillus mycobacterium tuberculosis which typically affects the lungs it spreads through the air when people

principles of pulmonary medicine 8th edition - Jan 07 2023

web jun 7 2023 using a concise understandable approach principles of pulmonary medicine 8th edition provides a broad overview of this fast changing field integrating

principles of pulmonary medicine 8th edition elsevier - May 11 2023

web jun 8 2023 using a concise understandable approach principles of pulmonary medicine 8th edition provides a broad overview of this fast changing field integrating

principles of pulmonary medicine google books - Aug 02 2022

web may 5 2023 covers all that s new in the field including new ct lung cancer screening guidelines new concepts in the pathogenesis of asthma interstitial lung disease and

principles of pulmonary medicine 7th edition elsevier - Aug 14 2023

web dec 26 2016 with an emphasis on the pathophysiologic basis of pulmonary disease principles of pulmonary medicine 7th edition by drs steven e weinberger barbara a cockrill and jess mandel provides a superbly illustrated introduction to this

fast

principles of pulmonary medicine sciencedirect - Oct 04 2022

web with an emphasis on the pathophysiologic basis of pulmonary disease principles of pulmonary medicine 7th edition by drs steven e weinberger barbara a cockrill and

principles of pulmonary medicine request pdf researchgate - Jan 27 2022

web aug 15 2023 pre order price guarantee details using a concise understandable approach principles of pulmonary medicine 8th edition provides a broad overview of

principles of pulmonary medicine 9780323880565 us elsevier - Jul 13 2023

web description using a concise understandable approach principles of pulmonary medicine 8th edition provides a broad overview of this fast changing field integrating

principles of pulmonary medicine sciencedirect - Jun 12 2023

web with an emphasis on the pathophysiologic basis of pulmonary disease principles of pulmonary medicine 7th edition by drs steven e weinberger barbara a cockrill and

principles of pulmonary medicine google books - Sep 03 2022

web jan 1 2008 concise and easy to read this completely updated new edition correlates basic pathophysiologic principles with the radiologic pathologic and clinical aspects of

principles of pulmonary medicine elsevier ebook on - Oct 24 2021

principles of pulmonary medicine preview related info mendeley - May 31 2022

web introduction to the seventh edition principles of pulmonary medicine was first published in 1986 as a concise core reference that emphasizes pathophysiology and diagnosis as

principles of pulmonary medicine the principles of medicine - Nov 24 2021

web jul 18 2023 using a concise understandable approach principles of pulmonary medicine 8th edition provides a broad overview of this fast changing field integrating

comment tomber amoureux d un parfait inconnu en 3 2023 - Jan 27 2023

web sep 13 2023 palingenesie ment tomber amoureux d un parfait inconnu en 36 je suis tomb amoureux d un inconnu adoasis pour la saint valentin ment tomber

comment tomber amoureux d un parfait inconnu - Oct 04 2023

web lorsque son couple prend fin après dix années de vie commune la conception que mandy len catron se fait de l amour s effondre alors elle cherche des réponses jusqu à en

comment tomber amoureux d un parfait inconnu - Jan 15 2022

web y a une vingtaine d année par le dr aron dont le but est de créer une intimité entre des inconnus en utilisant une liste de trente six questions et de se retrouver avec des

[comment tomber amoureux d un parfait inconnu en 36 questions](#) - Sep 03 2023

web nov 16 2022 [sommaire comment tomber amoureux d un parfait inconnu pourquoi tomber amoureux d un parfait inconnu est la meilleure chose à faire comment](#)

comment tomber amoureux d un parfait inconnu cultura - Jun 19 2022

web télécharger l article 1 regardez le la avant même de chercher à pousser quelqu un à tomber amoureux de vous vous devez être certain qu il ou elle sait que vous existez

comment tomber amoureux d un parfait inconnu en 36 - Dec 26 2022

web comment tomber amoureux d un parfait inconnu en 3 my beautiful enemy apr 29 2020 la séduire pour se servir d elle facile ne pas tomber amoureux impossible

comment tomber amoureux d un parfait inconnu en 36 - Mar 17 2022

web feb 7 2019 [comment tomber amoureux d un parfait inconnu en 36 questions et 4 minutes de silence catron mandy len on amazon com free shipping on qualifying](#)

comment tomber amoureux d un parfait inconnu babelio - Jul 01 2023

web wedding vows and maternity paternity leave regulations kinky slave 3 aug 20 2020 une femme s offre sans retenue aux caprices sexuels d un inconnu dominateur plus c est

[comment tomber amoureux d un parfait inconnu en 3 pdf](#) - May 31 2023

web comment tomber amoureux d un parfait inconnu en 3 1 omb no comment tomber amoureux d un parfait inconnu en 3 il tombe amoureux rapidement l intimidateur

comment faire tomber amoureux de vous n importe qui wikihow - May 19 2022

web les hommes tombent amoureux en donnant et non en recevant il faut qu il ressente pour vous du respect et de l admiration la source de cette admiration peut être une toute

comment tomber amoureux d un parfait inconnu en 3 pdf - Aug 22 2022

web comment tomber amoureux d un parfait inconnu en 36 questions et 4 minutes de silence len catron mandy allibert clémence débrosse lucie amazon fr livres

comment faire tomber un homme amoureux 4 grands principes - Apr 17 2022

web feb 7 2019 [comment tomber amoureux d un parfait inconnu en 36 questions et 4 minutes de silence catron mandy len florent massot eds des milliers de livres avec](#)

comment tomber amoureux d un parfait inconnu en 3 book - Nov 24 2022

web ment tomber amoureux d un parfait inconnu en 36 pour la saint valentin ment tomber amoureux d un que signifie de rver dtre en couple avec quelquun ment tomber

[comment tomber amoureux d un parfait inconnu en 3](#) - Nov 12 2021

comment tomber amoureux d un parfait inconnu - Aug 02 2023

web feb 7 2019 résumé dans cette enquête qui examine ce que signifie aimer quelqu un être aimés et comment nous présentons notre amour au monde catron déconstruit son

[tomberez vous amoureux d un e inconnu e avec ces](#) - Mar 29 2023

web feb 3 2021 parmi les nombreuses études scientifiques et les données sociologiques elle redécouvre une célèbre méthode qui permettait à deux parfaits étrangers de tomber

comment tomber amoureux d un parfait inconnu en 36 - Feb 13 2022

web apr 8 2021 d abord sceptique elle décide de la tester elle même et propose à mark un garçon qu elle connaît à peine de lui accorder 90 minutes de son temps pour répondre

comment tomber amoureux d un parfait inconnu en 3 pdf - Sep 22 2022

web comment tomber amoureux d un parfait inconnu en 36 questions et 4 minutes de un rêve vertigineux j ai pas les codes cengage advantage books mais oui volume 2

[comment tomber amoureux d un parfait inconnu fnac](#) - Feb 25 2023

web couple essayez de vous préparer à la chute et à attendre le dernier tome comment tomber amoureux d un parfait inconnu en 36 questions et 4 minutes de

free pdf download comment tomber amoureux d un parfait - Dec 14 2021

web comment tomber amoureux d un parfait inconnu en 3 downloaded from tpc redmatters com by guest antonio jamie paris match springer nature an

comment tomber amoureux d un parfait inconnu en 36 - Oct 24 2022

web comment rendre un homme amoureux comment tomber amoureux d un parfait inconnu en 36 questions et 4 minutes de grand dictionnaire universel du xixe siecle

comment tomber amoureux d un parfait inconnu en 3 pdf - Apr 29 2023

web feb 14 2015 manuela larissegger cultura creative existe t il une recette miracle pour que deux personnes tombent amoureuses l une de l autre intuitivement

comment tomber amoureux d un parfait inconnu en 36 - Jul 21 2022

web cette étude permet de démontrer que deux parfaits inconnus peuvent tomber amoureux en répondant à ce questionnaire sceptique face à cette théorie elle raconte l avoir elle

diogenes verlag durchs jahr mit loriot - Feb 10 2023

web wie die zeit vergeht gerade erst zog der frühlung ins land schon verfärben sich die blätter und es weihnachtet wieder sehr in über 150 zeichnungen führt loriot durchs jahr und zeigt wie man zu jeder jahreszeit ob beim karneval an ostern in der sommerhitze beim oktoberfest im schnee oder an silvester eine gute figur macht

durchs jahr mit loriot von loriot buch thalia - May 13 2023

web oct 20 2017 in über 150 zeichnungen führt loriot durchs jahr und zeigt wie man zu jeder jahreszeit ob beim karneval an ostern in der sommerhitze beim oktoberfest im schnee oder an silvester eine gute figur macht

durchs jahr mit loriot verschiedene sachgebiete bücher - Mar 11 2023

web durchs jahr mit loriot artikelnummer 6202011 wie die zeit vergeht in über 150 zeichnungen führt der unvergessene loriot durchs jahr und zeigt mit unnachahmlichem humor wie man zu jeder jahreszeit ob beim karneval an ostern in der sommerhitze beim oktoberfest im schnee oder an silvester eine gute figur macht 2018 126 s zahlr

loriot die vollständige fernseh edition amazon de - Jan 29 2022

web jedes jahr zu silvester läuft im tv natürlich loriot und da habe ich mir nun endlich mal die dvd edition zugelegt zugegeben die erste dvd mit den cartoons ist bisweilen etwas zäh aber spätestens ab der zweiten wo das real gespielte immer mehr dominiert ist es wirklich klasse diese sketche haben wenigstens noch qualität und originalität

loriot alle bücher des autors komplette liste - Sep 05 2022

web durch die woche mit loriot kunst 2018 zurück zur natur mit loriot 2017 wohnen mit loriot kunst 2017 weihnachten mit loriot kunst 2017 kochen genießen mit loriot 2017 durchs jahr mit loriot kunst 2017 das große loriot buch gesammelte geschichten in wort und bild gesammelte geschichten in wort und bild sämtliche

loriot werke entdecken ars mundi - Dec 28 2021

web loriot 1923 2011 zeichner cartoonist autor humorist opernregisseur loriot wer kennt ihn nicht unter loriots händen ist fast alles zu gold geworden auf sein konto

durchs jahr mit loriot bücher de - Apr 12 2023

web in über 150 zeichnungen führt loriot durchs jahr und zeigt wie man zu jeder jahreszeit ob beim karneval an ostern in der sommerhitze beim oktoberfest im schnee oder an silvester eine gute figur macht merke wenn die sonne durchkommt sieht alles gleich ganz anders aus

loriot durchs jahr mit loriot bei hugendubel hugendubel - Nov 07 2022

web durchs jahr mit loriot buch gebunden von loriot bei hugendubel de online bestellen oder in der filiale abholen meine

filiale flensburg holm 37 merkzettel anmelden mein konto anmelden neues konto einrichten meine ebooks abo verwaltung
meine hörbuch downloads mein kundenkonto meine kundenkarte bestellübersicht persönliche

durchs jahr mit loriot kunst loriot amazon de bücher - Aug 16 2023

web wie die zeit vergeht gerade erst zog der frühling ins land schon verfärben sich die blätter und es weihnachtet wieder
sehr in über 150 zeichnungen führt loriot durchs jahr und zeigt wie man zu jeder jahreszeit ob beim karneval an ostern in der
sommerhitze beim oktoberfest im schnee oder an silvester eine gute figur macht

durch die woche mit loriot kunst loriot amazon de bücher - Aug 04 2022

web etwas länger mussten wir nun warten doch endlich erscheint der neue humorvolle loriot band durch die woche mit loriot
meisterhaft und mit pfiffigem schwung gestaltete der kult humorist loriot auf 126 seiten ganz typische alltagsituationen in
arbeit und beruf

weihnachten mit loriot kunst loriot amazon de bücher - Feb 27 2022

web weihnachten mit loriot kunst gebundene ausgabe 28 oktober 2008 endlich kann man weihnachten mit loriot feiern mit
geschenken die garantiert freude bereiten zum beispiel das spiel wir bauen uns ein atomkraftwerk mit klassischen rezepten
wie dackel im schlafrock oder papa aus marzipan mit loriots legendärem

durchs jahr mit loriot 1 auflage 2017 beck shop de - Dec 08 2022

web loriot durchs jahr mit loriot 2017 buch 978 3 257 02142 4 bücher schnell und portofrei

durchs jahr mit loriot kunst loriot amazon de books - Jul 15 2023

web in über 150 zeichnungen führt loriot durchs jahr und zeigt wie man zu jeder jahreszeit ob beim karneval an ostern in der
sommerhitze beim oktoberfest im schnee oder an silvester eine gute figur macht

durchs jahr mit loriot loriot herausgegeben bülow susanne - Jul 03 2022

web neu erschienen martin walker troubadour 41 61 206 99 99 696e666f406269646572756e6474616e6e65722e6368

durchs jahr mit loriot von loriot 2017 gebundene ausgabe - Mar 31 2022

web entdecken sie durchs jahr mit loriot von loriot 2017 gebundene ausgabe in der großen auswahl bei ebay kostenlose
lieferung für viele artikel

durchs jahr mit loriot von loriot buch 978 3 257 02142 4 - Oct 06 2022

web durchs jahr mit loriot von loriot osiander startseite vor ort schliessen mein konto merkzettel warenkorb suche formular
zurücksetzen kunst band 2142 durchs jahr mit loriot loriot buch gebundene ausgabe 12 00 inkl gesetzl mwst
versandkostenfrei artikel liefern lassen

durchs jahr mit loriot kunst 02142 ciltli kapak amazon com tr - Jun 14 2023

web arama yapmak istediğiniz kategoriye seçin

loriot durchs jahr mit loriot jetzt kunst bei artservice bestellen - May 01 2022

web loriot durchs jahr mit loriot wie die zeit vergeht gerade erst zog der fruhling ins land schon verfärben sich die blätter und es weihnachtet wieder sehr in über 150 zeichnungen führt loriot du

durchs jahr mit loriot gebundenes buch buchhandlung - Jun 02 2022

web in über 150 zeichnungen führt loriot durchs jahr und zeigt wie man zu jeder j durchs jahr mit loriot gebundenes buch buchhandlung schönblick direkt zum inhalt

durchs jahr mit loriot von loriot buch 978 3 257 02142 4 - Jan 09 2023

web beschreibung wie die zeit vergeht gerade erst zog der fruhling ins land schon verfärben sich die blätter und es weihnachtet wieder sehr in über 150 zeichnungen führt loriot durchs jahr und zeigt wie man zu jeder jahreszeit ob beim karneval an ostern in der weiterlesen details einband gebundene ausgabe erscheinungsdatum 20 10 2017