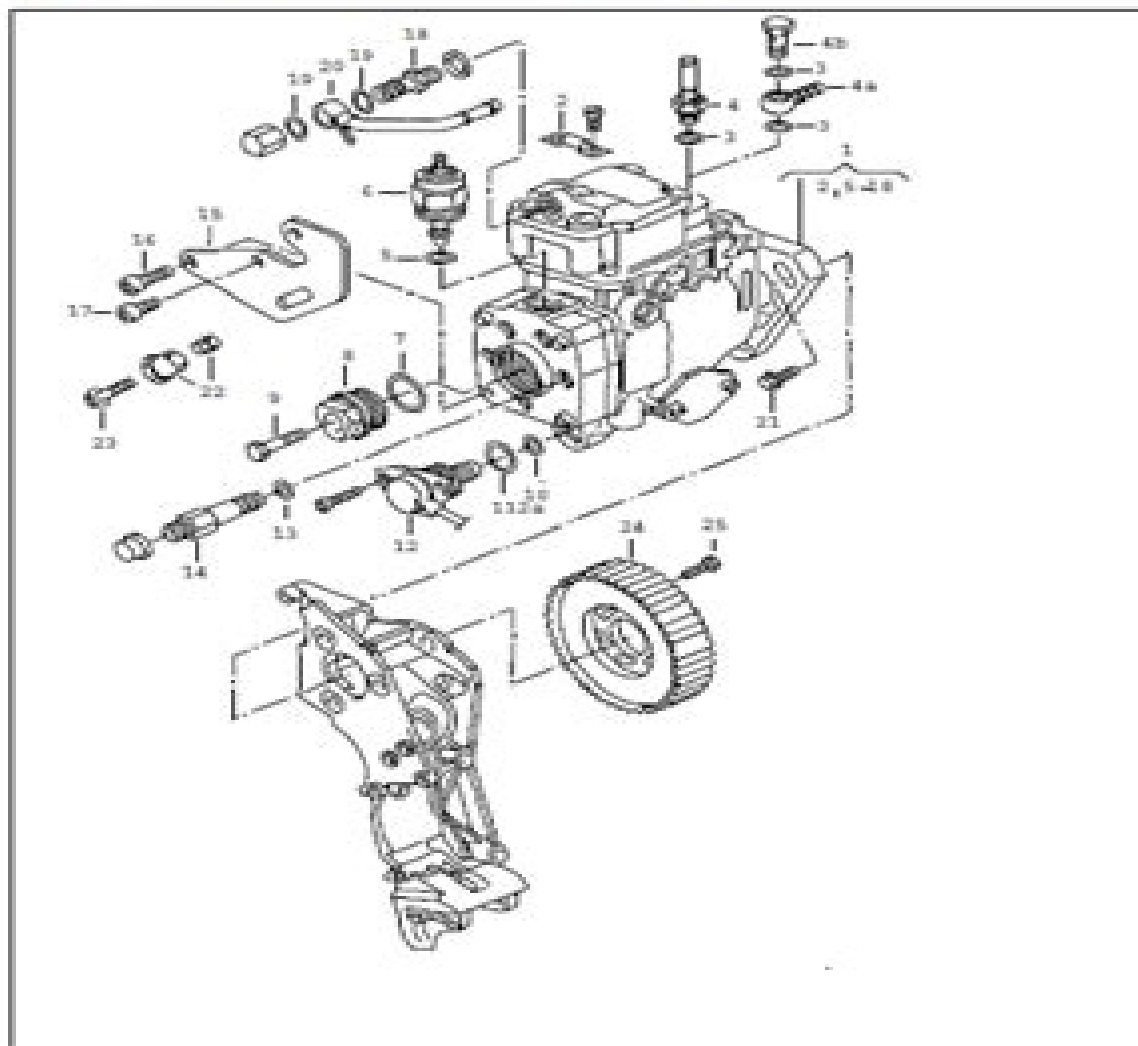


Bookmarks

- 1-98 Engine Repair Kits
- 100-10 Base Engine Short Block
- 100-99 Engine Oil
- 103-05 Cylinder block with Pistons and Oil Sump
- 103-30 Cylinder Head/Cylinder Head Cover
- 103-60 Ventilation for Cylinder Head Cover
- 105-10 Crankshaft/Connecting Rod Bearings
- 107-00 Piston
- 109-00 Repair Kit for Toothed Belt with Tensioning Roller
- 109-10 Camshaft,

IS-№.	Model	Year	Eng.Number
130-20	Marine-Motors	2002 - 2009	



Vw Engine Manual

LP Steffe



Vw Engine Manual:

Volkswagen Air-Cooled Engine Rebuild Manual Laurie Pettitt, 2014-02-06 With 35 years experience Laurie Pettitt knows more than most about the mucky green art of rebuilding VW air cooled engines Written with genuine enthusiasm and a little humor this step by step guide is like having a knowledgeable friend or older brother sat right next to you at the workbench Learn how to remove and strip down your engine before taking a really good look at what's inside Work out what's good and what's not You will learn to examine components and find that often they are not only serviceable but better than modern reproduction parts Reusing the original parts wherever possible you will then learn how to prepare and reassemble your engine with plenty of tips and tricks to make the job easier The importance of cooling tinware is emphasised and its refitting covered model by model With the short engine built we turn our attention to ancillaries such as fuel air and exhaust systems as well as sensible modifications to make your new engine perform better and last longer **Aircooled VW Engine**

Interchange Manual : The User's Guide to Original and Aftermarket Parts... Keith Seume, 1996 Find out which parts will fit your engine and what they'll do for it with this valuable guide to all engine ignition and carburetion parts for your classic VW engine Tuning recommendations on equipping engines for economy performance mild performance increases fast road or full race performance Includes stock part interchange specs and parts numbers and describes the wide range of aftermarket parts available [Aircooled VW](#) Keith Seume, 1996 A guide to all engine ignition and carburation parts available for the Volkswagen air cooled engine with detailed information on what parts will fit which engine and what they will do for it There is also advice on how to build up engines for different purposes mild performance increase economy fast road or full race with full listings of suitable parts *Volkswagen Beetle, Karmann Ghia Official Service Manual, Type 1* Volkswagen of America, Inc, 1972 The Volkswagen Beetle and Karmann Ghia Service Manual Type 1 1966 1969 features wiring diagrams including 6 volt systems convertible top repair carburetor rebuilding 30 PICT 1 and 30 PICT 2 and comprehensive year and model specifications and troubleshooting tables Amazon.com **Volkswagen Workshop Manual Types 11, 14, and 15:**

1952-1957 Volkswagen of America, 1998-01-01 Now available after being out of print for nearly 40 years a vintage reprint of original air cooled Volkswagen repair information for all Volkswagen Type I Beetle and Karmann Ghia models sold in the USA and Canada This historical archive edition covers procedures for routine maintenance troubleshooting repair and rebuilding Air cooled Volkswagens Type 11 14 15 covered Volkswagen Type 11 Beetle Sedan Volkswagen Type 14 Karmann Ghia Coupe Volkswagen Type 15 Beetle Convertible Engines covered in this Volkswagen repair manual Volkswagen Air cooled Type 1 upright engine 1131cc 25hp Volkswagen Air cooled Type 1 upright engine 1192cc 36hp from January 1954 Volkswagen Air cooled Type 1 upright engine 1192cc 36hp from August 1955 Transmissions covered in this Volkswagen repair manual Volkswagen Standard with non synchronized crash box transmission Volkswagen De Luxe with 2nd 3rd and 4th gear synchronized transmission Technical highlights Engine and cylinder head service repair and reconditioning including bench

testing procedures and specifications for 25hp and 36hp motors Solex 28 PCI carburetor and Solex fuel pump troubleshooting rebuilding and adjustment Transmission removal rebuilding and adjustment including special needle bearings on synchromesh transmissions Frame floor and body panel repair All measurements and detailed cutting alignment and welding instructions Painting preparation and procedures Body repair and replacement procedures including the sliding fabric sunroof and convertible top Complete wiring diagrams All factory changes and updates are noted in the text by manufacturing date chassis number engine number and part number Full explanations of the operation of all systems with exploded views cutaways and diagrams Required workshop equipment tools and equipment for local manufacture listings Troubleshooting tables for clutch carburetor fuel pump steering brakes generator starter and wipers Maintenance and lubrication charts and procedures

The VW Air-Cooled Engine Ken Cservenka,2018-02-18 The VW Air Cooled Engine is a no nonsense engine manual that any practical minded person can understand giving a highly illustrated step by step guide to dismantling and rebuilding a Type 1 engine Most of the operations described in the book can be applied to the Type 4 unit used in 1700 1800 and 2 litre Transporter models as well Topics covered included workshop essentials keeping the engine healthy removing and stripping down the engine examination of the engine components reassembling the engine and ancillaries and full specifications of the various Type 1 and Type 4 engines With over 300 colour images this book will be an invaluable resource for anyone involved in the repair and maintenance of these iconic engines *VW Owners Workshop Manual* A. K. Legg,1982 Models covered All VW Golf and Jetta MK 1 models with 1093 cc or 1272 cc engine Does not cover MK 2 models **Volkswagen Rabbit, GTI (A5) Service Manual: 2006, 2007, 2008, 2009: 2.0l Fsi, 2.5l** Bentley Publishers,2010-10-01 The Volkswagen Rabbit GTI Service Manual 2006 2009 is a comprehensive source of service information and specifications for Rabbit and GTI models built on the A5 platform from 2006 to 2009 Whether you re a professional or a do it yourself Volkswagen owner this manual will help you understand care for and repair your vehicle Engines covered 2 0L FSI turbo gasoline engine code BPY CBFA CCTA 2 5L gasoline engine code BGP BGQ CBTA CBUA Transmissions covered 0A4 5 speed manual 02Q 6 speed manual 09G 6 speed automatic 02E 6 speed DSG Toyota Corolla Service Manual, 1980, 1981, 1982, 1983 ,1983 The Toyota Truck Land Cruiser Owner s Bible TM is the authoritative companion book for your Toyota truck whether it s a heavy hauling pickup rugged off road FJ40 or a new Land Cruiser that s never left pavement Author veteran truck mechanic and off road expert Moses Ludel has written the only comprehensive source of information for Toyota Trucks and Land Cruisers a history buyer s guide service manual and high performance tuning book all in one Discover every aspect of Toyota trucks from their origins in 1958 to the latest technological advances You ll learn tips for buying the right new or used truck and which accessories make sense for your needs Step by step procedures with hundreds of photos cover basic maintenance and more complicated work like tune ups valve adjustments brake jobs and installing aftermarket suspension lift kits Get the hot set up for your truck whether you want low end torque

or high RPM power Moses gives specific tuning recommendations for engines from the early inline 6s to the advanced 4 5L 24 valve DJ engine He shares expert insights into the best high performance components and the latest technology from Toyota Racing Development You ll also find suspension and chassis modifications and the best tire and wheel combinations

Volkswagen New Beetle Bentley Publishers,2007 Service to Volkswagen owners is of top priority to the Volkswagen organization and has always included the continuing development and introduction of new and expanded services Whether you re a professional or a do it yourself Volkswagen owner this manual will help you understand care for and repair your Volkswagen Volkswagen New Beetle Although the do it yourself Volkswagen owner will find this manual indispensable as a source of theory of operation and step by step maintenance and repair information the Volkswagen owner who has no intention of working on his or her car will find that reading and owning this manual will make it possible to discuss repairs more intelligently with a professional technician Engines covered 1 8L turbo gasoline engine code APH AWV AWP BKF BNU 1 9L TDI diesel engine code ALH BEW 2 0L gasoline engine code AEG AVH AZG BDC BEV BGD 2 5L gasoline engine code BPR BPS Transmissions covered 02J 5 speed manual 02M 5 and 6 speed manual 0A4 5 speed manual 01M 4 speed automatic 09G 6 speed automatic 02E 6 speed direct shift gearbox DSG *Volkswagen Type 3 Workshop Manual* Bentley Publishers,2004 The Volkswagen Type 3 Workshop Manual 1961 1967 covers Type 3 models Fastback Squareback Notchback and Type 3 Karmann Ghia 1500 coupe This book represents the sixth title in our line of vintage Volkswagen repair manuals and compiles original Volkswagen official service and repair information for US and Canada Type 3 models for the first time in a single volume **How to Hot Rod Volkswagen Engines** Bill Fisher,1987-01-01 Fire and ice that s what you get when you take the cool looks of the Volkswagen Beetle Bus Karmann Ghia Thing Squareback or Fastback and unleash the hot performance of the air cooled VW engine How to hot Rod Volkswagen Engines gives the real skinny for breathing on blueprinting and bulletproofing your air cooled Vee dub Street custom kit car off road or full race this book gives you all the air cooled engine building basics to find and put to the pavement hidden horsepower Includes tips on carburetion ignition and exhaust tuning case beefing cylinder head flow work camshaft selection lubrication and cooling upgrades 6 to 12 volt conversions and much more Plus there s a natty 6 page history of the origins of the first air cooled VW engines Go ahead You deserve it Double or triple the output of your air cooled Volkswagen Or add 10 15 horsepower with easy bolt on mods Mild or wild do it the right way with this book More than 300 photos drawings and charts to guide you through your VW s innards And don t look back **Volkswagen Fox Service Manual** Robert Bentley, inc,Bentley Publishers,2003-04 Bentley Publishers is the exclusive factory authorized publisher of Volkswagen Service Manuals in the United States and Canada In every manual we provide full factory repair procedures specifications tolerances electrical wiring diagrams and lubrication and maintenance information Bentley manuals are the only complete authoritative source of Volkswagen maintenance and repair information Even if you never intend to service your car yourself you ll find that owning a Bentley Manual will help you

to discuss repairs more intelligently with your service technician

Volkswagen New Beetle Service Manual Bentley Publishers, Bentley Publishers Staff, 2002-10 Features Engine and cylinder head service repair and reconditioning including camshaft toothed belt setup and adjustment Coverage of Motronic 5 9 7 5 and Diesel Turbo Direct Injection TDI engine management systems Drivetrain maintenance troubleshooting adjustment and repair including hydraulic clutch gearshift linkage and drive axles Suspension component replacement including front struts rear shocks rear coil springs and wheel bearing hub units Repair information for ABS EDL ASR ESP brake systems Heating and air conditioning repair including A C component replacement Body adjustment and repairs including front and rear clip removal and installation Wiring schematics for all circuits including fuse relay locations and a general explanation of electrical circuitry New scan tool section with OBDII diagnostic trouble codes control module coding and readiness codes

Volkswagen Jetta, Golf, GTI Service Manual Bentley Publishers, 2003 Bentley Publishers is the exclusive factory authorized publisher of Volkswagen Service Manuals in the United States and Canada In every manual we provide full factory repair procedures specifications tolerances electrical wiring diagrams and lubrication and maintenance information Bentley manuals are the only complete authoritative source of Volkswagen maintenance and repair information Even if you never intend to service your car yourself you ll find that owning a Bentley Manual will help you to discuss repairs more intelligently with your service technician

VW GTI, Golf, Jetta, MK III & IV Kevin Clemens, Volkswagen s GTI Golf and Jetta are long time favorites among sport compact performance enthusiasts With engines ranging from the 2 0 liter naturally aspirated four cylinder to the 1 8 liter turbo 4 to the VR6 the Mk III and Mk IV generations 1993 2004 offer tuners a wealth of opportunities This book turns these opportunities into realities from deciding which vehicle to buy to keeping it running in tip top condition to enhancing the performance and appearance of your VW Focusing on the engine wheels and tires suspension body kits interiors and more each project includes straightforward instruction along with details about the necessary parts cost time and skill If you want to get the biggest bang for your VW buck this book is your road map

Volkswagen GTI Golf-Jetta Service Manual, 1985-1992 Robert Bentley, inc, 1992 New information covers the 2 0 liter 16V engine ABS troubleshooting service CIS E Motronic fuel injection Digifant I fuel injection with On Board Diagnosis ECO Diesel full manual transaxle rebuilding procedures A special Fundamentals section has been added to the beginning of the manual to help the owner understand the basics of automotive systems repair procedures The most comprehensive Golf manual available

VW Owners Workshop Manual, 1980

Volkswagen: Fastback, Squareback Volkswagen of America, Inc, 1974 This manual covers all 1968 through 1973 Fastback Squareback models with the latest data from Volkswagen of America Inc You will find step by step procedures for testing troubleshooting the fuel injection system without special equipment Clear photos show the order of assembly for rebuilding the manual automatic transmissions along with all wear tolerance specifications Like other Bentley manuals it features full wiring diagrams complete specifications troubleshooting tables for every year model

Volkswagen Jetta, Golf,

GTI, Cabrio Service Manual, 1993-1999 Bentley Publishers, Robert Bentley, inc, 1999 Bentley Publishers is the exclusive factory authorized publisher of Volkswagen Service Manuals in the United States and Canada In every manual we provide full factory repair procedures specifications tolerances electrical wiring diagrams and lubrication and maintenance information Bentley manuals are the only complete authoritative source of Volkswagen maintenance and repair information Even if you never intend to service your car yourself you ll find that owning a Bentley Manual will help you to discuss repairs more intelligently with your service technician

Getting the books **Vw Engine Manual** now is not type of inspiring means. You could not without help going behind book buildup or library or borrowing from your associates to gate them. This is an totally easy means to specifically get lead by on-line. This online declaration Vw Engine Manual can be one of the options to accompany you with having additional time.

It will not waste your time. say you will me, the e-book will completely expose you other event to read. Just invest little epoch to read this on-line revelation **Vw Engine Manual** as without difficulty as review them wherever you are now.

https://apps.mitogames.com.br/public/detail/index.jsp/Super_Fast_Slow_Cooking_Everyday_Cookbook_Collection.pdf

Table of Contents Vw Engine Manual

1. Understanding the eBook Vw Engine Manual
 - The Rise of Digital Reading Vw Engine Manual
 - Advantages of eBooks Over Traditional Books
2. Identifying Vw Engine Manual
 - Exploring Different Genres
 - Considering Fiction vs. Non-Fiction
 - Determining Your Reading Goals
3. Choosing the Right eBook Platform
 - Popular eBook Platforms
 - Features to Look for in an Vw Engine Manual
 - User-Friendly Interface
4. Exploring eBook Recommendations from Vw Engine Manual
 - Personalized Recommendations
 - Vw Engine Manual User Reviews and Ratings
 - Vw Engine Manual and Bestseller Lists
5. Accessing Vw Engine Manual Free and Paid eBooks
 - Vw Engine Manual Public Domain eBooks

- Vw Engine Manual eBook Subscription Services
- Vw Engine Manual Budget-Friendly Options
- 6. Navigating Vw Engine Manual eBook Formats
 - ePub, PDF, MOBI, and More
 - Vw Engine Manual Compatibility with Devices
 - Vw Engine Manual Enhanced eBook Features
- 7. Enhancing Your Reading Experience
 - Adjustable Fonts and Text Sizes of Vw Engine Manual
 - Highlighting and Note-Taking Vw Engine Manual
 - Interactive Elements Vw Engine Manual
- 8. Staying Engaged with Vw Engine Manual
 - Joining Online Reading Communities
 - Participating in Virtual Book Clubs
 - Following Authors and Publishers Vw Engine Manual
- 9. Balancing eBooks and Physical Books Vw Engine Manual
 - Benefits of a Digital Library
 - Creating a Diverse Reading Collection Vw Engine Manual
- 10. Overcoming Reading Challenges
 - Dealing with Digital Eye Strain
 - Minimizing Distractions
 - Managing Screen Time
- 11. Cultivating a Reading Routine Vw Engine Manual
 - Setting Reading Goals Vw Engine Manual
 - Carving Out Dedicated Reading Time
- 12. Sourcing Reliable Information of Vw Engine Manual
 - Fact-Checking eBook Content of Vw Engine Manual
 - Distinguishing Credible Sources
- 13. Promoting Lifelong Learning
 - Utilizing eBooks for Skill Development
 - Exploring Educational eBooks

14. Embracing eBook Trends

- Integration of Multimedia Elements
- Interactive and Gamified eBooks

Vw Engine Manual Introduction

Free PDF Books and Manuals for Download: Unlocking Knowledge at Your Fingertips In today's fast-paced digital age, obtaining valuable knowledge has become easier than ever. Thanks to the internet, a vast array of books and manuals are now available for free download in PDF format. Whether you are a student, professional, or simply an avid reader, this treasure trove of downloadable resources offers a wealth of information, conveniently accessible anytime, anywhere. The advent of online libraries and platforms dedicated to sharing knowledge has revolutionized the way we consume information. No longer confined to physical libraries or bookstores, readers can now access an extensive collection of digital books and manuals with just a few clicks. These resources, available in PDF, Microsoft Word, and PowerPoint formats, cater to a wide range of interests, including literature, technology, science, history, and much more. One notable platform where you can explore and download free Vw Engine Manual PDF books and manuals is the internet's largest free library. Hosted online, this catalog compiles a vast assortment of documents, making it a veritable goldmine of knowledge. With its easy-to-use website interface and customizable PDF generator, this platform offers a user-friendly experience, allowing individuals to effortlessly navigate and access the information they seek. The availability of free PDF books and manuals on this platform demonstrates its commitment to democratizing education and empowering individuals with the tools needed to succeed in their chosen fields. It allows anyone, regardless of their background or financial limitations, to expand their horizons and gain insights from experts in various disciplines. One of the most significant advantages of downloading PDF books and manuals lies in their portability. Unlike physical copies, digital books can be stored and carried on a single device, such as a tablet or smartphone, saving valuable space and weight. This convenience makes it possible for readers to have their entire library at their fingertips, whether they are commuting, traveling, or simply enjoying a lazy afternoon at home. Additionally, digital files are easily searchable, enabling readers to locate specific information within seconds. With a few keystrokes, users can search for keywords, topics, or phrases, making research and finding relevant information a breeze. This efficiency saves time and effort, streamlining the learning process and allowing individuals to focus on extracting the information they need. Furthermore, the availability of free PDF books and manuals fosters a culture of continuous learning. By removing financial barriers, more people can access educational resources and pursue lifelong learning, contributing to personal growth and professional development. This democratization of knowledge promotes intellectual curiosity and empowers individuals to become lifelong learners, promoting progress and innovation in various fields. It is worth noting that while

accessing free Vw Engine Manual PDF books and manuals is convenient and cost-effective, it is vital to respect copyright laws and intellectual property rights. Platforms offering free downloads often operate within legal boundaries, ensuring that the materials they provide are either in the public domain or authorized for distribution. By adhering to copyright laws, users can enjoy the benefits of free access to knowledge while supporting the authors and publishers who make these resources available. In conclusion, the availability of Vw Engine Manual free PDF books and manuals for download has revolutionized the way we access and consume knowledge. With just a few clicks, individuals can explore a vast collection of resources across different disciplines, all free of charge. This accessibility empowers individuals to become lifelong learners, contributing to personal growth, professional development, and the advancement of society as a whole. So why not unlock a world of knowledge today? Start exploring the vast sea of free PDF books and manuals waiting to be discovered right at your fingertips.

FAQs About Vw Engine Manual Books

1. Where can I buy Vw Engine Manual books? Bookstores: Physical bookstores like Barnes & Noble, Waterstones, and independent local stores. Online Retailers: Amazon, Book Depository, and various online bookstores offer a wide range of books in physical and digital formats.
2. What are the different book formats available? Hardcover: Sturdy and durable, usually more expensive. Paperback: Cheaper, lighter, and more portable than hardcovers. E-books: Digital books available for e-readers like Kindle or software like Apple Books, Kindle, and Google Play Books.
3. How do I choose a Vw Engine Manual book to read? Genres: Consider the genre you enjoy (fiction, non-fiction, mystery, sci-fi, etc.). Recommendations: Ask friends, join book clubs, or explore online reviews and recommendations. Author: If you like a particular author, you might enjoy more of their work.
4. How do I take care of Vw Engine Manual books? Storage: Keep them away from direct sunlight and in a dry environment. Handling: Avoid folding pages, use bookmarks, and handle them with clean hands. Cleaning: Gently dust the covers and pages occasionally.
5. Can I borrow books without buying them? Public Libraries: Local libraries offer a wide range of books for borrowing. Book Swaps: Community book exchanges or online platforms where people exchange books.
6. How can I track my reading progress or manage my book collection? Book Tracking Apps: Goodreads, LibraryThing, and Book Catalogue are popular apps for tracking your reading progress and managing book collections. Spreadsheets:

You can create your own spreadsheet to track books read, ratings, and other details.

7. What are Vw Engine Manual audiobooks, and where can I find them? Audiobooks: Audio recordings of books, perfect for listening while commuting or multitasking. Platforms: Audible, LibriVox, and Google Play Books offer a wide selection of audiobooks.
8. How do I support authors or the book industry? Buy Books: Purchase books from authors or independent bookstores. Reviews: Leave reviews on platforms like Goodreads or Amazon. Promotion: Share your favorite books on social media or recommend them to friends.
9. Are there book clubs or reading communities I can join? Local Clubs: Check for local book clubs in libraries or community centers. Online Communities: Platforms like Goodreads have virtual book clubs and discussion groups.
10. Can I read Vw Engine Manual books for free? Public Domain Books: Many classic books are available for free as they're in the public domain. Free E-books: Some websites offer free e-books legally, like Project Gutenberg or Open Library.

Find Vw Engine Manual :

super fast slow cooking everyday cookbook collection

successful acquisitions a proven plan for strategic growth

[successfactors recruiting configuration guide](#)

[sunbeam bread machine manual & recipes model 4810](#)

suncrest holiday cottages paignton

[sullair 24kt air compressor manual](#)

~~succulent wild love six powerful habits for feeling more love more often~~

sunrise telecom sunset t1 manual

subwoofer buying guide home theater

[sullair 160 cfm manual](#)

suntv old serial kolangal

summer according to humphrey

summit 1 dvd with activity worksheets top notch

suces dulcolorants douceurs am res

[success in high heels](#)

Vw Engine Manual :

[a two stage compression refrigeration system with a flash chamber](#) - Jun 03 2023

web download scientific diagram a two stage compression refrigeration system with a flash chamber from publication energy and exergy analysis of refrigeration systems exergy analysis

[two stage compression with water intercooler liquid sub youtube](#) - Oct 27 2022

web two stage compression with water intercooler liquid sub cooler and flash chamber teaching guru 26 3k subscribers join subscribe 22 1 5k views 3 years ago

[refrigeration questions and answers sanfoundry](#) - Feb 16 2022

web a two stage vapor compression with liquid intercooler and flash chamber b three stage vapor compression with water intercooler and liquid subcooler c two stage vapor compression with flash intercooler d two stage vapor compression with water intercooler liquid subcooler and flash intercooler view answer

what is the function of a flash inter cooler why it is not ques10 - Aug 05 2023

web a flash chamber is a device which separates liquid from vapors only liquid is then passed to evaporator and the vapors will be passed to the compressor directly this flash chamber between the condenser and evaporator is known as flash intercooling to ensure perfect pressure reduction and maximum liquid to be passed through evaporator

[flash chamber a device to maximize efficiency and performance](#) - Oct 07 2023

web the flash chamber provides a potentially important design element as part of the refrigeration cycle in this article you will learn about the purpose of a flash chamber its use in refrigeration its use vs flash tank and vapor injection courtesy grabcad

multi compression system with flash intercooler youtube - Sep 25 2022

web in this video i explained multi stage compression with flash inter cooling 1 schematic diagram 2 function of flash interccoler 3 how to draw p h diagram 4 equation of cop

[flash chamber an overview sciencedirect topics](#) - Jan 30 2023

web flash chamber the mass energy entropy and exergy balance equations for the flash chamber are as follows

multistage cycles refrigeration 2 stage liquid injection - Aug 25 2022

web flash intercooler can be used instead of subcooler all liquid is then reduced to medium pressure through suitable expansion valve the intercooler acts as a container for the division which flash gas generated in the process of expanding separated from the liquid

[refrigeration questions and answers sanfoundry](#) - Mar 20 2022

web explanation flash intercooler is the combination of flash chamber and intercooler flash chamber is used to separate

vapor and liquid refrigerant it is an insulated container and separates both forms by using the centrifugal effect intercooler decreases the temperature to the saturated vapor line before entering the second stage of compression

[quora a place to share knowledge and better understand the world](#) - May 02 2023

web we would like to show you a description here but the site won t allow us

[flash chamber and flash intercooler 2022 ai classmonitor](#) - Jul 04 2023

web 4 flash chamber and flash intercooler 2022 07 21 applications helping engineers to recognize why energy losses occur and how they can be reduced utilizing familiar thermodynamic principles the author describes the sources of energy available today explains how energy is used in buildings and how energy is lost and how this can be

thermodynamic analysis of double compression flash intercooling - Dec 29 2022

web mar 1 2016 the optimum gas cooler pressures of the three flash intercooler cycles are lower than that of the corresponding external intercooler cycle under low expander isentropic efficiencies this trend reverses when the *what is the difference between flash intercooler and flash chamber* - Jul 24 2022

web may 8 2018 answer a flash chamber is a device which separates liquid from vapors only liquid is then passed to evaporator and the vapors will be passed to the compressor directly this flash chamber between the condenser and evaporator is known as flash intercooling advertisement

example problem multistage refrigeration with flash chamber youtube - Nov 27 2022

web a two stage compression refrigeration system operates with refrigerant 134a between the pressure limits of 1.4 and 0.1 mpa the refrigerant leaves the conde

[what is flash chamber and its uses studybuff com](#) - May 22 2022

web jan 16 2020 a flash chamber is a device which separates liquid from vapors only liquid is then passed to evaporator and the vapors will be passed to the compressor directly this flash chamber between the condenser and evaporator is known as flash intercooling

multi stage compression with flash chamber water intercooler youtube - Apr 01 2023

web apr 9 2019 in this video i explained multi stage compression with flash chamber water intercooler and sub cooler 1 schematic diagram 2 function of flash inter cooler water intercooler and sub

thermodynamic calculations of two stage vapor compression - Jun 22 2022

web from the flash chamber mixes with the vapor leaving the low pressure stage compressor this vapor mixing chamber acts as a regenerative intercooler since it cools the superheated vapor leaving the low pressure

multi compression with flash intercooler flash chamber - Sep 06 2023

web apr 9 2019 in this video i explained multi compression with flash intercooler flash chamber water intercooler sub cooler

1 schematic diagram 2 function of flash inter cooler water

[flash intercooling diagram air conditioning beyond discovery](#) - Feb 28 2023

web aug 5 2023 in a flash intercooler cooling of superheated vapor is achieved by passing the vapor through a series of finned tubes located within a large chamber that is filled with cold air as the vapor passes through the finned tubes it is cooled by the cold air condensing some of the vapor into liquid

solved the flash chamber intercooler allows the refrigerant to ente - Apr 20 2022

web apr 6 2023 clearly the flash chamber intercooler allows the refrigerant to enter the 2nd state of the compressor of the vapour compression refrigeration system at the state of superheated vapour after the condenser condenses the refrigerant it is passed through an expansion valve to reduce its pressure to evaporator pressure

[meat planet artificial flesh and the future of food paperback](#) - Jul 25 2022

web oct 13 2020 meat planet explores the quest to generate meat in the lab a substance sometimes called cultured meat and asks what it means to imagine that this is the future of food neither an advocate nor a critic of cultured meat benjamin aldes wurgaft spent five years researching the phenomenon

[meat planet artificial flesh and the future of food](#) - Mar 01 2023

web meat planet explores the quest to generate meat in the lab a substance sometimes called cultured meat and asks what it means to imagine that this is the future of food neither an advocate nor a critic of cultured meat benjamin aldes wurgaft spent five years researching the phenomenon

meat planet artificial flesh and the future of food - Sep 07 2023

web meat planet explores the quest to generate meat in the lab a substance sometimes called cultured meat and asks what it means to imagine that this is the future of food neither an advocate nor a critic of cultured meat benjamin aldes wurgaft spent five years researching the phenomenon

meat planet artificial flesh and the future of food california - Apr 02 2023

web oct 13 2020 meat planet explores the quest to generate meat in the lab a substance sometimes called cultured meat and asks what it means to imagine that this is the future of food neither an advocate nor a critic of cultured meat benjamin aldes wurgaft spent five years researching the phenomenon

meat planet artificial flesh and the future of food - Oct 28 2022

web meat planet artificial flesh and the future of food benjamin aldes wurgaft university of california press sep 3 2019 hardcover 27 95 264pp 978 0 520 29553 7 benjamin aldes wurgaft s meat planet is a thoughtful examination of the technological ethical and cultural issues swirling around the development of artificial flesh

meat planet artificial flesh and the future of food google books - Jul 05 2023

web oct 13 2020 meat planet explores the quest to generate meat in the lab a substance sometimes called cultured meat and asks what it means to imagine that this is the future of food neither an

meat planet artificial flesh and the future of food worldcat org - Mar 21 2022

web meat planet artificial flesh and the future of food benjamin aldes wurgaft cyberspace meatspace meat promise fog doubt hope tree future prometheus memento copy philosophers maastricht kosher whale cannibals gathering parting

meat planet artificial flesh and the future of food nhbs - Jan 31 2023

web meat planet explores the quest to generate meat in the lab a substance sometimes called cultured meat and asks what it means to imagine that this is the future of food neither an advocate nor a critic of cultured meat benjamin aldes wurgaft spent five years researching the phenomenon

meat planet artificial flesh and the future of food volume 69 - Aug 06 2023

web sep 3 2019 62 ratings10 reviews in 2013 a dutch scientist unveiled the world s first laboratory created hamburger since then the idea of producing meat not from live animals but from carefully cultured tissues has spread like wildfire through the media

meat planet artificial flesh and the future of food apple books - Aug 26 2022

web dec 19 2019 meat planet explores the quest to generate meat in the lab a substance sometimes called cultured meat and asks what it means to imagine that this is the future of food neither an advocate nor a critic of cultured meat benjamin aldes wurgaft spent five years researching the phenomenon in m

meat planet artificial flesh and the future of food volume 69 - Jun 04 2023

web sep 3 2019 meat planet artificial flesh and the future of food volume 69 california studies in food and culture wurgaft benjamin aldes on amazon com free shipping on qualifying offers meat planet artificial flesh and the future of food volume 69 california studies in food and culture

meat planet artificial flesh and the future of food worldcat org - Nov 28 2022

web summary meat planet explores the quest to grow meat in laboratories a substance sometimes called cultured meat and asks what it means to imagine that this is the future of food this book takes the reader on a tour of the laboratories kitchens public debates and media events that may launch this novel food technology

meat planet artificial flesh and the future of food searchworks - May 23 2022

web select search scope currently catalog all catalog articles website more in one search catalog books media more in the stanford libraries collections articles journal articles other e resources

[meat planet artificial flesh and the future of food california](#) - May 03 2023

web meat planet explores the quest to generate meat in the lab a substance sometimes called cultured meat and asks what it

means to imagine that this is the future of food neither an advocate nor a critic of cultured meat benjamin aldes wurgaft spent five years researching the phenomenon

meat planet artificial flesh and the future of food california - Sep 26 2022

web sep 3 2019 meat planet artificial flesh and the future of food california studies in food and culture book 69 1st edition kindle edition by benjamin aldes wurgaft author format kindle edition 12 ratings part of california studies in food and culture 57 books see all formats and editions kindle 16 19 read with our free app audiobook

meat planet artificial flesh and the future of food youtube - Jun 23 2022

web aug 1 2019 meat planet artificial flesh and the future of food by benjamin aldes wurgaft available september 3rd 2019 from uc pressneither an advocate nor a critic

meat planet artificial flesh and the future of food on jstor - Oct 08 2023

web 978 0 520 96826 4 agriculture sociology history of science technology history food studies in 2013 a dutch scientist unveiled the world s first laboratory created hamburger since then the idea of producing meat not from live animals but from [amazon com meat planet artificial flesh and the future of food](#) - Apr 21 2022

web meat plane t explores the quest to generate meat in the lab a substance sometimes called cultured meat and asks what it means to imagine that this is the future of food neither an advocate nor a critic of cultured meat benjamin aldes wurgaft spent five years researching the phenomenon in meat planet he reveals how debates about lab grown

meat planet artificial flesh and the future of food 69 california - Feb 17 2022

web science nature maths engineering technology reference buy new 19 99 rrp 23 00 details save 3 01 13 free returns free delivery thursday 21 september details or fastest delivery tomorrow 19 september order within 19 hrs 24 mins details select delivery location quantity payment dispatches from sold by returns

how we could eat real meat without harming animals ted - Dec 30 2022

web meat planet artificial flesh and the future of food writer and historian ben wurgaft goes behind the scenes with the first wave of scientists and entrepreneurs trying to turn cultured meat from science fiction to reality

art of being normal williamson lisa 9781250144270 abebooks - Nov 28 2022

web a young adult novel about two transgender teens who figure out how to navigate life with help from each other a life changing and life saving book philip pullman

the art of being normal lisa williamson google books - Jan 31 2023

web the art of being normal lisa williamson david fickling books 2015 friendship 357 pages two boys two secrets david piper has always been an outsider his parents think he s gay the

the art of being normal summary supersummary - Feb 17 2022

web the art of being normal is lisa williamson s 2018 novel about two transgender students leo denton and david piper on leo s first day at his new school he has one goal to keep his head low and not draw any attention to himself

the art of being normal a novel paperback april 10 2018 - Jul 25 2022

web apr 10 2018 this novel which won awards in the uk is a first person narrative about two transgender students and is ideal for cisgender cis readers people who identify with the gender assigned to them at birth to learn more about gender identity and what it means to be transgender a margaret ferguson book

the art of being normal a novel hardcover 31 may 2016 - Apr 21 2022

web may 31 2016 an inspiring and timely debut novel from lisa williamson the art of being normal is about two transgender friends who figure out how to navigate teen life with help from each other david piper has always been an outsider his parents think he s gay the school bully thinks he s a freak

the art of being normal a novel amazon in - Mar 21 2022

web the art of being normal a novel williamson lisa amazon in books books english books buy new 854 00 m r p 894 00 save 40 00 4 inclusive of all taxes free delivery 23 24 november details select delivery location sold and fulfilled by bookswagon quantity add to cart buy now secure transaction new 13 from 85400

the art of being normal by lisa williamson review - May 23 2022

web jul 8 2016 the art of being normal is chock a block full of plot twists which motor the novel along keeping the pages turning one in particular is not entirely unexpected if you have read any coming of

the art of being normal by lisa williamson open library - Sep 26 2022

web apr 10 2018 the art of being normal by lisa williamson lisa williamson apr 10 2018 square fish edition paperback it looks like you re offline donate Čeština cs deutsch de english en español es the art of being normal a novel by lisa williamson and lisa williamson

the art of being normal by lisa williamson goodreads - Oct 08 2023

web jan 1 2015 david piper has always been an outsider his parents think he s gay the school bully thinks he s a freak only his two best friends know the real truth david wants to be a girl on the first day at his new school leo denton has one goal to be invisible

the art of being normal lisa williamson google books - Apr 02 2023

web jan 1 2015 the art of being normal lisa williamson david fickling books jan 1 2015 young adult fiction 364 pages two outsiders two secrets david longs to be a girl leo wants to be invisible when leo stands up for david in a fight an unlikely friendship forms but things are about to get messy

the art of being normal a novel lisa williamson google books - Dec 30 2022

web an inspiring and timely debut novel from lisa williamson the art of being normal is about two transgender friends who figure out how to navigate teen life with help from each other david

[the art of being normal by lisa williamson open library](#) - Sep 07 2023

web feb 28 2023 david piper has always been an outsider his parents think he s gay the school bully thinks he s a freak only his two best friends know the real truth david wants to be a girl on the first day at his new school leo denton has one goal to be invisible

[the art of being normal macmillan](#) - Mar 01 2023

web 04 10 2018 age range 14 18 book details a young adult novel about two transgender teens who figure out how to navigate life with help from each other a life changing and life saving book philip pullman on the first day at his new

the art of being normal a novel lisa williamson google books - Jun 04 2023

web apr 10 2018 the art of being normal a novel by lisa williamson is an uplifting story about two teenagers set in the modern day in the united kingdom the author was inspired to write this novel after

[the art of being normal a novel google books](#) - Aug 06 2023

web may 31 2016 an inspiring and timely debut novel from lisa williamson the art of being normal is about two transgender friends who figure out how to navigate teen life with help from each other david

the art of being normal a novel barnes noble - Aug 26 2022

web apr 10 2018 the art of being normal a novel by lisa williamson is an uplifting story about two teenagers set in the modern day in the united kingdom the author was inspired to write this novel after working in england s national health service in a department dedicated to helping teens who are questioning their gender identity

[the art of being normal a novel kindle edition amazon com](#) - May 03 2023

web may 31 2016 an inspiring and timely debut novel from lisa williamson the art of being normal is about two transgender friends who figure out how to navigate teen life with help from each other david piper has always been an outsider his parents think he s gay the school bully thinks he s a freak

the art of being normal edition open library - Jun 23 2022

web the art of being normal by lisa williamson lisa williamson david fickling books edition paperback it looks like you re offline donate Čeština cs deutsch de english en español es français fr hrvatski hr

[the art of being normal a novel amazon com](#) - Oct 28 2022

web apr 10 2018 amazon com the art of being normal a novel 9781250144270 williamson lisa books books teen young adult literature fiction buy new 8 29 list price 11 99 details save 3 70 31 get fast free shipping with amazon prime free returns free delivery thursday march 9 if you spend 25 on items shipped by

the art of being normal hardcover 1 jan 2015 amazon co uk - Jul 05 2023

web her debut novel for young adults the art of being normal was a best seller and won the 2016 waterstones children s book prize for best older fiction lisa lives in london with her partner step kids and a blue whippet called nelson 5 star