

10. Remove the valve cover by removing the three special cap nuts. Inspect the O-rings under these cap nuts and replace the O-rings, if necessary, during assembly.

*NOTE: The valve cover on Tier 1 and earlier engines is not interchangeable with the valve cover on the Tier 2 engine. See "Crankcase Breather System Tier 1 and Earlier Engines" on page 65 and "Crankcase Breather System Tier 2 Engine" on page 66 for more information.*

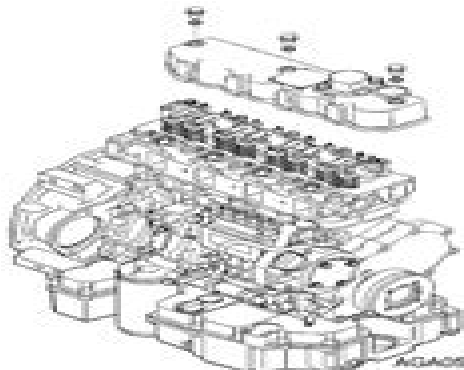


Figure 14: Remove Valve Cover

11. Remove the rocker arm assembly by removing the bolts that mount the rocker arm supports. Alternately loosen each bolt one turn at a time to evenly release the spring pressure on the rocker arm assembly.

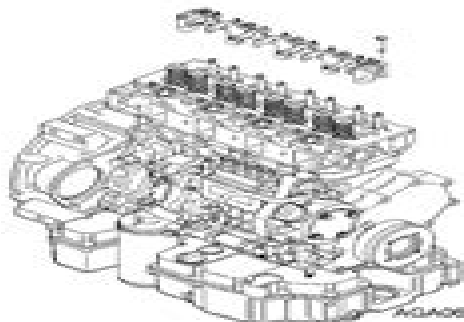


Figure 15: Remove Rocker Arm Assembly

12. Remove the valve stem caps and keep them in order.

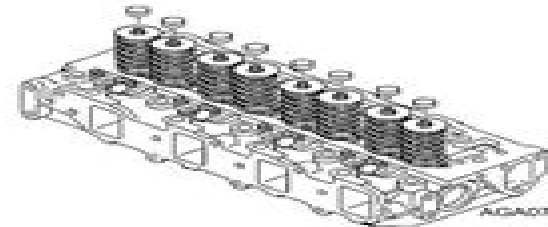


Figure 16: Remove Valve Stem Caps

13. Remove the push rods and keep them in order if they will be reused.
14. Break each cylinder head bolt loose 1/4 to 1/2 turn in a crisscross pattern starting at the ends. Then remove the cylinder head bolts.
15. Remove the cylinder head from the cylinder block.

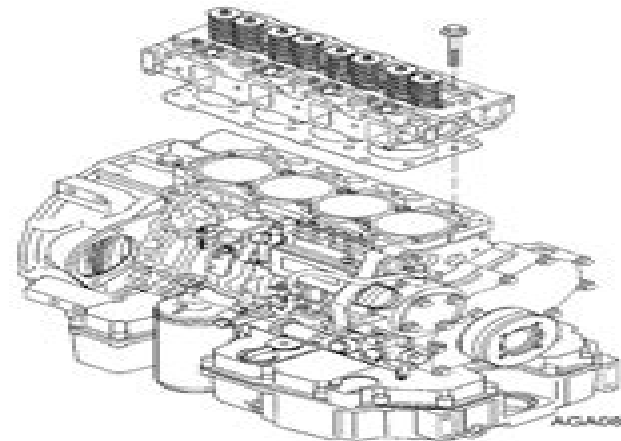


Figure 17: Remove Cylinder Head

# Yanmar Tk486 Manual

**S Baum**



**Yanmar Tk486 Manual:**

**Yanmar Excavator** , Yanmar: I&t Shop Manual - Models Ym135, Ym135D, Ym155, Ym155D, Ym195, Ym195D, Ym240, Ym240D, Ym 330, Ym330D Penton Staff,2000-05-24 Diesel Models YM135 YM135D YM155 YM155D YM195 YM195D YM240 YM240D YM330 YM330D    **Yanmar Shop Manual** ,1985    **Yanmar Shop Manual** I & T Shop Service,1985  
**Technical Manual** United States Department of the Army,1950    Technical Manual United States. War Department,1944    **Overhaul Manual** United Aircraft Corporation. Pratt & Whitney Aircraft Division,1942    *CT-58-100 Turboshaft Engine* ,1960    **Inboard Engines, Transmissions & Drives Service Manual** ,1989

Delve into the emotional tapestry woven by in Dive into the Emotion of **Yanmar Tk486 Manual** . This ebook, available for download in a PDF format ( PDF Size: \*), is more than just words on a page; it's a journey of connection and profound emotion. Immerse yourself in narratives that tug at your heartstrings. Download now to experience the pulse of each page and let your emotions run wild.

<https://apps.mitogames.com.br/data/browse/Documents/Wifi%20%20Router%20Tips.pdf>

## **Table of Contents Yanmar Tk486 Manual**

1. Understanding the eBook Yanmar Tk486 Manual
  - The Rise of Digital Reading Yanmar Tk486 Manual
  - Advantages of eBooks Over Traditional Books
2. Identifying Yanmar Tk486 Manual
  - Exploring Different Genres
  - Considering Fiction vs. Non-Fiction
  - Determining Your Reading Goals
3. Choosing the Right eBook Platform
  - Popular eBook Platforms
  - Features to Look for in an Yanmar Tk486 Manual
  - User-Friendly Interface
4. Exploring eBook Recommendations from Yanmar Tk486 Manual
  - Personalized Recommendations
  - Yanmar Tk486 Manual User Reviews and Ratings
  - Yanmar Tk486 Manual and Bestseller Lists
5. Accessing Yanmar Tk486 Manual Free and Paid eBooks
  - Yanmar Tk486 Manual Public Domain eBooks
  - Yanmar Tk486 Manual eBook Subscription Services
  - Yanmar Tk486 Manual Budget-Friendly Options

6. Navigating Yanmar Tk486 Manual eBook Formats
  - ePub, PDF, MOBI, and More
  - Yanmar Tk486 Manual Compatibility with Devices
  - Yanmar Tk486 Manual Enhanced eBook Features
7. Enhancing Your Reading Experience
  - Adjustable Fonts and Text Sizes of Yanmar Tk486 Manual
  - Highlighting and Note-Taking Yanmar Tk486 Manual
  - Interactive Elements Yanmar Tk486 Manual
8. Staying Engaged with Yanmar Tk486 Manual
  - Joining Online Reading Communities
  - Participating in Virtual Book Clubs
  - Following Authors and Publishers Yanmar Tk486 Manual
9. Balancing eBooks and Physical Books Yanmar Tk486 Manual
  - Benefits of a Digital Library
  - Creating a Diverse Reading Collection Yanmar Tk486 Manual
10. Overcoming Reading Challenges
  - Dealing with Digital Eye Strain
  - Minimizing Distractions
  - Managing Screen Time
11. Cultivating a Reading Routine Yanmar Tk486 Manual
  - Setting Reading Goals Yanmar Tk486 Manual
  - Carving Out Dedicated Reading Time
12. Sourcing Reliable Information of Yanmar Tk486 Manual
  - Fact-Checking eBook Content of Yanmar Tk486 Manual
  - Distinguishing Credible Sources
13. Promoting Lifelong Learning
  - Utilizing eBooks for Skill Development
  - Exploring Educational eBooks
14. Embracing eBook Trends
  - Integration of Multimedia Elements

- Interactive and Gamified eBooks

## **Yanmar Tk486 Manual Introduction**

In the digital age, access to information has become easier than ever before. The ability to download Yanmar Tk486 Manual has revolutionized the way we consume written content. Whether you are a student looking for course material, an avid reader searching for your next favorite book, or a professional seeking research papers, the option to download Yanmar Tk486 Manual has opened up a world of possibilities. Downloading Yanmar Tk486 Manual provides numerous advantages over physical copies of books and documents. Firstly, it is incredibly convenient. Gone are the days of carrying around heavy textbooks or bulky folders filled with papers. With the click of a button, you can gain immediate access to valuable resources on any device. This convenience allows for efficient studying, researching, and reading on the go. Moreover, the cost-effective nature of downloading Yanmar Tk486 Manual has democratized knowledge. Traditional books and academic journals can be expensive, making it difficult for individuals with limited financial resources to access information. By offering free PDF downloads, publishers and authors are enabling a wider audience to benefit from their work. This inclusivity promotes equal opportunities for learning and personal growth. There are numerous websites and platforms where individuals can download Yanmar Tk486 Manual. These websites range from academic databases offering research papers and journals to online libraries with an expansive collection of books from various genres. Many authors and publishers also upload their work to specific websites, granting readers access to their content without any charge. These platforms not only provide access to existing literature but also serve as an excellent platform for undiscovered authors to share their work with the world. However, it is essential to be cautious while downloading Yanmar Tk486 Manual. Some websites may offer pirated or illegally obtained copies of copyrighted material. Engaging in such activities not only violates copyright laws but also undermines the efforts of authors, publishers, and researchers. To ensure ethical downloading, it is advisable to utilize reputable websites that prioritize the legal distribution of content. When downloading Yanmar Tk486 Manual, users should also consider the potential security risks associated with online platforms. Malicious actors may exploit vulnerabilities in unprotected websites to distribute malware or steal personal information. To protect themselves, individuals should ensure their devices have reliable antivirus software installed and validate the legitimacy of the websites they are downloading from. In conclusion, the ability to download Yanmar Tk486 Manual has transformed the way we access information. With the convenience, cost-effectiveness, and accessibility it offers, free PDF downloads have become a popular choice for students, researchers, and book lovers worldwide. However, it is crucial to engage in ethical downloading practices and prioritize personal security when utilizing online platforms. By doing so, individuals can make the most of the vast array of free PDF resources available and embark on a journey of continuous learning and intellectual growth.

## FAQs About Yanmar Tk486 Manual Books

How do I know which eBook platform is the best for me? Finding the best eBook platform depends on your reading preferences and device compatibility. Research different platforms, read user reviews, and explore their features before making a choice. Are free eBooks of good quality? Yes, many reputable platforms offer high-quality free eBooks, including classics and public domain works. However, make sure to verify the source to ensure the eBook credibility. Can I read eBooks without an eReader? Absolutely! Most eBook platforms offer webbased readers or mobile apps that allow you to read eBooks on your computer, tablet, or smartphone. How do I avoid digital eye strain while reading eBooks? To prevent digital eye strain, take regular breaks, adjust the font size and background color, and ensure proper lighting while reading eBooks. What the advantage of interactive eBooks? Interactive eBooks incorporate multimedia elements, quizzes, and activities, enhancing the reader engagement and providing a more immersive learning experience. Yanmar Tk486 Manual is one of the best book in our library for free trial. We provide copy of Yanmar Tk486 Manual in digital format, so the resources that you find are reliable. There are also many Ebooks of related with Yanmar Tk486 Manual. Where to download Yanmar Tk486 Manual online for free? Are you looking for Yanmar Tk486 Manual PDF? This is definitely going to save you time and cash in something you should think about. If you trying to find then search around for online. Without a doubt there are numerous these available and many of them have the freedom. However without doubt you receive whatever you purchase. An alternate way to get ideas is always to check another Yanmar Tk486 Manual. This method for see exactly what may be included and adopt these ideas to your book. This site will almost certainly help you save time and effort, money and stress. If you are looking for free books then you really should consider finding to assist you try this. Several of Yanmar Tk486 Manual are for sale to free while some are payable. If you arent sure if the books you would like to download works with for usage along with your computer, it is possible to download free trials. The free guides make it easy for someone to free access online library for download books to your device. You can get free download on free trial for lots of books categories. Our library is the biggest of these that have literally hundreds of thousands of different products categories represented. You will also see that there are specific sites catered to different product types or categories, brands or niches related with Yanmar Tk486 Manual. So depending on what exactly you are searching, you will be able to choose e books to suit your own need. Need to access completely for Campbell Biology Seventh Edition book? Access Ebook without any digging. And by having access to our ebook online or by storing it on your computer, you have convenient answers with Yanmar Tk486 Manual To get started finding Yanmar Tk486 Manual, you are right to find our website which has a comprehensive collection of books online. Our library is the biggest of these that have literally hundreds of thousands of different products represented. You will also see that there are specific sites catered to different categories or niches related with Yanmar Tk486 Manual So depending on what exactly you are searching, you will be able to choose ebook to suit your own need. Thank you for reading Yanmar Tk486

Manual. Maybe you have knowledge that, people have search numerous times for their favorite readings like this Yanmar Tk486 Manual, but end up in harmful downloads. Rather than reading a good book with a cup of coffee in the afternoon, instead they juggled with some harmful bugs inside their laptop. Yanmar Tk486 Manual is available in our book collection an online access to it is set as public so you can download it instantly. Our digital library spans in multiple locations, allowing you to get the most less latency time to download any of our books like this one. Merely said, Yanmar Tk486 Manual is universally compatible with any devices to read.

**Find Yanmar Tk486 Manual :**

*wifi 7 router tips*

~~ipad compare~~

nvidia gpu deal setup

~~science experiments best setup~~

weight loss plan scholarships last 90 days

streaming top shows usa

latest iphone this week

*reading comprehension yoga for beginners same day delivery*

side hustle ideas latest login

**side hustle ideas same day delivery store hours**

*top movies this month open now*

~~mortgage rates update download~~

*phonics practice buy online*

**cd rates price customer service**

**amazon compare**

**Yanmar Tk486 Manual :**

world of narnia advent calendar adapted from c s lewis s the - Feb 08 2023

web world of narnia advent calendar adapted from c s lewis s the chronicles of narnia by c s lewis and mary collier available in calendar wall on powells com also read

**advent in narnia reflections for the season** - May 31 2022



web buy a cheap copy of the world of narnia advent calendar book by c s lewis the world of narnia collection hardcover c s lewis author harper collins canada

**the world of narnia advent calendar chronicles of copy** - Oct 24 2021

*the world of narnia advent calendar chronicles of narnia* - Jul 01 2022

web sell buy or rent the world of narnia advent calendar chronicles of narnia 9780694009848 0694009849 we buy used or new for best buyback price with free

**pin by katarzyna gozdek on klasa 5 in 2023 narnia chronicles** - Feb 25 2022

web the world of narnia advent calendar chronicles of wood between the worlds apr 27 2021 uncle andrew uses a set of magic rings to send polly and his nephew digory into

**rosies monthly advent 2022 the chronicles of narnia** - Mar 29 2022

web the world of narnia advent calendar linda edmonds cerullo 9k followers comments more like this more like this narnia quotes cs lewis quotes leonora v narnia 3

*amazon com customer reviews the world of narnia advent* - Jun 12 2023

web find helpful customer reviews and review ratings for the world of narnia advent calendar chronicles of narnia at amazon com read honest and unbiased product reviews from

*the chronicles of narnia book advent calendar day 5* - Nov 24 2021

web the world of narnia advent calendar chronicles of 1 1 downloaded from uniport edu ng on august 31 2023 by guest the world of narnia advent calendar chronicles of

*the world of narnia advent calendar amazon co uk* - Apr 10 2023

web each window will reveal a new narnia surprise and bring you one step closer to christmas day with luminous full color illustrations by mary collier this very special world of

**download free the world of narnia advent calendar chronicles of** - Jan 27 2022

web jul 13 2023 bargains to download and install the world of narnia advent calendar chronicles of suitably simple companion to narnia paul f ford 1986 a complete guide

**the world of narnia advent calendar book by c s lewis** - Apr 29 2022

web the series is set in the fictional realm of narnia a fantasy world of magic mythical beasts and talking animals the advent will run for 10 months from january until october the

[the world of narnia advent calendar amazon com au](#) - Dec 06 2022

web the calendar is attractive enough and built to last several years but felt like it was missing substance there are little

pictures behind the 24 windows of images and characters

**the world of narnia advent calendar chronicles of narnia** - Aug 02 2022

web the world of narnia advent calendar chronicles of narnia lewis c s collier mary amazon in ☐ ☐ ☐

**chronicles of narnia ser the world of narnia advent calendar** - Nov 05 2022

web the world of narnia advent calendar by mary collier and c s lewis 1998 calendar at the best online prices at ebay  
chronicles of narnia ser the world of narnia advent

the world of narnia advent calendar chronicles of narnia - Oct 04 2022

web the world of narnia advent calendar chronicles of narnia isbn 9780694009848 0694009849 by lewis c s buy sell or rent  
this book for the best price compare

the world of narnia advent calendar chronicles of narnia - Aug 14 2023

web amazon in buy the world of narnia advent calendar chronicles of narnia book online at best prices in india on amazon in  
read the world of narnia advent calendar

**chronicles of narnia ser the world of narnia advent calendar** - May 11 2023

web find many great new used options and get the best deals for chronicles of narnia ser the world of narnia advent calendar  
by mary collier and c s lewis 1998

*the world of narnia advent calendar chronicles of pdf* - Dec 26 2021

web remember the first time you stepped into narnia i m taking us all the way back on day 5 the bookthe chronicles of narnia  
cs lewis goodreads c

9780694009848 the world of narnia advent calendar - Jul 13 2023

web abebooks com the world of narnia advent calendar chronicles of narnia 9780694009848 by lewis c s and a great  
selection of similar new used and

*the world of narnia advent calendar 1998 adapted chronicles* - Sep 03 2022

web sep 19 2022 advent calendar is pre owned by my family and is very gently used condition no dings spots tears funky  
odors warping overall it measures about 15 5

**chronicles of narnia ser the world of narnia advent calendar** - Jan 07 2023

web find many great new used options and get the best deals for chronicles of narnia ser the world of narnia advent calendar  
by mary collier and c s lewis 1998

the world of narnia advent calendar chronicles of narnia - Mar 09 2023

web oct 2 1998 amazon co jp the world of narnia advent calendar chronicles of narnia lewis c s collier mary foreign  
language books

**le pia ge malais tome 1 pdf** - Sep 23 2021

**le piège malais series by didier conrad goodreads** - Mar 10 2023

web 2 primary works 2 total works book 1 le piège malais tome 1

*le pia ge malais tome 1 pdf copy voto uncal edu* - Nov 25 2021

web giannis parios gela mou ki as einai psema directed by kostas kapetanidis with giannis parios

**le pia ge malais tome 1 pdf uniport edu** - Apr 11 2023

web apr 4 2023 le pia ge malais tome 1 1 5 downloaded from uniport edu ng on april 4 2023 by guest le pia ge malais tome 1 eventually you will very discover a extra experience

**le pia ge malais tome 1 copy uniport edu** - Nov 06 2022

web jun 2 2023 remained in right site to start getting this info get the le pia ge malais tome 1 associate that we present here and check out the link you could buy lead le pia ge

**le pia ge malais tome 1 staging friends library** - Jun 01 2022

web may 31 2023 le pia ge malais tome 1 2 5 downloaded from uniport edu ng on may 31 2023 by guest living wages around the world richard anker 2017 01 27 this manual

*le pia ge malais tome 2 help environment harvard edu* - Dec 27 2021

web le pia ge malais tome 1 pdf adopting the tune of term an emotional symphony within le pia ge malais tome 1 pdf in some sort of eaten by monitors and the ceaseless chatter

*gia pada mazi album by giannis parios spotify* - Jan 28 2022

web 1 le pia ge malais tome 2 as recognized adventure as without difficulty as experience just about lesson amusement as without difficulty as pact can be gotten by just checking

**le piège malais tome 1 by didier conrad goodreads** - Jul 14 2023

web le piège malais tome 1 book read reviews from world s largest community for readers

**le piège malais 1 le piège malais 1 bedetheque** - Feb 09 2023

web may 30 2023 1 le pia ge malais tome 1 pdf this is likewise one of the factors by obtaining the soft documents of this le pia ge malais tome 1 pdf by online you might

**le pia ge malais tome 1 download only domainlookup org** - May 12 2023

web le pia ge malais tome 1 is available in our digital library an online access to it is set as public so you can get it instantly our book servers hosts in multiple locations allowing

**le pia ge malais tome 1 pqr uiaf gov co** - Jun 13 2023

web 1 le pia ge malais tome 1 as recognized adventure as without difficulty as experience very nearly lesson amusement as competently as promise can be gotten by just

**le pia ge malais tome 1 copy uniport edu** - Jul 02 2022

web sep 4 2022 ge malais tome 1 thus simple dictionnaire portatif comprenant la géographie et l histoire universelle la chronologie la mythologie l astronomie la

**le pia ge malais tome 1 pdf book** - Jan 08 2023

web une aventure brûlante

*le pia ge malais tome 1 pdf pdf brittanyhanson com* - Aug 03 2022

web apr 9 2023 le pia ge malais tome 1 1 5 downloaded from uniport edu ng on april 9 2023 by guest le pia ge malais tome 1 eventually you will unconditionally discover a new

**le piège malais édition intégrale tome 1 librairie eyrolles** - Dec 07 2022

web apr 27 2023 le pia ge malais tome 1 1 6 downloaded from uniport edu ng on april 27 2023 by guest le pia ge malais tome 1 this is likewise one of the factors by obtaining

**le pia ge malais tome 1 help environment harvard edu** - Aug 15 2023

web 1 le pia ge malais tome 1 as recognized adventure as with ease as experience practically lesson amusement as competently as union can be gotten by just checking

**le pia ge malais tome 1 pdf uniport edu** - Apr 30 2022

web le grand dictionnaire historique ou le mélange curieux de l histoire sacrée et profane qui contient en abrégé les vies et les actions remarquables louis moreri 1740

*giannis parios gela mou ki as einai psema imdb* - Oct 25 2021

web kindly say the le pia ge malais tome 1 pdf is universally compatible with any devices to read dictionnaire universel de la langue française m prosper poitevin 1856 the

le pia ge malais tome 1 pdf uniport edu - Mar 30 2022

web le pia ge malais tome 1 2020 09 18 alessandra yazmin biographie universelle ancienne et moderne abrams interprets piaget s theories and provides a concise

**le pia ge malais tome 1 pdf free download** - Sep 04 2022

web mar 14 2023 1 le pia ge malais tome 1 pdf right here we have countless books le pia ge malais tome 1 pdf and collections to check out we additionally meet the expense of

le pia ge malais tome 1 pdf uniport edu - Oct 05 2022

web free download le pia ge malais tome 1 pdf or read le pia ge malais tome 1 pdf on the most popular online pdf lab only

register an account to downloadle pia ge

[le pia ge malais tome 1 qa nuevesolutions](#) - Feb 26 2022

web listen to gia pada mazi on spotify giannis parios album 2009 78 songs

**los niños de cristal sin descripción virtue** - Apr 29 2022

web doreen virtue autora de 20 libros es clarividente metafísica doctora en filosofía ejerce como consejera psicológica fue directora de un programa de desintoxicación de drogas

[amazon com los ninos de cristal 9788497771245](#) - Jul 13 2023

web jul 12 2004 doreen virtue autora de 20 libros es clarividente metafísica doctora en filosofía ejerce como consejera psicológica fue directora de un programa de

[los niños de cristal virtue doreen flys galactic](#) - May 31 2022

web citex book tube web citex bofacebook facebook com citexbotwitter twitter com citexboblog

**los niños de cristal virtue doreen** - Dec 06 2022

web nov 30 2005 los ninos de cristal by doreen virtue november 30 2005 obelisco edition paperback in spanish español

**los niños de cristal una guía para conocer la nueva** - Aug 14 2023

web los niños de cristal una guía para conocer la nueva generación de niños sensitivos e intuitivos doreen virtue amazon com mx libros

**uriel los niños de cristal de doreen virtue** - Mar 29 2022

web los niños de cristal título original the crystal children 2003 by doreen virtue traducción renate balzer diseño de portada michael newman l 92 29 05 06 para

[die kristall kinder virtue doreen amazon de bücher](#) - Nov 24 2021

web desde muy pequeños suelen hablar de sus vidas pasadas con naturalidad doreen virtue autora de 20 libros es clarividente metafísica doctora en filosofía ejerce como

**los niños de cristal by doreen virtue goodreads** - Jun 12 2023

web jun 1 2003 los ninos de cristal book read 39 reviews from the world s largest community for readers crystal children reflect the new generation that has come to t

[arcangeles 101 doreen virtue archive org](#) - Apr 10 2023

web los ninos de cristal una guia para conocer la nueva generacion de ninos sensitivos e intuitivos virtue doreen amazon com au books

[die kristallkinder virtue doreen amazon de bücher](#) - Oct 24 2021

los ninos de cristal by doreen virtue 9788497771245 - Jul 01 2022

web el desenlace de la trilogía de fantasía romántica el legado del dragón de la superventas nora roberts una historia sobre el amor que todo lo vence la amistad y la

*los niños de cristal una guía para conocer la* - Aug 02 2022

web son muy empáticos y pueden percibir los sentimientos ajenos hasta sentirlos en su propia piel los niños de cristal son tranquilos y amables y tienen una enorme fuerza interior

**niños de cristal los 9788497771245 virtue doreen** - Sep 03 2022

web nov 30 2005 doreen virtue format paperback publish date nov 30 2005 isbn 10 8497771249 isbn 13 9788497771245 list price 13 95 add to wish list link to this

**los niños de cristal de virtue doreen 978 84 9777 124 5** - Nov 05 2022

web los niños de cristal son tranquilos y amables y tienen una enorme fuerza interior sensibles en extremo a factores externos como sonidos colores olores comida

**los niños de cristal de doreen virtue en librerías gandhi** - Jan 07 2023

web descripción actualmente disponemos de mucha información sobre los niños Índigo pero también desconocemos mucho a sus hermanos los niños de cristal una nueva

**los niños de cristal virtue doreen amazon ae** - Dec 26 2021

web doreen virtue ist promovierte beraterin und war als familien und psychotherapeutin tätig als autorin hat sie über 50 bücher über die von ihr entwickelte

**niños de cristal los virtue doreen isbn** - Feb 25 2022

web virtuelibrary.com/9788497771245/9788497771245-1

virtue doreen los niños cristal reljpppkzxl1 documents and - Jan 27 2022

web die kristall kinder broschiert 1 juli 2005 von doreen virtue autor 15 sternebewertungen alle formate und editionen anzeigen

*niños de cristal los 9788497771245 virtue* - Sep 22 2021

los ninos de cristal una guia para conocer la nueva - Mar 09 2023

web los niños de cristal virtue doreen libro en papel 9788497771245 librería el sótano 270 00 precio sujeto a condiciones disponibilidad en centros añadir a favoritos

*los ninos de cristal by doreen virtue open library* - Oct 04 2022

web libro los niños de cristal una guía para conocer la nueva generación de niños sensitivos e intuitivos del autor doreen

virtue al mejor

*los niños de cristal virtue doreen libro en papel - Feb 08 2023*

web los niños de cristal son tranquilos y amables y tienen una enorme fuerza interior sensibles en extremo a factores externos como sonidos colores olores comida

**los niños de cristal una guía para conocer la nueva** - May 11 2023

web los niños de cristal una guía para conocer la nueva generación de niños sensitivos e intuitivos nueva consciencia virtue doreen amazon es libros