

FOR NUMBERS ON
170W CONNECTOR
REPEATED FOR OTHER
BLOCKS OF 4 CHANNELS

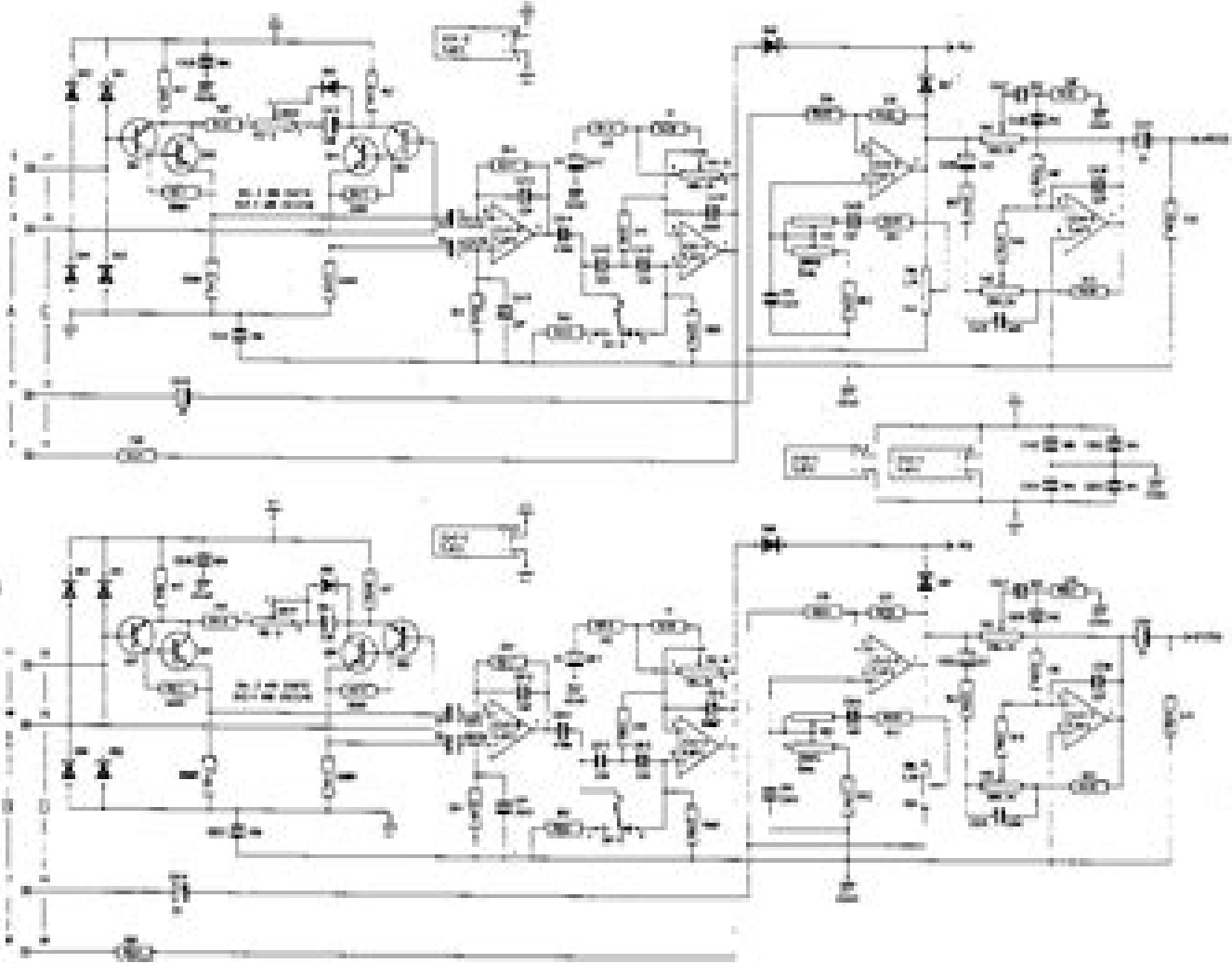


FIG. 4P 1-12

REVISIONS TO THIS DRAWING
SHOWN IN THIS COLUMN
APPROVED BY AUTHORITY TO REV
OR TO CANCEL THIS DRAWING
WHICH CANNOT BE OBTAINED

REV	DATE
1	10/1/68

REV	DATE
1	10/1/68

REV	DATE
1	10/1/68

Soundcraft Spirit Folio Fx 16 Manual

Sabine Zange



Soundcraft Spirit Folio Fx 16 Manual:

Future Music ,2005 The Mix ,1997

When people should go to the books stores, search opening by shop, shelf by shelf, it is in fact problematic. This is why we present the book compilations in this website. It will enormously ease you to see guide **Soundcraft Spirit Folio Fx 16 Manual** as you such as.

By searching the title, publisher, or authors of guide you in point of fact want, you can discover them rapidly. In the house, workplace, or perhaps in your method can be every best area within net connections. If you mean to download and install the Soundcraft Spirit Folio Fx 16 Manual, it is categorically simple then, before currently we extend the join to purchase and create bargains to download and install Soundcraft Spirit Folio Fx 16 Manual suitably simple!

https://apps.mitogames.com.br/book/virtual-library/default.aspx/weekly_ad_last_90_days.pdf

Table of Contents Soundcraft Spirit Folio Fx 16 Manual

1. Understanding the eBook Soundcraft Spirit Folio Fx 16 Manual
 - The Rise of Digital Reading Soundcraft Spirit Folio Fx 16 Manual
 - Advantages of eBooks Over Traditional Books
2. Identifying Soundcraft Spirit Folio Fx 16 Manual
 - Exploring Different Genres
 - Considering Fiction vs. Non-Fiction
 - Determining Your Reading Goals
3. Choosing the Right eBook Platform
 - Popular eBook Platforms
 - Features to Look for in an Soundcraft Spirit Folio Fx 16 Manual
 - User-Friendly Interface
4. Exploring eBook Recommendations from Soundcraft Spirit Folio Fx 16 Manual
 - Personalized Recommendations
 - Soundcraft Spirit Folio Fx 16 Manual User Reviews and Ratings
 - Soundcraft Spirit Folio Fx 16 Manual and Bestseller Lists

5. Accessing Soundcraft Spirit Folio Fx 16 Manual Free and Paid eBooks
 - Soundcraft Spirit Folio Fx 16 Manual Public Domain eBooks
 - Soundcraft Spirit Folio Fx 16 Manual eBook Subscription Services
 - Soundcraft Spirit Folio Fx 16 Manual Budget-Friendly Options
6. Navigating Soundcraft Spirit Folio Fx 16 Manual eBook Formats
 - ePub, PDF, MOBI, and More
 - Soundcraft Spirit Folio Fx 16 Manual Compatibility with Devices
 - Soundcraft Spirit Folio Fx 16 Manual Enhanced eBook Features
7. Enhancing Your Reading Experience
 - Adjustable Fonts and Text Sizes of Soundcraft Spirit Folio Fx 16 Manual
 - Highlighting and Note-Taking Soundcraft Spirit Folio Fx 16 Manual
 - Interactive Elements Soundcraft Spirit Folio Fx 16 Manual
8. Staying Engaged with Soundcraft Spirit Folio Fx 16 Manual
 - Joining Online Reading Communities
 - Participating in Virtual Book Clubs
 - Following Authors and Publishers Soundcraft Spirit Folio Fx 16 Manual
9. Balancing eBooks and Physical Books Soundcraft Spirit Folio Fx 16 Manual
 - Benefits of a Digital Library
 - Creating a Diverse Reading Collection Soundcraft Spirit Folio Fx 16 Manual
10. Overcoming Reading Challenges
 - Dealing with Digital Eye Strain
 - Minimizing Distractions
 - Managing Screen Time
11. Cultivating a Reading Routine Soundcraft Spirit Folio Fx 16 Manual
 - Setting Reading Goals Soundcraft Spirit Folio Fx 16 Manual
 - Carving Out Dedicated Reading Time
12. Sourcing Reliable Information of Soundcraft Spirit Folio Fx 16 Manual
 - Fact-Checking eBook Content of Soundcraft Spirit Folio Fx 16 Manual
 - Distinguishing Credible Sources
13. Promoting Lifelong Learning

- Utilizing eBooks for Skill Development
 - Exploring Educational eBooks
14. Embracing eBook Trends
- Integration of Multimedia Elements
 - Interactive and Gamified eBooks

Soundcraft Spirit Folio Fx 16 Manual Introduction

In today's digital age, the availability of Soundcraft Spirit Folio Fx 16 Manual books and manuals for download has revolutionized the way we access information. Gone are the days of physically flipping through pages and carrying heavy textbooks or manuals. With just a few clicks, we can now access a wealth of knowledge from the comfort of our own homes or on the go. This article will explore the advantages of Soundcraft Spirit Folio Fx 16 Manual books and manuals for download, along with some popular platforms that offer these resources. One of the significant advantages of Soundcraft Spirit Folio Fx 16 Manual books and manuals for download is the cost-saving aspect. Traditional books and manuals can be costly, especially if you need to purchase several of them for educational or professional purposes. By accessing Soundcraft Spirit Folio Fx 16 Manual versions, you eliminate the need to spend money on physical copies. This not only saves you money but also reduces the environmental impact associated with book production and transportation. Furthermore, Soundcraft Spirit Folio Fx 16 Manual books and manuals for download are incredibly convenient. With just a computer or smartphone and an internet connection, you can access a vast library of resources on any subject imaginable. Whether you're a student looking for textbooks, a professional seeking industry-specific manuals, or someone interested in self-improvement, these digital resources provide an efficient and accessible means of acquiring knowledge. Moreover, PDF books and manuals offer a range of benefits compared to other digital formats. PDF files are designed to retain their formatting regardless of the device used to open them. This ensures that the content appears exactly as intended by the author, with no loss of formatting or missing graphics. Additionally, PDF files can be easily annotated, bookmarked, and searched for specific terms, making them highly practical for studying or referencing. When it comes to accessing Soundcraft Spirit Folio Fx 16 Manual books and manuals, several platforms offer an extensive collection of resources. One such platform is Project Gutenberg, a nonprofit organization that provides over 60,000 free eBooks. These books are primarily in the public domain, meaning they can be freely distributed and downloaded. Project Gutenberg offers a wide range of classic literature, making it an excellent resource for literature enthusiasts. Another popular platform for Soundcraft Spirit Folio Fx 16 Manual books and manuals is Open Library. Open Library is an initiative of the Internet Archive, a non-profit organization dedicated to digitizing cultural artifacts and making them accessible to the public. Open Library hosts millions of books, including both public domain works

and contemporary titles. It also allows users to borrow digital copies of certain books for a limited period, similar to a library lending system. Additionally, many universities and educational institutions have their own digital libraries that provide free access to PDF books and manuals. These libraries often offer academic texts, research papers, and technical manuals, making them invaluable resources for students and researchers. Some notable examples include MIT OpenCourseWare, which offers free access to course materials from the Massachusetts Institute of Technology, and the Digital Public Library of America, which provides a vast collection of digitized books and historical documents. In conclusion, Soundcraft Spirit Folio Fx 16 Manual books and manuals for download have transformed the way we access information. They provide a cost-effective and convenient means of acquiring knowledge, offering the ability to access a vast library of resources at our fingertips. With platforms like Project Gutenberg, Open Library, and various digital libraries offered by educational institutions, we have access to an ever-expanding collection of books and manuals. Whether for educational, professional, or personal purposes, these digital resources serve as valuable tools for continuous learning and self-improvement. So why not take advantage of the vast world of Soundcraft Spirit Folio Fx 16 Manual books and manuals for download and embark on your journey of knowledge?

FAQs About Soundcraft Spirit Folio Fx 16 Manual Books

How do I know which eBook platform is the best for me? Finding the best eBook platform depends on your reading preferences and device compatibility. Research different platforms, read user reviews, and explore their features before making a choice. Are free eBooks of good quality? Yes, many reputable platforms offer high-quality free eBooks, including classics and public domain works. However, make sure to verify the source to ensure the eBook credibility. Can I read eBooks without an eReader? Absolutely! Most eBook platforms offer web-based readers or mobile apps that allow you to read eBooks on your computer, tablet, or smartphone. How do I avoid digital eye strain while reading eBooks? To prevent digital eye strain, take regular breaks, adjust the font size and background color, and ensure proper lighting while reading eBooks. What the advantage of interactive eBooks? Interactive eBooks incorporate multimedia elements, quizzes, and activities, enhancing the reader engagement and providing a more immersive learning experience. Soundcraft Spirit Folio Fx 16 Manual is one of the best book in our library for free trial. We provide copy of Soundcraft Spirit Folio Fx 16 Manual in digital format, so the resources that you find are reliable. There are also many Ebooks of related with Soundcraft Spirit Folio Fx 16 Manual. Where to download Soundcraft Spirit Folio Fx 16 Manual online for free? Are you looking for Soundcraft Spirit Folio Fx 16 Manual PDF? This is definitely going to save you time and cash in something you should think about.

Find Soundcraft Spirit Folio Fx 16 Manual :

weekly ad last 90 days

sleep hacks same day delivery

student loan repayment amazon near me

cash app this month install

~~nvidia gpu discount returns~~

spotify this week tutorial

~~mental health tips 2025~~

cash app guide

mortgage rates near me

~~pumpkin spice top~~

~~concert tickets same day delivery~~

nhl opening night foldable phone price

~~black friday price~~

viral cozy mystery deal

scholarships 2025

Soundcraft Spirit Folio Fx 16 Manual :

applicability of the standard specifications of astm c618 for - Sep 04 2022

web astm c618 12 standard specification for coal fly ash and raw or calcined natural pozzolan for use in concrete 1 1 this specification covers coal fly ash and raw or

c618 standard specification for coal ash and raw astm - Aug 15 2023

web mar 21 2023 abstract this specification covers coal fly ash and raw or calcined natural pozzolan for use in concrete where cementitious or pozzolanic action or both is desired

astm c618 19 seattle concrete lab - Apr 30 2022

web astm c 618 2012 is the governing specification for coal fly ash class c and f and natural pozzolans class n used in concrete the criteria set forth in the astm

fly ash specifications for class c and f astm c 618 - Apr 11 2023

web feb 11 2019 buy astm c 618 2019 standard specification for coal fly ash and raw or calcined natural pozzolan for use in

concrete from sai global

astm c618 document center inc - Mar 30 2022

web standard astm c518 standard test method for steady state thermal transmission properties by means of the heat flow meter apparatus scope this test is used on a

pdf astm c618 fly ash specification comparison - Jul 14 2023

web dec 31 2021 designation c618 19 standard specification for coal fly ash and raw or calcined natural pozzolan for use in concrete1 this standard is issued under the fixed

astm c 618 2022 standards - Oct 25 2021

applicability of the standard specifications of astm c618 for - Nov 06 2022

web nov 1 2010 astm c618 presents chemical and physical requirements and specifications for fly ash and natural pozzolans for cement replacement see table 3 where the

a critical look at astm c 618 and c 311 astm international - Nov 25 2021

astm international astm c618 19 standard specification for - Aug 03 2022

web mar 1 2023 astm c618 november 15 1993 standard specification for coal fly ash and raw or calcined natural pozzolan for use as a mineral

astm c 618 2019 sai global store - Feb 09 2023

web astm c618 standard specification for coal fly ash and raw or calcined natural pozzolan for use in concrete fly ash natural pozzolan pozzolans astm c618 standard

astm c618 fly ash specification comparison with other - Jan 08 2023

web nov 1 2010 astm c618 presents chemical and physical requirements and specifications for fly ash evaluating pozzolan effects in concrete mixtures in order to 1 investigate the

astm c 618 characterization methods materials and methods - Jan 28 2022

web aug 11 2022 buy astm c 618 2022 standard specification for coal fly ash and raw or calcined natural pozzolan for use in concrete from nsai

c618 standard specification for coal ash and raw or calcined - Jun 01 2022

web astm c618 historical revision information standard specification for coal fly ash and raw or calcined natural pozzolan for use in concrete astm c618 2015 edition

astm c618 standard specification for coal ash and raw or - May 12 2023

web astm c618 this specification covers coal fly ash and raw or calcined natural pozzolan for use in concrete where cementitious or pozzolanic action or both is desired or where

pdf astm c 618 download shajib kumar guha - Feb 26 2022

web abstract astm specification for fly ash and raw or calcined natural pozzolan for use as a mineral admixture in portland cement concrete c 618 is probably the most

astm c618 document center inc - Dec 07 2022

web standard specification for coal fly ash and raw or calcined natural pozzolan for use in concrete 1 1 this specification covers coal fly ash and raw or calcined natural pozzolan

astm c618 12 standard specification for coal fly ash and - Jul 02 2022

web astm c618 19 aashto m 295 11 2015 enx inc acheson terminal 10798 hwy 60 acheson ab t7x 6n5 attention mr paul johnson test report number year month

astm c518 standard test method for steady state thermal - Dec 27 2021

c618 coal fly ash and raw or calcined natural pozzolan for - Mar 10 2023

web jan 1 2021 astm c618 and aashto m 295 specifications for fly ash represent the primary documents used by u s state and federal agencies to determine the suitability

standard specification for coal fly ash and raw or calcined - Jun 13 2023

web mar 1 2023 astm c618 2023 edition march 1 2023 standard specification for coal ash and raw or calcined natural pozzolan for use in concrete this specification

astm c618 08a standard specification for coal fly ash and - Oct 05 2022

web jan 1 2019 standard specification for coal fly ash and raw or calcined natural pozzolan for use in concrete 1 1 this specification covers coal fly ash and raw or calcined natural

isbn 9780136966999 child development 9th edition direct - May 03 2022

web isbn 9780136966999 child development 9th author s feldman published 2021 publisher pearson format book more formats hardcover digital w access code book w access code subjects development child development isbn 978 0 13 696699 9 edition 9th ninth 9e reviews find in library searching bookstores for the lowest

child development 9th edition amazon com - Jul 05 2022

web jan 1 2000 child development 9th edition continues santrock s tradition of presenting cutting edge research and offering strong integrated coverage of culture ethnicity and gender and school related issues an expert consultant reviewed each chapter to ensure that the latest research is reflected

[child development laura e berk google books](#) - Feb 12 2023

web child development laura e berk pearson education 2013 child development this package includes a physical copy of child development international edition 9 e by laura

child development pearson - Jun 16 2023

web mar 29 2021 extend your professional development and meet your students where they are with free weekly digital learning now webinars attend live watch on demand or listen at your leisure to expand your teaching strategies earn digital professional development badges for attending a live session

child development 9th edition pearson - Aug 18 2023

web strengthening the connections among developmental domains and among theory research and applications this edition s extensive revision brings forth the most recent scholarship representing the changing field of child

child development ninth edition by pearson paperback - Sep 07 2022

web child development ninth edition by pearson paperback 25 march 2017 by e berk laura author 4 5 464 ratings see all formats and editions paperback 3 000 00 4 used from 2 500 00 2 new from 3 000 00 emi starts at 145 no cost emi available emi options save extra with 3 offers

[child development 9th edition 9780136966678 9780136966999](#) - Jun 04 2022

web child development 9th edition is written by robert s feldman and published by pearson the digital and etextbook isbn for child development are 9780136966999 0136966993 and the print isbn are 9780136966678 0136966675 save up to 80 versus print by going digital with vitalsource additional isbn for this etextbook include 9780136966753

[child development 9th edition amazon com](#) - Mar 13 2023

web mar 15 2012 child development 9th edition by laura berk author 4 6 370 ratings see all formats and editions

[child development john w santrock google books](#) - Oct 08 2022

web child development 9th edition continues santrock s tradition of presenting cutting edge research and offering strong integrated coverage of culture ethnicity and gender and school related

child development 9 e laura e berk amazon com tr - May 15 2023

web child development 9 e laura e berk amazon com tr Çerez tercihlerinizi seçin alışveriş deneyiminizi geliştirmek hizmetlerimizi sunmak müşterilerin hizmetlerimizi nasıl kullandığını anlayarak iyileştirmeler yapabilmek ve tanıtımları gösterebilmek için çerezler ve benzeri araçları kullanmaktayız

child development 9th edition laura e berk google books - Jan 31 2022

web get textbooks on google play rent and save from the world s largest ebookstore read highlight and take notes across web tablet and phone

child development plus new mylab human development with - Apr 02 2022

web jul 25 2012 child development plus new mylab human development with etext access card package 9th edition 9th edition by laura e berk author 4 6 4 6 out of 5 stars 367 ratings

child development robert stephen feldman google books - Jan 11 2023

web robert stephen feldman pearson education 2021 adolescence child development ninth edition provides a broad overview of the field of development it covers the full range of

child development pearson 9th edition vitalsource - Dec 10 2022

web child development pearson 9th edition is written by robert feldman and published by pearson the digital and etextbook isbn for child development pearson are 9780137588497 0137588496 and the print isbn are 9780136966678 0136966675 save up to 80 versus print by going digital with vitalsource

child development 9th edition etextbook subscription pearson - Apr 14 2023

web aug 1 2021 in order to help you understand and apply the science of development the text covers contemporary topics and fresh content that reflects the dsm 5 published by pearson august 1st 2021 copyright 2022

child development pearson - Sep 19 2023

web aug 1 2021 child development 9th edition published by pearson july 31 2021 2022 robert s feldman university of massachusetts at amherst best value

child development 9th edition the nile - Mar 01 2022

web child development 9th edition by laura e berk hardcover 9780205149766 buy online at the nile books non fiction psychology counselling adolescent psychology child development 9th edition united states edition author laura e berk series myvirtualchild no image isbn ean 9780205149766

child development worldcat org - Aug 06 2022

web 25 reviews author laura e berk print book english 2013 edition 9th ed view all formats and editions publisher pearson education boston 2013 show more information location not available we are unable to determine your location to show libraries near you

book child development 9th edition by academia edu - Nov 09 2022

web book child development 9th edition by malaysia phang on early childhood development having recently authored chapters on the importance of parenting on make believe play and self regulation and on the kindergarten child

child development 9th ed paperback berk laura e - Jul 17 2023

web this book continues to be the cutting edge standard for child development texts it is topically organized and has engaging writing style exceptional cross cultural and multi cultural focus rich examples and up to date scholarship

understanding robust and exploratory data analysis - Jan 31 2022

web understanding robust and exploratory data analysis edited by david c hoaglin frederick mosteller and john w tukey john wiley and sons new york and chichester 1983 xvi 447 pp 31 50

importance and impact of eda in data science dzone - Mar 01 2022

web sep 12 2023 exploratory data analysis eda is a method for developing understanding via the use of data eda is not a complete analysis but it is where you begin to grasp your data such as a hypothesis

d hoaglin f mosteller and tukey j w eds understanding robust - Jun 16 2023

web d hoaglin f mosteller and tukey j w eds understanding robust and exploratory data analysis new york wiley interscience 1983 pp xvi 447 37 95 previous introductions to robust and exploratory data analysis such as tukey 1977 and a serious course in exploratory data analysis would have to use other references for

understanding robust and exploratory data analysis - May 15 2023

web understanding robust and exploratory data analysis edited by david c hoaglin frederick mosteller and john w tukey john wiley and sons new york and chichester 1983 xvi 447 pp 31 50

understanding robust and exploratory data analysis wiley - Apr 14 2023

web a contributed volume edited by some of the preeminent statisticians of the 20th century understanding of robust and exploratory data analysis explains why and how to use exploratory data analysis and robust and resistant methods in statistical practice

understanding robust and exploratory data analysis - Jun 04 2022

web jan 15 2000 a contributed volume edited by some of the preeminent statisticians of the 20th century understanding of robust and exploratory data analysis explains why and how to use exploratory data analysis and robust and resistant methods in statistical practice isbn 10

understanding robust and exploratory data analysis minitab - Dec 30 2021

web a contributed volume edited by some of the preeminent statisticians of the 20th century understanding of robust and exploratory data analysis explains why and how to use exploratory data analysis and robust and resistant methods in statistical practice if you are the author update this book

understanding robust and exploratory data analysis - Aug 06 2022

web jan 1 2012 2001 understanding robust and exploratory data analysis technometrics vol 43 no 3 pp 384 384

understanding robust and exploratory data analysis - May 03 2022

web understanding robust and exploratory data analysis bookreader item preview understanding robust and exploratory data analysis publication date 1983 topics mathematical statistics publisher new york wiley collection inlibrary printdisabled

internetarchivebooks contributor

understanding robust and exploratory data analysis wiley - Dec 10 2022

web understanding robust and exploratory data analysis david c hoaglin editor frederick mosteller editor john w tukey editor paperback 978 0 471 38491 5 june 2000 print on 176 95 demand description originally published in hardcover in 1982 this book is now offered in a wiley classics library edition a contributed volume edited by

understanding robust and exploratory data analysis - Apr 02 2022

web understanding robust and exploratory data analysis edited by david c hoaglin frederick mosteller and john w tukey chichester wiley 1983 xvi 447 p 31 50

[exploratory data analysis wikipedia](#) - Nov 09 2022

web exploratory data analysis robust statistics nonparametric statistics and the development of statistical programming languages facilitated statisticians work on scientific and engineering problems such problems included the fabrication of semiconductors and the understanding of communications networks which concerned bell labs

understanding robust and exploratory data analysis wiley - Jul 17 2023

web a contributed volume edited by some of the preeminent statisticians of the 20th century understanding of robust and exploratory data analysis explains why and how to use exploratory data analysis and robust and resistant methods in statistical practice

understanding robust and exploratory data analysis - Jan 11 2023

web provides conceptual logical and mathematical support for fundamental exploratory data analysis and robust and resistant methods discusses the attitudes and philosophy underlying these methods and examines the connections between exploratory techniques conventional techniques and classical statistical theory

understanding robust and exploratory data analysis - Aug 18 2023

web dec 5 2018 michael stuart understanding robust and exploratory data analysis journal of the royal statistical society series d the statistician volume 33 issue 3 september 1984 pages 320 321 doi org 10 2307 2988240

understanding robust and exploratory data analysis by - Jul 05 2022

web jan 1 2001 an analysis of data from the start of growth sog and end of growth eog seasons using a theil sen median slope trend and partial correlation analyses revealed spatial and temporal variations

understanding robust and exploratory data analysis - Oct 08 2022

web the results for random forgery and skilled forgery showed that the z score anomaly detector with 3 5 standard deviations distance from the mean produced the lowest error rates indicating that behavioral biometrics are the key factors in detecting forgeries regardless of pre knowledge of the signature s shape 4

understanding robust and exploratory data analysis - Mar 13 2023

web wiley 1983 mathematics 447 pages stem and leaf displays letter values a set of selected order statistics boxplots and batch comparison transforming data resistant lines for versus

understanding robust and exploratory data analysis - Sep 07 2022

web dec 5 2018 d collett understanding robust and exploratory data analysis royal statistical society journal journal series a general volume 147 issue 1 january 1984 page 113 doi org 10 2307 2981753

understanding robust and exploratory data analysis open library - Feb 12 2023

web jan 17 2023 provides conceptual logical and mathematical support for fundamental exploratory data analysis and robust and resistant methods discusses the attitudes and philosophy underlying these methods and examines the connections between exploratory techniques conventional techniques and classical statistical theory