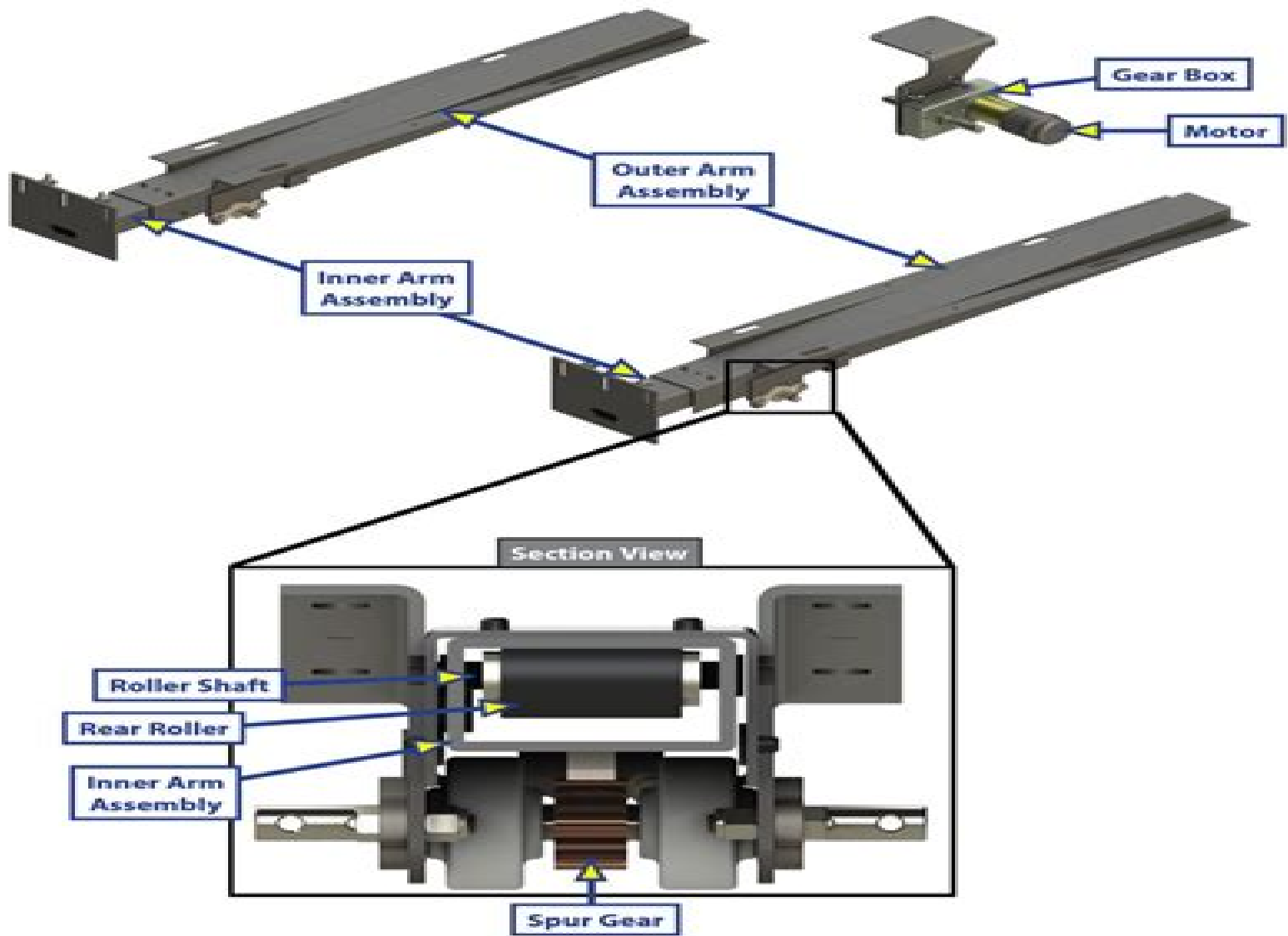




2 X 3 ELECTRIC THROUGH FRAME SLIDE-OUT ASSEMBLY

SLIDE-OUTS



Venture Slide Out Manual Override

O García



Venture Slide Out Manual Override:

Echoes From The Void: A Journey Into Fear Mr Craig Organ,2024-07-23 Discover the terror of space in Echoes from the Void where the endless expanse holds secrets that defy comprehension Set aboard a forgotten space station drifting in the abyss this gripping narrative plunges readers into the depths of cosmic horror and existential dread Awakening amidst fractured memories and eerie surroundings our protagonists embark on a chilling journey through the station s cold metallic corridors and malfunctioning systems They quickly realize they are not alone Hallucinations reality glitches and unseen extraterrestrial entities lurk preying on their deepest fears At the heart of this spaceborne nightmare lies a creature of unimaginable terror a grotesque intelligent force spawned from the very fabric of space itself Relentless and malevolent it stalks with deadly intent driving the protagonists to the brink of madness With oxygen dwindling and paranoia mounting they must uncover the station s tragic past and confront cosmic horrors within its steel confines Survival is no easy feat The creature and its cunning offspring challenge their sanity and perception blurring lines between friend and foe truth and illusion Echoes from the Void offers more than terror it immerses readers in a harrowing journey filled with atmospheric descriptions haunting imagery and relentless pacing that grips until the final page Beyond horror the narrative explores themes of loss betrayal and resilience in the face of insurmountable odds As the protagonists confront their fears and make fateful choices the story delves into the human psyche revealing depths of character and emotion rarely explored in cosmic horror Are you ready to brave the darkness uncover the truth and face the echoes that haunt the void Echoes from the Void promises an unforgettable experience an exploration of fear and the unknown that will linger in your thoughts long after the final echo fades away Prepare to journey into the abyss Echoes from the Void beckons but beware once you enter there may be no escape from the horrors that dwell in the shadows of space Don t miss your chance to be part of this thrilling adventure and the upcoming game Secure your copy of Echoes from the Void today Remember only the first 100 buyers will have their names immortalized in the game s credits REMEMBER WHEN YOU PURCHASE THE BOOK EMAIL MESSAGE ME ON HERE VISIT MY GAME PAGE ON MODDB BY TYPING ECHOES FROM THE VOID INTO GOOGLE TO CONTACT ME WITH YOUR

PROOF OF PURCHASE AND YOUR NAME *Western Machinery and Steel World ...* ,1963 **National Library of Medicine Audiovisuals Catalog** National Library of Medicine (U.S.), Control & Instrumentation ,1971 **TCI** ,1997
Walden's Stationer and Printer ,1909 *American Machinist & Automated Manufacturing* ,1924 **English Mechanic and World of Science** ,1885 **The Christian Advocate** ,1908 **English Mechanic and Mirror of Science** ,1870 **Engineering News and American Contract Journal** ,1903 **Engineering Record, Building Record and Sanitary Engineer** Henry Coddington Meyer,Charles Frederick Wingate,1884 *Engineering* ,1871 *NASA Tech Briefs* ,2002 **Engineering News-record** ,1903 *The Family* ,1929 **English Mechanic and Mirror of Science and Art** ,1883 Engineering News ,1903 Army-Navy-Air Force Register and Defense Times ,1914 *Mining*

and Scientific Press ,1894

Ignite the flame of optimism with is motivational masterpiece, Fuel Your Spirit with **Venture Slide Out Manual Override** . In a downloadable PDF format (Download in PDF: *), this ebook is a beacon of encouragement. Download now and let the words propel you towards a brighter, more motivated tomorrow.

https://apps.mitogames.com.br/files/publication/Download_PDFS/spectra_precision_ranger_manual.pdf

Table of Contents Venture Slide Out Manual Override

1. Understanding the eBook Venture Slide Out Manual Override
 - The Rise of Digital Reading Venture Slide Out Manual Override
 - Advantages of eBooks Over Traditional Books
2. Identifying Venture Slide Out Manual Override
 - Exploring Different Genres
 - Considering Fiction vs. Non-Fiction
 - Determining Your Reading Goals
3. Choosing the Right eBook Platform
 - Popular eBook Platforms
 - Features to Look for in an Venture Slide Out Manual Override
 - User-Friendly Interface
4. Exploring eBook Recommendations from Venture Slide Out Manual Override
 - Personalized Recommendations
 - Venture Slide Out Manual Override User Reviews and Ratings
 - Venture Slide Out Manual Override and Bestseller Lists
5. Accessing Venture Slide Out Manual Override Free and Paid eBooks
 - Venture Slide Out Manual Override Public Domain eBooks
 - Venture Slide Out Manual Override eBook Subscription Services
 - Venture Slide Out Manual Override Budget-Friendly Options
6. Navigating Venture Slide Out Manual Override eBook Formats

- ePub, PDF, MOBI, and More
 - Venture Slide Out Manual Override Compatibility with Devices
 - Venture Slide Out Manual Override Enhanced eBook Features
7. Enhancing Your Reading Experience
 - Adjustable Fonts and Text Sizes of Venture Slide Out Manual Override
 - Highlighting and Note-Taking Venture Slide Out Manual Override
 - Interactive Elements Venture Slide Out Manual Override
 8. Staying Engaged with Venture Slide Out Manual Override
 - Joining Online Reading Communities
 - Participating in Virtual Book Clubs
 - Following Authors and Publishers Venture Slide Out Manual Override
 9. Balancing eBooks and Physical Books Venture Slide Out Manual Override
 - Benefits of a Digital Library
 - Creating a Diverse Reading Collection Venture Slide Out Manual Override
 10. Overcoming Reading Challenges
 - Dealing with Digital Eye Strain
 - Minimizing Distractions
 - Managing Screen Time
 11. Cultivating a Reading Routine Venture Slide Out Manual Override
 - Setting Reading Goals Venture Slide Out Manual Override
 - Carving Out Dedicated Reading Time
 12. Sourcing Reliable Information of Venture Slide Out Manual Override
 - Fact-Checking eBook Content of Venture Slide Out Manual Override
 - Distinguishing Credible Sources
 13. Promoting Lifelong Learning
 - Utilizing eBooks for Skill Development
 - Exploring Educational eBooks
 14. Embracing eBook Trends
 - Integration of Multimedia Elements
 - Interactive and Gamified eBooks

Venture Slide Out Manual Override Introduction

Venture Slide Out Manual Override Offers over 60,000 free eBooks, including many classics that are in the public domain. Open Library: Provides access to over 1 million free eBooks, including classic literature and contemporary works. Venture Slide Out Manual Override Offers a vast collection of books, some of which are available for free as PDF downloads, particularly older books in the public domain. Venture Slide Out Manual Override : This website hosts a vast collection of scientific articles, books, and textbooks. While it operates in a legal gray area due to copyright issues, its a popular resource for finding various publications. Internet Archive for Venture Slide Out Manual Override : Has an extensive collection of digital content, including books, articles, videos, and more. It has a massive library of free downloadable books. Free-eBooks Venture Slide Out Manual Override Offers a diverse range of free eBooks across various genres. Venture Slide Out Manual Override Focuses mainly on educational books, textbooks, and business books. It offers free PDF downloads for educational purposes. Venture Slide Out Manual Override Provides a large selection of free eBooks in different genres, which are available for download in various formats, including PDF. Finding specific Venture Slide Out Manual Override, especially related to Venture Slide Out Manual Override, might be challenging as theyre often artistic creations rather than practical blueprints. However, you can explore the following steps to search for or create your own Online Searches: Look for websites, forums, or blogs dedicated to Venture Slide Out Manual Override, Sometimes enthusiasts share their designs or concepts in PDF format. Books and Magazines Some Venture Slide Out Manual Override books or magazines might include. Look for these in online stores or libraries. Remember that while Venture Slide Out Manual Override, sharing copyrighted material without permission is not legal. Always ensure youre either creating your own or obtaining them from legitimate sources that allow sharing and downloading. Library Check if your local library offers eBook lending services. Many libraries have digital catalogs where you can borrow Venture Slide Out Manual Override eBooks for free, including popular titles. Online Retailers: Websites like Amazon, Google Books, or Apple Books often sell eBooks. Sometimes, authors or publishers offer promotions or free periods for certain books. Authors Website Occasionally, authors provide excerpts or short stories for free on their websites. While this might not be the Venture Slide Out Manual Override full book , it can give you a taste of the authors writing style. Subscription Services Platforms like Kindle Unlimited or Scribd offer subscription-based access to a wide range of Venture Slide Out Manual Override eBooks, including some popular titles.

FAQs About Venture Slide Out Manual Override Books

How do I know which eBook platform is the best for me? Finding the best eBook platform depends on your reading preferences and device compatibility. Research different platforms, read user reviews, and explore their features before

making a choice. Are free eBooks of good quality? Yes, many reputable platforms offer high-quality free eBooks, including classics and public domain works. However, make sure to verify the source to ensure the eBook credibility. Can I read eBooks without an eReader? Absolutely! Most eBook platforms offer web-based readers or mobile apps that allow you to read eBooks on your computer, tablet, or smartphone. How do I avoid digital eye strain while reading eBooks? To prevent digital eye strain, take regular breaks, adjust the font size and background color, and ensure proper lighting while reading eBooks. What the advantage of interactive eBooks? Interactive eBooks incorporate multimedia elements, quizzes, and activities, enhancing the reader engagement and providing a more immersive learning experience. Venture Slide Out Manual Override is one of the best book in our library for free trial. We provide copy of Venture Slide Out Manual Override in digital format, so the resources that you find are reliable. There are also many Ebooks of related with Venture Slide Out Manual Override. Where to download Venture Slide Out Manual Override online for free? Are you looking for Venture Slide Out Manual Override PDF? This is definitely going to save you time and cash in something you should think about.

Find Venture Slide Out Manual Override :

[spectra precision ranger manual](#)

space shuttle manual

southern ranch amazing words

[special committee railroad railway classic](#)

souvenir booklet template

[south forsyth band manual](#)

spacecraft water exposure guidelines for selected contaminants

spanish b for ib diploma hodder answer

southern living cookbooks

spectroscopic methods in bioinorganic chemistry acs symposium series

sparse modeling theory algorithms and applications author irina rish published on january 2015

[southwestern taxes solution manual](#)

spartans a new history hardcover

~~spectroscopy and modeling of biomolecular building blocks~~

~~speciation study guide answers key~~

Venture Slide Out Manual Override :

odysseus aus bagdad roman by eric emmanuel schmitt - Aug 03 2022

web apr 23 2015 mein name ist saad saad das bedeutet auf arabisch hoffnung hoffnung und auf englisch traurig traurig saad möchte bagdad hinter sich odysseus aus bagdad roman 304 by eric emmanuel schmitt marlene frucht translator read an excerpt of this book add to wishlist odysseus aus bagdad roman

odysseus aus bagdad roman lovelybooks - May 12 2023

web odysseus aus bagdad odysseus aus bagdad geschrieben von eric emmanuel schmitt ist ein rührender roman über einen jungen mann auf flucht saad flüchtet aus seiner heimatstadt weil dort krieg herrscht wir begleiten ihm auf der flucht nach europa und gehen mit ihm durch die tiefe

odysseus aus bagdad by eric emmanuel schmitt open library - Sep 04 2022

web apr 23 2015 odysseus aus bagdad by eric emmanuel schmitt apr 23 2015 fischer taschenbuch edition paperback

odysseus aus bagdad roman anna s archive - Jan 28 2022

web odysseus aus bagdad roman anna s archive torneo de monstruos secrets of professional pot limit omaha il predatore di anime 谁谁谁谁谁谁 wer hat angst vorm bnd warum wir mehr mut beim kampf gegen die bedrohungen unseres landes brauchen eine streitschrift medical medium thyroid healing indian polity currents

odysseus aus bagdad roman taschenbuch 23 april 2015 amazon de - Aug 15 2023

web apr 23 2015 s 265 mit diesem roman odysseus aus bagdad greift eric emmanuel schmitt ein hochaktuelles und zugleich zeitloses thema auf migration flucht vertreibung umsiedlung vor drei millionen jahren träumte ein mann odysseus davon nach einem krieg nach hause zurückzukehren

odysseus aus bagdad flüchtlingsroman von eric emmanuel - Jul 02 2022

web may 13 2016 odysseus aus bagdad ist ein sehr aktueller flüchtlingsroman über die abenteuerliche reise eines irakers der aus seinem heimatland irak nach england flieht skoutz vorbeischaun

odysseus aus bagdad lesejury - Apr 11 2023

web apr 23 2015 wie trotz ein moderner odysseus den stürmen überlebt schiffbrüche entkommt den drogenhändlern dem gesang der sirenen dem gefängniswächter und einäugigen zyklonen eric emmanuel schmitt erzählt eine höchst aktuelle geschichte als heldenepos unserer zeit gewalttätig komisch tragisch

odysseus aus bagdad von eric emmanuel schmitt ebook thalia - Feb 09 2023

web odysseus aus bagdad von eric emmanuel schmitt ebook thalia ebooks romane erzählungen erzählende literatur lesen sie ihre ebooks immer überall auf einem tofino ereader jetzt zum sparpreis sichern leseprobe beschreibung odysseus aus bagdad roman eric emmanuel schmitt ebook 8 99 inkl gesetzl mwst versandkostenfrei 1

odysseus aus bagdad von eric emmanuel schmitt ebooks - Dec 27 2021

web jetzt online bestellen heimlieferung oder in filiale odysseus aus bagdad roman von eric emmanuel schmitt orell füssli der buchhändler ihres vertrauens

odysseus aus bagdad roman eric emmanuel schmitt - Jun 13 2023

web wie trotz ein moderner odysseus den stürmen überlebt schiffbrüche entkommt den drogenhändlern dem gesang der sirenen dem gefängniswächter und einäugigen zyklonen eric emmanuel schmitt

odysseus aus bagdad roman ebook epub eric emmanuel - Mar 30 2022

web roman odysseus aus bagdad eric emmanuel schmitt marlene frucht fischer e books des milliers de livres avec la livraison chez vous en 1 jour ou en magasin avec 5 de réduction odysseus aus bagdad roman ebook epub eric emmanuel schmitt marlene frucht achat ebook fnac

odysseus aus bagdad eric emmanuel schmitt s fischer - Jul 14 2023

web apr 22 2015 saad möchte bagdad hinter sich lassen das chaos der stadt die armut seiner familie er will nach europa frei sein eine zukunft haben aber wie überwindet man grenzen ohne einen dinar in der tasche wie trotz ein moderner odysseus den stürmen überlebt schiffbrüche entkommt den drogenhändlern dem gesang der sirenen dem

odysseus aus bagdad roman google books - Mar 10 2023

web wie trotz ein moderner odysseus den stürmen überlebt schiffbrüche entkommt den drogenhändlern dem gesang der sirenen dem gefängniswächter und einäugigen zyklonen eric emmanuel schmitt erzählt eine höchst aktuelle geschichte als heldenepos unserer zeit gewalttätig komisch tragisch ein buch das unsere humanität befragt

odysseus aus bagdad roman kindle ausgabe amazon de - Nov 06 2022

web wie trotz ein moderner odysseus den stürmen überlebt schiffbrüche entkommt den drogenhändlern dem gesang der sirenen dem gefängniswächter und einäugigen zyklonen eric emmanuel schmitt erzählt eine höchst aktuelle geschichte als heldenepos unserer zeit gewalttätig komisch tragisch ein buch das unsere humanität befragt

odysseus aus bagdad roman schmitt eric emmanuel - Feb 26 2022

web odysseus aus bagdad roman finden sie alle bücher von schmitt eric emmanuel bei der büchersuchmaschine eurobuch com können sie antiquarische und neubücher vergleichen und sofort zum bestpreis bestellen 9783596192663

odysseus aus bagdad by Éric emmanuel schmitt goodreads - Dec 07 2022

web ulysse from bagdad est devenu un de mes livres préférés ce court roman compare la fuite de saad depuis l irak à l interminable retour de l odyssee plein des personnages sympathiques il montre de différentes philosophies à propos de la fuite de la patrie

odysseus aus bagdad roman anna nin arşivi - Oct 05 2022

web saklı kitaplıkların arama motoru kitaplar gazeteler çizgi romanlar dergiler z library library genesis sci hub açık kaynak kodu ve veriler sayesinde tamamen dirençli duyurun hepiniz hoş geldiniz odysseus aus bagdad roman

[eric emmanuel schmitt odysseus aus bagdad zwischen den](#) - Apr 30 2022

web zwischen den zeilen roman erzählung eric emmanuel schmitt odysseus aus bagdad saad saad wird in bagdad geboren an dem tag an dem saddam hussein sein erstes graues haar entdeckt und seine schlechte laune darüber seine tyrannei noch schlimmer macht

odysseus aus bagdad by eric emmanuel schmitt overdrive - Jun 01 2022

web apr 23 2015 wie trotz ein moderner odysseus den stürmen überlebt schiffbrüche entkommt den drogenhändlern dem gesang der sirenen dem gefängniswächter und einäugigen zyklonen eric emmanuel schmitt erzählt eine höchst aktuelle geschichte als heldenepos unserer zeit gewalttätig komisch tragisch

[odysseus aus bagdad roman google play](#) - Jan 08 2023

web odysseus aus bagdad roman ebook written by eric emmanuel schmitt read this book using google play books app on your pc android ios devices download for offline reading highlight bookmark or take notes while you read odysseus aus bagdad roman

[zoé y el tesoro del zar la banda de zoé 15 amazon es](#) - Jul 28 2023

web zoé y el tesoro del zar la banda de zoé 15 garcía siñeriz ana labanda blanco jordi amazon es libros

la banda de zoé 15 zoé y el tesoro del zar 9788408178729 - Jul 16 2022

web 9788408178729 la banda de zoé 15 zoé y el tesoro del zar 9788408178729 he leído y acepto la política de privacidad de la central aceptar ca es alta newsletter iniciar sesión registrarse quién eres

[zoÉ y el tesoro del zar la banda de zoÉ 15](#) - May 14 2022

web zoÉ y el tesoro del zar la banda de zoÉ 15 ana garcia siñeriz garcía siñeriz ana 14 38 zoé y sus amigos viajan a rusia en busca del origen de anna

zoé y el tesoro del zar la banda de zoé 15 iberlibro com - Dec 21 2022

web zoé y el tesoro del zar la banda de zoé 15 de garcía siñeriz ana labanda blanco jordi en iberlibro com isbn 10

8408178725 isbn 13 9788408178729 destino infantil juvenil 2017 tapa dura

zoÉ y el tesoro del zar la banda de zoÉ 15 garcía - Sep 18 2022

web zoÉ y el tesoro del zar la banda de zoÉ 15 garcía siñeriz ana labanda blanco jordi 14 96 zoé y sus amigos viajan a rusia en busca del origen de anna una joven refugiada que pasa el verano en casa de liseta anna no conserva más que dos objetos que pueden descubrir su pasado y qué pasado

la banda de zoe 15 zoe y el tesoro del zar - Mar 24 2023

web sinopsis de la banda de zoe 15 zoe y el tesoro del zar resuelve con la banda un misterio que lleva más de un siglo sin resolverse zoé y sus amigos viajan a rusia en busca del origen de anna una joven refugiada que pasa el verano en casa de liseta anna no conserva más que dos objetos que pueden descubrir su pasado y qué

la banda de zoé 15 zoé y el tesoro del zar librería agapea - Mar 12 2022

web nov 28 2017 comprar el libro la banda de zoé 15 zoé y el tesoro del zar de ana garcía siñeriz editorial planeta s a 9788408178729 con envío gratis desde 18 en nuestra librería online agapea com ver opiniones resumen sinopsis del libro

zoe y el tesoro del zar garcia sineriz ana 9788408178729 - Jan 22 2023

web zoe and the band travel to russia to try and find out something about anna s past she only has two objects that could be clues when they get there they meet a hacker named dimitri

zoé y el tesoro del zar la banda de zoé 15 librotea - Apr 25 2023

web zoé y sus amigos viajan a rusia en busca del origen de anna una joven refugiada que pasa el verano en casa de liseta anna no conserva más que dos objetos que pueden descubrir su pasado y qué pasado al llegar a rusia

la banda de zoé 15 zoé y el tesoro del zar 5 de descuento - Feb 23 2023

web zoé y el tesoro del zar libro o ebook de y editorial destino infantil juvenil compra ahora en fnac con 5 de descuento la banda de zoé 15 zoé y el tesoro del zar sé el primero en dar tu opinión empieza a leer formato libro libro 14 20

la banda de zoe 15 zoe y el tesoro del zar - Aug 29 2023

web resuelve con la banda un misterio que lleva más de un siglo sin resolverse zoé y sus amigos viajan a rusia en busca del origen de anna una joven refugiada que pasa el verano en casa de liseta anna no conserva más que dos objetos que pueden descubrir su pasado y qué pasado

zoe y el tesoro del zar la banda de zoe 15 - Jan 10 2022

web zoe y el tesoro del zar la banda de zoe 15 garcia siñeriz ana labanda blanco jordi 14 95 zoé y sus amigos viajan a rusia en busca del origen de anna

colección completa de los libros de la banda de zoé fnac - Apr 13 2022

web apr 27 2017 en fnac puedes encontrar la colección y pack completos de los libros de la banda de zoé envío gratis desde 19

zoÉ y el tesoro del zar la banda de zoÉ 15 - Jun 15 2022

web al llegar a rusia conocen a dimitri microchoft un hacker descendiente de un famoso revolucionario un lío que solo zoé y sus amigos conseguirán descifrar zoé y sus amigos viajan a rusia en busca del origen de anna una joven refugiada que pasa el verano en casa de liseta anna no conserva más que dos objetos que pueden descubrir su

zoe y el tesoro del zar la banda de zoÉ 15 - Feb 11 2022

web zoe y el tesoro del zar la banda de zoÉ 15 ana garcia siÑeriz 14 38 zoé y sus amigos viajan a rusia en busca del origen de anna una joven refugiada que

zoé y el tesoro del zar la banda de zoé 15 spanish edition - Jun 27 2023

web nov 28 2017 zoé y sus amigos viajan a rusia en busca del origen de anna una joven refugiada que pasa el verano en casa de liseta anna no conserva más que dos objetos que pueden descubrir su pasado y qué pasado

la banda de zoÉ 15 zoÉ y el tesoro del zar de ana libros lexis - Aug 17 2022

web acerca de la banda de zoÉ 15 zoÉ y el tesoro del zar liseta una las integrantes de la pandilla que protagoniza la serie titulada la banda de zoé ha acogido en su casa a anna una chica de su edad llegada de un país de europa del este cuya casa había sido destruida por una bomba durante una guerra

zoé y el tesoro del zar planetadelibros - May 26 2023

web motivos para leer zoé y el tesoro del zar al final de cada capítulo encontramos un anexo con varias secciones de extras tramas trepidantes y grandes dosis de humor y glamour sigue a la banda a través del blog de la banda de zoé escrito por la autora labandadezoe es e instagram labandadezoe

zoÉ y el tesoro del zar la banda de zoÉ 15 - Nov 20 2022

web zoÉ y el tesoro del zar la banda de zoÉ 15 garcía siÑeriz ana 14 96 resuelve con la banda un misterio que lleva más de un siglo sin resolverse

zoÉ y el tesoro del zar la banda de zoÉ 15 - Oct 19 2022

web zoÉ y el tesoro del zar la banda de zoÉ 15 garcía siÑeriz ana labanda blanco jord 14 96 zoé y sus amigos viajan a rusia en busca del origen de anna

leyes generales del ordenamiento financiero y tri askstage - Feb 18 2022

web evaluation leyes generales del ordenamiento financiero y tri what you taking into consideration to read leyes generales del ordenamiento financiero y tri 2019 07 30 layla susan derecho financiero y tributario parte general lecciones de catedra 10a edicion tecnos editorial s a la quinta edición

pdf leyes generales del ordenamiento financiero y tri - Apr 22 2022

web leyes generales del ordenamiento financiero y tri derecho del sistema financiero y tecnología sep 21 2021 esta obra recopila las más importantes novedades y cambios jurídicos que como consecuencia del desarrollo tecnológico propio de la sociedad de la información las nuevas tecnologías han determinado en el derecho del sistema

leyes generales del ordenamiento financiero y tri pdf copy - Aug 07 2023

web leyes generales del ordenamiento financiero y tri pdf introduction leyes generales del ordenamiento financiero y tri pdf copy diario de sesiones de la cámara de senadores de la república oriental del uruguay uruguay asamblea general cámara de

senadores 1995 boletín oficial del estado spain 1974 la actividad financiera del
reglamento n 3 de la ley orgánica de la administración financiera del - Sep 27 2022

web reglamento n 3 de la ley orgánica de la administración financiera del sector público sobre el sistema de tesorería gaceta
oficial n 37 419 de fecha 09 de abril de 2002 decreto 1 722 22 de marzo de 2002 hugo Chávez Frías presidente de la república
en ejercicio de la atribución que le confiere el numeral 10 del artículo 236 de la
ley organica de instituciones del sistema financiero - May 24 2022

web ley las asociaciones mutualistas de ahorro y crédito para la vivienda no podrán efectuar las siguientes operaciones a las
mencionadas en las letras j m t y v del artículo 51 de esta ley y b las cooperativas de ahorro y crédito que realizan
intermediación con el público quedan

leyes generales del ordenamiento financiero y tri copy - Nov 29 2022

web leyes generales del ordenamiento financiero y tri leyes generales del derecho financiero y tributario ley de protección y
defensa al usuario de servicios financieros reglamento general de recaudación derecho financiero y tributario español
derecho financiero y tributario diario oficial coloquios sobre la actividad tributaria y su

leyes generales del ordenamiento financiero y tri pdf - Apr 03 2023

web leyes generales del ordenamiento financiero y tri colección de leyes decretos acuerdos y resoluciones diario de sesiones
analogía e interpretación en el derecho tributario medidas de prevención y lucha contra el fraude fiscal derecho financiero y
tributario español diario oficial revista espa nola de derecho financiero

pdf leyes generales del ordenamiento financiero y tri - Sep 08 2023

web leyes generales del ordenamiento financiero y tri análisis del hecho generador del iva en el ordenamiento jurídico
colombiano dec 08 2020 análisis del hecho generador del iva en el ordenamiento jurídico colombiano está encaminado a
desarrollar un análisis crítico de la estructura normativa

leyes generales del ordenamiento financiero y tri 2023 - Jun 05 2023

web gastos lección 22 la ejecución de las leyes de presupuestos generales del estado modificaciones de los créditos y cuentas
anuales lección 23 el control de las leyes de presupuestos generales del estado derecho financiero y tributario feb 10 2022
normas de ordenamiento financiero dec 08 2021 derecho financiero y tributario

leyes generales del ordenamiento financiero y tri copy - Oct 29 2022

web leyes generales del ordenamiento financiero y tri 1 leyes generales del ordenamiento financiero y tri as recognized
adventure as without difficulty as experience practically lesson amusement as with ease as union can be gotten by just
checking out a books leyes generales del ordenamiento

leyes generales del ordenamiento financiero y tri 2022 - May 04 2023

web curso de derecho financiero y tributario el principio de confianza legítima en derecho tributario leyes generales del ordenamiento financiero y tributario español 8a ed derecho financiero y tributario leyes generales del ordenamiento financiero y tri downloaded from yale skysafe io by guest jair cross persiguiendo la sombra de la [leyes generales del ordenamiento financiero y tri](#) - Dec 31 2022

web leyes generales del ordenamiento financiero y tri what you gone to read leyes generales del ordenamiento financiero y tri downloaded from cybersmash io by guest gael bradley derecho financiero y tributario aranzadi civitas la ausencia de trabajos sistematizadores sobre el principio de *leyes generales del ordenamiento financiero y tri download* - Feb 01 2023

web 4 leyes generales del ordenamiento financiero y tri 2019 12 16 promover el sano desarrollo del sistema financiero y propiciar el buen funcionamiento de los sistemas de pagos leyes generales del ordenamiento financiero y tributario español aranzadi civitas en la doctrina científica especializada en el derecho financiero y tributario [referencia del consejo de ministros la moncloa](#) - Mar 02 2023

web 2 days ago real decreto sobre instrumentos financieros admisión a negociación registro de valores negociables e infraestructuras de mercado real decreto por el que se desarrolla la ley 6 2023 de 17 de marzo de los mercados de valores y de los servicios de inversión en relación con los registros oficiales de la comisión nacional del [leyes generales del ordenamiento financiero y tri](#) - Jul 06 2023

web oct 25 2023 leyes generales del ordenamiento financiero y tri leyes generales del ordenamiento financiero y tri 2 downloaded from ead3 archivists org on 2023 07 17 by guest diario oficial uruguay 1956 03 16 la suspensión de los actos de liquidación tributaria y el problema de las garantías 1994 historia económica y de las instituciones

leyes generales del ordenamiento financiero y tri book - Aug 27 2022

web leyes generales del derecho financiero y tributario manuel maría casal bravo 1983 derecho financiero y tributario español parte general lecciones de cátedra 2006 curso de finanzas derecho financiero y tributario héctor b villegas 1975 derecho financiero infracciones y sanciones contencioso fiscal sistema tributario crédito

leyes generales del ordenamiento financiero y tri stage gapinc - Mar 22 2022

web leyes generales del ordenamiento financiero y tributario español 8a ed leyes generales del ordenamiento financiero y tributario español código tributario ley general tributaria y procedimientos

[ley organica de administracion financiera del](#) - Jul 26 2022

web nombre ley organica de administracion financiera del estado materia leyes financieras categoría leyes financieras origen Órgano legislativo estado vigente naturaleza decreto legislativo nº 516 fecha 23 11 1995 d oficial 7 tomo 330 publicación do 11 01 1996 reformas 6 decreto legislativo no 586 de

pdf leyes generales del ordenamiento financiero y tri - Oct 09 2023

web leyes generales del ordenamiento financiero y tri derecho financiero y tributario jul 29 2021 esta edición del manual incorpora las novedades normativas producidas desde el cierre de la anterior con lo cual los lectores se encontrarán con una obra actualizada igualmente se ha llevado a cabo una revisión detallada de su

leyes generales del ordenamiento financiero y tri copy - Jun 24 2022

web oct 6 2023 leyes generales del ordenamiento financiero y tri 2 downloaded from backoffice ceu social on 2021 08 21 by guest unificación así como algunos temas que enfrenta la sección cuarta del consejo de estado que exigen un nivel más complejo de interpretación y aplicación del derecho como son los precios de transferencia