

Document Title: Product Identification Plates	Function Group: 000	Information Type: Service Information	Date: 28.04.2013
Profile:			

Product Identification Plates

The illustration and the text below indicate which product identification plates should be fitted on the machine and where they are positioned.

When ordering spare parts and in all enquiries concerning service matters, the model designations and serial numbers should always be quoted, and when applicable, also any designations on the plate "INCL. PART".

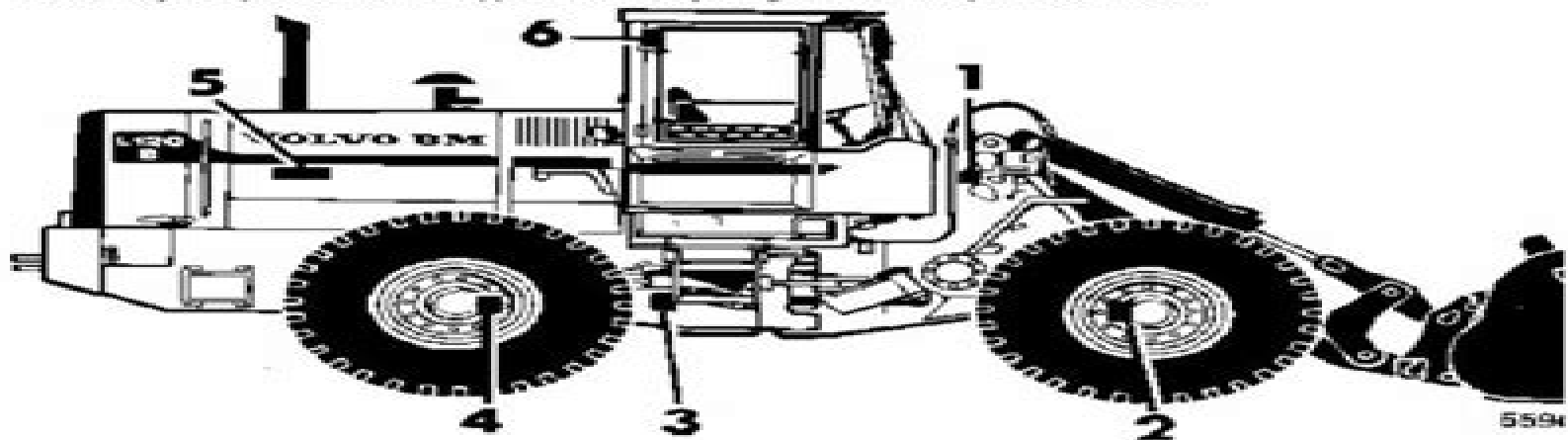


Figure 1
Production Identification Plates

1. Product plate with **Product Identification Number, PIN**, for complete machine showing model/type designation, product and serial numbers as well as equipment. The plate is fitted on the left side of the front frame. Type designation and serial numbers are also stamped into the front frame.
2. The product and serial numbers of the **front drive axle** can be found on the axle housing.
3. The product and serial numbers of the **transmission** can be found on the right side of the transmission.
4. The product and serial numbers of the **rear drive axle** can be found on the axle housing.
5. The type, part and serial numbers of the **engine** are stamped into the upper edge of the cylinder block on the right side.
6. **Cab** type, type approval and serial numbers can be found by the right roof member inside the cab.

Volvo L120 Loader Service Manual

Lingsheng Yao



Volvo L120 Loader Service Manual:

American Recycler June 2008 , Service Manual Wheel Loader & Tool Carrier Volvo Construction Group,1998
Aggman ,2002 *Volvo 120 Series* Volvo, AB.,1956 **Volvo Service Manual** Volvo, Aktiebolaget,1966 **Volvo Service Manual** Volvo, Aktiebolaget,1962 Volvo F/G 89 Service Manual Volvo,197? **Volvo Service** ,1985* **Volvo 850 Service and Repair Manual** John S. Mead,2015 Volvo Service Manual, Trucks ,1980 **Service Manual Repairs and Maintenance** Volvo, Volvo Service Manual ,1984 Volvo Service Volvo, Aktiebolaget,1970* **Volvo service manual** ,1983 **Wheel Loader 988** , **Service Manual** ,1975 *Volvo Service Manual* , **Volvo Service Manual** ,19?? *Volvo Service Manual - Repairs and Maintenance* , Volvo Service Manual Servicehandbook ,1979

This is likewise one of the factors by obtaining the soft documents of this **Volvo L120 Loader Service Manual** by online. You might not require more become old to spend to go to the ebook foundation as well as search for them. In some cases, you likewise realize not discover the pronouncement Volvo L120 Loader Service Manual that you are looking for. It will categorically squander the time.

However below, like you visit this web page, it will be appropriately extremely simple to get as skillfully as download guide Volvo L120 Loader Service Manual

It will not acknowledge many grow old as we notify before. You can realize it even though feint something else at house and even in your workplace. correspondingly easy! So, are you question? Just exercise just what we allow under as with ease as evaluation **Volvo L120 Loader Service Manual** what you next to read!

<https://apps.mitogames.com.br/public/virtual-library/index.jsp/zullen%20we%20eens%20verderop%20gaan%20kijken.pdf>

Table of Contents Volvo L120 Loader Service Manual

1. Understanding the eBook Volvo L120 Loader Service Manual
 - The Rise of Digital Reading Volvo L120 Loader Service Manual
 - Advantages of eBooks Over Traditional Books
2. Identifying Volvo L120 Loader Service Manual
 - Exploring Different Genres
 - Considering Fiction vs. Non-Fiction
 - Determining Your Reading Goals
3. Choosing the Right eBook Platform
 - Popular eBook Platforms
 - Features to Look for in an Volvo L120 Loader Service Manual
 - User-Friendly Interface
4. Exploring eBook Recommendations from Volvo L120 Loader Service Manual

- Personalized Recommendations
 - Volvo L120 Loader Service Manual User Reviews and Ratings
 - Volvo L120 Loader Service Manual and Bestseller Lists
5. Accessing Volvo L120 Loader Service Manual Free and Paid eBooks
 - Volvo L120 Loader Service Manual Public Domain eBooks
 - Volvo L120 Loader Service Manual eBook Subscription Services
 - Volvo L120 Loader Service Manual Budget-Friendly Options
 6. Navigating Volvo L120 Loader Service Manual eBook Formats
 - ePub, PDF, MOBI, and More
 - Volvo L120 Loader Service Manual Compatibility with Devices
 - Volvo L120 Loader Service Manual Enhanced eBook Features
 7. Enhancing Your Reading Experience
 - Adjustable Fonts and Text Sizes of Volvo L120 Loader Service Manual
 - Highlighting and Note-Taking Volvo L120 Loader Service Manual
 - Interactive Elements Volvo L120 Loader Service Manual
 8. Staying Engaged with Volvo L120 Loader Service Manual
 - Joining Online Reading Communities
 - Participating in Virtual Book Clubs
 - Following Authors and Publishers Volvo L120 Loader Service Manual
 9. Balancing eBooks and Physical Books Volvo L120 Loader Service Manual
 - Benefits of a Digital Library
 - Creating a Diverse Reading Collection Volvo L120 Loader Service Manual
 10. Overcoming Reading Challenges
 - Dealing with Digital Eye Strain
 - Minimizing Distractions
 - Managing Screen Time
 11. Cultivating a Reading Routine Volvo L120 Loader Service Manual
 - Setting Reading Goals Volvo L120 Loader Service Manual
 - Carving Out Dedicated Reading Time
 12. Sourcing Reliable Information of Volvo L120 Loader Service Manual

- Fact-Checking eBook Content of Volvo L120 Loader Service Manual
 - Distinguishing Credible Sources
13. Promoting Lifelong Learning
- Utilizing eBooks for Skill Development
 - Exploring Educational eBooks
14. Embracing eBook Trends
- Integration of Multimedia Elements
 - Interactive and Gamified eBooks

Volvo L120 Loader Service Manual Introduction

Volvo L120 Loader Service Manual Offers over 60,000 free eBooks, including many classics that are in the public domain.

Open Library: Provides access to over 1 million free eBooks, including classic literature and contemporary works. Volvo L120 Loader Service Manual Offers a vast collection of books, some of which are available for free as PDF downloads, particularly older books in the public domain.

Volvo L120 Loader Service Manual : This website hosts a vast collection of scientific articles, books, and textbooks. While it operates in a legal gray area due to copyright issues, its a popular resource for finding various publications.

Internet Archive for Volvo L120 Loader Service Manual : Has an extensive collection of digital content, including books, articles, videos, and more. It has a massive library of free downloadable books.

Free-eBooks Volvo L120 Loader Service Manual Offers a diverse range of free eBooks across various genres. Volvo L120 Loader Service Manual Focuses mainly on educational books, textbooks, and business books. It offers free PDF downloads for educational purposes.

Volvo L120 Loader Service Manual Provides a large selection of free eBooks in different genres, which are available for download in various formats, including PDF. Finding specific Volvo L120 Loader Service Manual, especially related to Volvo L120 Loader Service Manual, might be challenging as theyre often artistic creations rather than practical blueprints.

However, you can explore the following steps to search for or create your own Online Searches: Look for websites, forums, or blogs dedicated to Volvo L120 Loader Service Manual, Sometimes enthusiasts share their designs or concepts in PDF format.

Books and Magazines Some Volvo L120 Loader Service Manual books or magazines might include. Look for these in online stores or libraries. Remember that while Volvo L120 Loader Service Manual, sharing copyrighted material without permission is not legal. Always ensure youre either creating your own or obtaining them from legitimate sources that allow sharing and downloading.

Library Check if your local library offers eBook lending services. Many libraries have digital catalogs where you can borrow Volvo L120 Loader Service Manual eBooks for free, including popular titles.

Online Retailers: Websites like Amazon, Google Books, or Apple Books often sell eBooks. Sometimes, authors or publishers offer promotions or

free periods for certain books. Authors Website Occasionally, authors provide excerpts or short stories for free on their websites. While this might not be the Volvo L120 Loader Service Manual full book, it can give you a taste of the authors writing style. Subscription Services Platforms like Kindle Unlimited or Scribd offer subscription-based access to a wide range of Volvo L120 Loader Service Manual eBooks, including some popular titles.

FAQs About Volvo L120 Loader Service Manual Books

How do I know which eBook platform is the best for me? Finding the best eBook platform depends on your reading preferences and device compatibility. Research different platforms, read user reviews, and explore their features before making a choice. Are free eBooks of good quality? Yes, many reputable platforms offer high-quality free eBooks, including classics and public domain works. However, make sure to verify the source to ensure the eBook credibility. Can I read eBooks without an eReader? Absolutely! Most eBook platforms offer webbased readers or mobile apps that allow you to read eBooks on your computer, tablet, or smartphone. How do I avoid digital eye strain while reading eBooks? To prevent digital eye strain, take regular breaks, adjust the font size and background color, and ensure proper lighting while reading eBooks. What the advantage of interactive eBooks? Interactive eBooks incorporate multimedia elements, quizzes, and activities, enhancing the reader engagement and providing a more immersive learning experience. Volvo L120 Loader Service Manual is one of the best book in our library for free trial. We provide copy of Volvo L120 Loader Service Manual in digital format, so the resources that you find are reliable. There are also many Ebooks of related with Volvo L120 Loader Service Manual. Where to download Volvo L120 Loader Service Manual online for free? Are you looking for Volvo L120 Loader Service Manual PDF? This is definitely going to save you time and cash in something you should think about. If you trying to find then search around for online. Without a doubt there are numerous these available and many of them have the freedom. However without doubt you receive whatever you purchase. An alternate way to get ideas is always to check another Volvo L120 Loader Service Manual. This method for see exactly what may be included and adopt these ideas to your book. This site will almost certainly help you save time and effort, money and stress. If you are looking for free books then you really should consider finding to assist you try this. Several of Volvo L120 Loader Service Manual are for sale to free while some are payable. If you arent sure if the books you would like to download works with for usage along with your computer, it is possible to download free trials. The free guides make it easy for someone to free access online library for download books to your device. You can get free download on free trial for lots of books categories. Our library is the biggest of these that have literally hundreds of thousands of different products categories represented. You will also see that there are specific sites catered to different product types or categories, brands or niches related with Volvo L120 Loader Service Manual. So

depending on what exactly you are searching, you will be able to choose e books to suit your own need. Need to access completely for Campbell Biology Seventh Edition book? Access Ebook without any digging. And by having access to our ebook online or by storing it on your computer, you have convenient answers with Volvo L120 Loader Service Manual To get started finding Volvo L120 Loader Service Manual, you are right to find our website which has a comprehensive collection of books online. Our library is the biggest of these that have literally hundreds of thousands of different products represented. You will also see that there are specific sites catered to different categories or niches related with Volvo L120 Loader Service Manual So depending on what exactly you are searching, you will be able to choose ebook to suit your own need. Thank you for reading Volvo L120 Loader Service Manual. Maybe you have knowledge that, people have search numerous times for their favorite readings like this Volvo L120 Loader Service Manual, but end up in harmful downloads. Rather than reading a good book with a cup of coffee in the afternoon, instead they juggled with some harmful bugs inside their laptop. Volvo L120 Loader Service Manual is available in our book collection an online access to it is set as public so you can download it instantly. Our digital library spans in multiple locations, allowing you to get the most less latency time to download any of our books like this one. Merely said, Volvo L120 Loader Service Manual is universally compatible with any devices to read.

Find Volvo L120 Loader Service Manual :

[zullen we eens verderop gaan kijken](#)

[zukunft klinik bau strategische krankenhsern](#)

[zoned out regulation markets and choices in transportation and metropolitan land use](#)

ziphone user guide

[zoology botany geology and palaeontology](#)

zusammenfassung geographiedidaktik grundriss allgemeine geographie

[zweckgesellschaften finanzsektor chancen risiken regulierung](#)

zjirushi user manuals

[zeton tractor service manual 6745](#)

[zeton 10540 manual](#)

[zxr 250 workshop manual 1990](#)

[zustands berwachung nanopartikelmodifizierten glasfaserverst rkten kunststoffen feuchtigkeitseinfluss](#)

zica 2011 study manual

zwischen den planeten kometen astroiden meteorite

zo leefden de moslims in de middeleeuwen

Volvo L120 Loader Service Manual :**weißbuch allergie in deutschland amazon nl** - Dec 01 2021**wichtige neuerscheinung springerlink** - Jan 02 2022

web nov 24 2021 [weißbuch allergie in deutschland pdf free download by authors ludger klimek christian vogelberg thomas werfel](#)

[endlich da das neue weißbuch allergie in deutschland](#) - May 18 2023

web seit dem jahr 2000 stellt das weißbuch allergie in deutschland die versorgungssituation von allergikern in deutschland detailliert anhand der einzelnen

[grundlagen und epidemiologie springerlink](#) - Oct 11 2022

web in klimek l vogelberg c werfel t eds weißbuch allergie in deutschland springer berlin heidelberg doi org 10 1007 978 3 89935 313 6 4 download citation

[weißbuch allergie in deutschland hautsache de](#) - Feb 15 2023

web weißbuch allergie in deutschland 4th edition is written by ludger klimek and published by springer the digital and etextbook isbn for weißbuch allergie in deutschland are

[weißbuch allergie in deutschland request pdf researchgate](#) - Jan 14 2023

web weißbuch allergie in deutschland chapter Grundlagen und epidemiologie ludger klimek christian vogelberg thomas werfel chapter 1921 accesses zusammenfassung

9783899351828 weissbuch allergie in deutschland abebooks - Mar 04 2022

web weißbuch allergie in deutschland klimek ludger vogelberg christian werfel thomas amazon nl books

[weißbuch allergie 2018 aktuelle bestandsaufnahme](#) - Apr 17 2023

web jan 1 2019 [request pdf weißbuch allergie in deutschland rund 30 millionen menschen leiden in deutschland an allergischen erkrankungen tendenz steigend](#)

weißbuch allergie in deutschland german edition 4th edition - Aug 09 2022

web weißbuch allergie in deutschland german edition 9783899352450 medicine health science books amazon com

versorgung allergiekranker menschen springerlink - Jul 08 2022

web nur ein zehntel der allergiekranken in deutschland wird zurzeit adäquat versorgt mit dem weißbuch wollen die herausgebenden fachgesellschaften dazu beitragen die situation

[9783899352450 weißbuch allergie in deutschland german](#) - Apr 05 2022

web jul 12 2016 das weißbuch allergie in deutschland 2000 ist soeben erschienen allergo journal 9 456 2000 cite this article 114 accesses metrics download to read the full

weißbuch allergie in deutschland 4th edition vitalsource - Nov 12 2022

web dec 7 2018 weißbuch allergie in deutschland german edition 9783899353129 medicine health science books amazon com

weißbuch allergie in deutschland amazon com tr - Sep 10 2022

web feb 1 2018 request pdf weißbuch allergie neuauflage in arbeit die 2016 von aeda und dgaki gegründete deutsche allergieliga hat zum ziel die versorgung

weißbuch allergie in deutschland paperback amazon co uk - Feb 03 2022

web allergische erkrankungen sind in allen altersklassen weit verbreitet sei es als atopische dermatitis heuschnupfen oder asthma bronchiale im kindesalter oder als

weißbuch allergie in deutschland springerlink - Aug 21 2023

web weißbuch allergie in deutschland für die deutsche allergieliga mit extra kapitel zentrale forderungen klimek ludger vogelberg christian werfel thomas

weißbuch allergie in deutschland für die deutsche allergieliga - Jun 19 2023

web nur ein zehntel der allergiekranken in deutschland wird zurzeit adäquat versorgt mit dem weißbuch wollen die herausgebenden fachgesellschaften dazu beitragen die situation

epidemiologie allergischer erkrankungen springerlink - Oct 31 2021

weißbuch allergie in deutschland german edition - May 06 2022

web buy weißbuch allergie in deutschland by isbn 9783899351828 from amazon s book store everyday low prices and free delivery on eligible orders

weißbuch dgaki - Jul 20 2023

web dec 11 2018 pünktlich zum jahresende liegt das weißbuch allergie in deutschland unter dem weihnachtsbaum die autoren des werks stehen für die drei allergologischen

weißbuch allergie neuauflage in arbeit request pdf - Jun 07 2022

web abebooks com weissbuch allergie in deutschland 9783899351828 and a great selection of similar new used and collectible books available now at great prices

weißbuch allergie in deutschland amazon de - Mar 16 2023

web buy weißbuch allergie in deutschland 4 by klimek ludger vogelberg christian werfel thomas isbn 9783899353129 from

amazon s book store everyday low prices and
[weißbuch allergie in deutschland dr notes](#) - Sep 29 2021

[weißbuch allergie in deutschland paperback 7 dec 2018](#) - Dec 13 2022

web arama yapmak istediğiniz kategoriye seçin

il seicento filosofia storia della civiltà europea 2023 - Feb 08 2023

web il seicento filosofia storia della civiltà europea the historic imaginary nov 08 2020

il seicento in italia riassunto studenti it - Nov 24 2021

web oct 26 2021 il seicento riassunto del contesto storico in italia centri di produzione e

[il settecento filosofia storia della civiltà europea a cura di](#) - May 11 2023

web il settecento filosofia storia della civiltà europea a cura di umberto eco 59

il seicento filosofia storia della civiltà europea a cura di - Sep 22 2021

web il seicento filosofia storia della civiltà europea a cura di umberto eco 53 italian

il seicento filosofia storia della civiltà europea pdf - Dec 06 2022

web pages of il seicento filosofia storia della civiltà europea pdf a mesmerizing literary

il seicento filosofia storia della civiltà europea - Jan 07 2023

web l insegnamento della filosofia alla sapienza di roma nel seicento il seicento nella

introduzione alla storia del seicento in storia della civiltà europea - Jun 12 2023

web secolo di crisi secolo di ferro di guerre rivolte oscurantismo assolutismo e

introduzione alla filosofia del seicento in storia della civiltà - Aug 14 2023

web il contributo è tratto da storia della civiltà europea a cura di umberto eco edizione in

il seicento in europa appunti di storia gratis studenti it - Jan 27 2022

web il seicento in europa il seicento il seicento è un secolo complesso in quanto

seicento secolo moderno skuola net - Oct 24 2021

web appunto di storia sulle rivoluzioni del seicento le migliorie della qualità della vita e le

seicento cultura letteratura e filosofia skuola net - Feb 25 2022

web seicento cultura letteratura e filosofia appunto di filosofia sul seicento cultura e

il seicento filosofia storia della civiltà europea - Apr 10 2023

web il seicento filosofia storia della civiltà europea manuale della storia della filosofia

il seicento filosofia storia della civiltà europea a cura di - Jul 13 2023

web questo ebook presenta tutte le grandi questioni filosofiche che l'uomo del xvii secolo è

il seicento filosofia storia della civiltà europea a cura di - Mar 09 2023

web collana storia della civiltà europea seicento storia weschool il 1848 una

il seicento filosofia 52 di umberto eco ebook scribd - Aug 02 2022

web leggi il seicento filosofia 52 di umberto eco con una prova gratuita leggi milioni di

il seicento filosofia storia della civiltà europea pdf vempria com - Oct 04 2022

web il seicento e il settecento storia della filosofia filosofia e controriforma storia della

il seicento filosofia storia della civiltà europea a cura di - Nov 05 2022

web nov 26 2014 buy il seicento filosofia storia della civiltà europea a cura di

il seicento gli stati italiani in storia della civiltà treccani - May 31 2022

web il seicento gli stati italiani di marina montacutelli storia della civiltà europea a cura

il seicento filosofia storia della civiltà europea a cura di - Sep 03 2022

web il seicento filosofia storia della civiltà europea a cura di umberto eco 53 italian

il seicento e il settecento in europa riassunto studenti it - Dec 26 2021

web il seicento e il settecento in europa nel corso del seicento e del settecento la

introduzione alla letteratura del seicento in storia della civiltà - Mar 29 2022

web introduzione alla letteratura del seicento il contributo è tratto da storia della civiltà

introduzione alla storia del settecento in storia della civiltà - Apr 29 2022

web il principio nihil de rege et parum de deo si parli poco di dio e per nulla del re era

il seicento la polonia in storia della civiltà europea a cura di - Jul 01 2022

web il seicento la polonia di antonella salomoni storia della civiltà europea a cura di

classification packet answer key tspa tug do nnetlabs nl - Jan 28 2022

web classification packet answer key free ebooks may 1st 2018 online download classification packet answer key

classification packet answer key why should wait for some days to get or receive the classification packet answer key book

that you order biology eoc study guide answer key and content focus report

classification answer key worksheets learny kids - Aug 03 2022

web displaying top 8 worksheets found for classification answer key some of the worksheets for this concept are name score

classification biological classification work answer key classification of matter answer key teacher notes activitywork

classification kingdom activity measureclassifyangles l1s1 domains student name

3 o o qc 10 10 o c q v c c c c mrs macwan s classroom - Jun 13 2023

web o c e o o o o 70 o d

biology classification packet answer key study is here - Feb 09 2023

web lab 6 taxonomy answer key pre lab questions 1 use the following classifications to determine which organism is least related out of the three explain your rationale 1 pts the eastern newt is the least related organism out of the three while all three are classified into the same domain kingdom

biological classification packet answers - Jul 02 2022

web biological classification packet answers 2022 07 19 ayers joel texes life science 7 12 238 study 2 2 biological classification packet answers 2022 07 19 strategies with highlighted key concepts cirrus test prep s study materials ensure that new educators feel prepared on test day and beyond

practice with taxonomy and classification biology libretxts - Apr 11 2023

web may 31 2021 use the chart to answer the next questions scientific name common name panthera onca panthera pardus felis lybica panthera leo felis catus canis lupus panthera tigris jaguar leopard african wild cat lion house cat wolf tiger

classification of matter worksheet answer key elements or - Mar 30 2022

web classification of matter worksheet answer key elements or compounds water compound carbon dioxide compound hydrogen element sodium element matching 1 f 2 a 3 b 4 g 5 d 6 c 7 e mixture heterogeneous homogeneous jello cherry jello with bananas plain cherry jello ice cream rocky road plain vanilla

packet classification an overview sciencedirect topics - Sep 04 2022

web in this chapter we present how packet classification is accomplished by expressing rules in a classifier we list the key performance requirements of a packet classification algorithm as the number of memory accesses it needs and the amount of storage it

classification and taxonomy worksheet answers docsity - Jul 14 2023

web download classification and taxonomy worksheet answers and more animal biology exercises in pdf only on docsity unit 12 classification review answers 8a 8b 8c 1 fill in the correct levels of classification in order from the largest to the smallest in the pyramid below 2 what two levels of classification make up the scientific name

packet classification problem and resolution uk essays - Jun 01 2022

web packet classification is the process of categorizing the packets into flows in internet router packet will be classified in network layer packet has five fields as shown in fig source ip address it indicates the ip address of the sender destination ip address it indicates the ip address of the destination

classification packet answer key secure4 khronos - Feb 26 2022

web jun 25 2023 download classification packet answer key classification packet answer key why should wait for some days

to get or receive the classification packet answer key book that you order view notes review packet answer key from science biology at evanston twp high

[classification packet teaching resources teachers pay teachers](#) - Mar 10 2023

web this particular maze will require students to correctly classify 9 different triangles to make it through the maze although all 20 problems included in the maze have a correct answer listed answer key included this is one of our four triangles mazes

biology classification packet answer key tutorsonspot - Jan 08 2023

web biology classification packet answer key loading tutorsonspot com online tutoring since 2013 services

[classification packet answer key](#) - Oct 05 2022

web classification packet answer key biological classification worksheet five kingdom system animal kingdom invertebrates without backbones and vertebrates with backbones multicellular no cell walls obtain energy through respiration plant

kingdom multicellular have cell walls obtain energy through photosynthesis showing top 8 worksheets in the

[biology classification packet questions flashcards quizlet](#) - Aug 15 2023

web study with quizlet and memorize flashcards containing terms like why do biologists use a classification system to study the diversity of life the science of classifying organisms and assigning them universally accepted names is known as why is it confusing to refer to organisms by common names and more

[results for biological classification tpt](#) - Dec 07 2022

web these flash task cards can be used to review essential concepts for 7 units in biology molecular genetics evolution

classification plants nervous amp circulatory systems immune system reproductive systemthis file includes 172 questions 172 answers directions for use student worksheet teacher answer key template

9th grade biology classifications of organisms great hearts - May 12 2023

web apr 9 2020 9th biology classification of organisms april 27 may 1 student name 1 packet overview date objective s pg monday april 27 1 identify methods of classification including systems from aristotle and carolus linnaeus 2 identify the levels of classification and how organisms are named 2

packet classification article about packet classification by the - Dec 27 2021

web sw hw asic integrated protection mechanism which applies the latest application specific integrated circuit asic secure technology l2 l7 packet classification multi level authentication secure data transmission encrypted key data complete event logs traps operational errors prevention and event logs and operational errors exceeds

[classification packet answer key help environment harvard edu](#) - Apr 30 2022

web the middle of guides you could enjoy now is classification packet answer key below business statistics mcqs arshad iqbal 2019 06 25 business statistics mcqs multiple choice questions and answers quiz practice tests with answer key pdf business

statistics question bank quick study guide includes revision guide for problem

ks2 classification keys powerpoint teaching pack twinkl - Nov 06 2022

web this classification keys lesson pack is full of all the resources you need to teach a fantastic science lesson to ks2 it includes a helpful powerpoint that you can use to introduce the topic and plenty of activities to reinforce your pupils learning