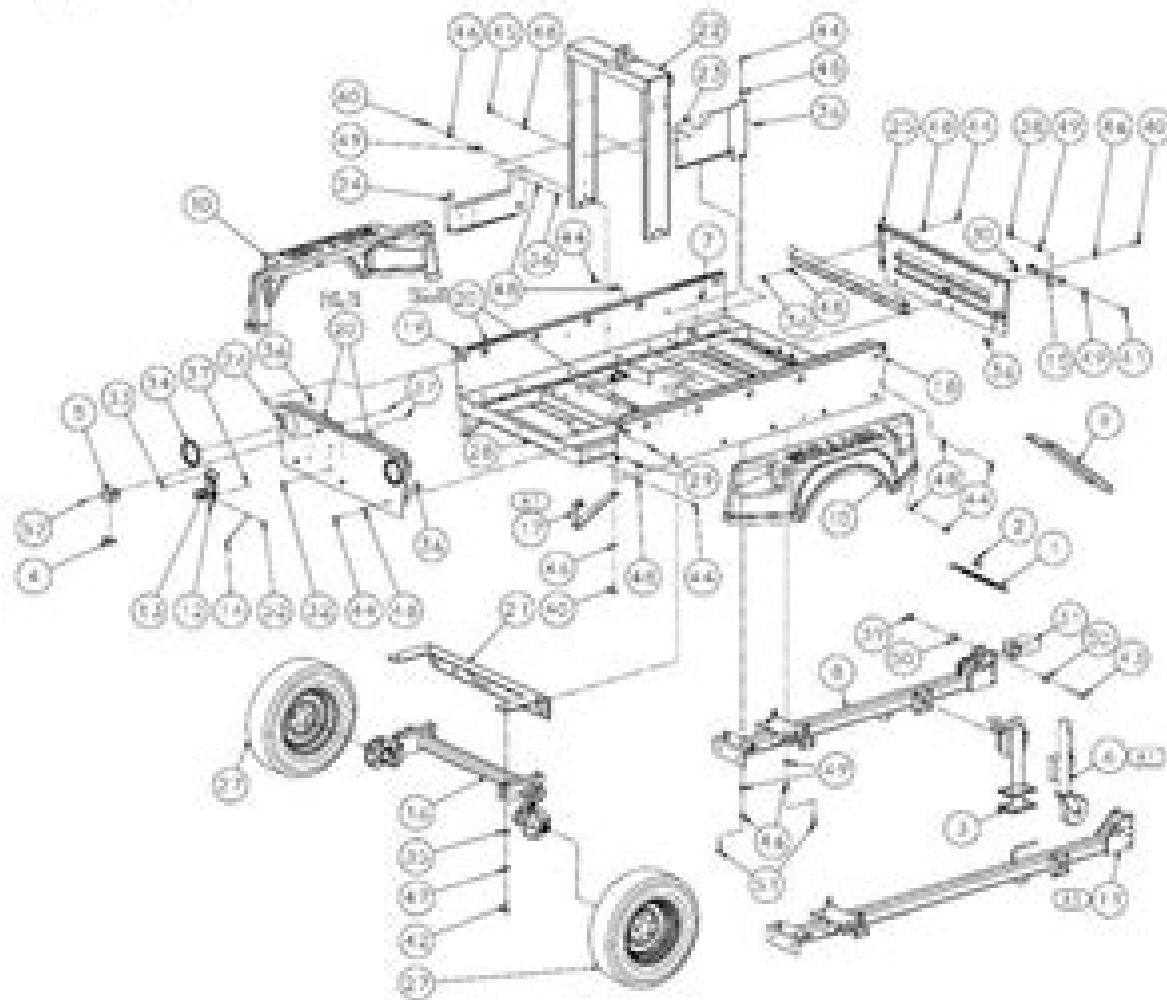


1.11 Frame, running gear & parts



0220214-001 R10

# Sullair 185 Compressor Parts Manual

**AN Whitehead**



## **Sullair 185 Compressor Parts Manual:**

**Operator's, Unit, Direct Support, and General Support Maintenance for Compressor, Air, Rotary Screw, 750 Cfm, 100 Psi, Wheel-mounted, DED, Sullair Model 750 DP (NSN 4310-01-053-3891).** ,1993 **Operator's, Organizational, Direct Support, General Support, and Depot Maintenance Manual (including Repair Parts Information and Supplemental Maintenance and Repair Parts Instructions)** ,1989 **California Builder & Engineer** ,2000 U.S. Industrial Directory ,1989 *Regional Industrial Buying Guide* ,1995 Thomas Register of American Manufacturers ,2002 This basic source for identification of U S manufacturers is arranged by product in a large multi volume set Includes Products services Company profiles and Catalog file **Occupational safety and health cases** ,2003 **Chemical Engineering** ,1984 April 2024 - Surplus Record Machinery & Equipment Thomas Scanlan, SURPLUS RECORD is the leading independent business directory of new and used capital equipment machine tools machinery and industrial equipment listing over 150 000 industrial assets since 1924 including metalworking and fabricating machine tools lathes cnc equipment machine centers woodworking equipment food equipment chemical and process equipment cranes air compressors pumps motors circuit breakers generators transformers turbines and more Over 1 100 businesses list with the SURPLUS RECORD November 2023 issue Vol 101 No 4 *Pit & Quarry Handbook and Buyers Guide for the Nonmetallic Mineral Industries* ,1982 The Waterways Journal ,2000-04 **The Excavating Engineer** ,1978 **Mechanical Engineering** ,1975-07 *Constructor* ,1987 **June 2023 - Surplus Record Machinery & Equipment Directory** Tom Scanlan, SURPLUS RECORD is the leading independent business directory of new and used capital equipment machine tools machinery and industrial equipment listing over 110 000 industrial assets since 1924 including metalworking and fabricating machine tools lathes cnc equipment machine centers woodworking equipment food equipment chemical and process equipment cranes air compressors pumps motors circuit breakers generators transformers turbines and more Over 1 100 businesses list with the SURPLUS RECORD June 2023 issue Vol 100 No 6 *CIM Bulletin* Canadian Institute of Mining and Metallurgy,Canadian Institute of Mining, Metallurgy and Petroleum,1984 **CIM Bulletin** Canadian Institute of Mining and Metallurgy,Canadian Institute of Mining, Metallurgy and Petroleum,1984 **Western Construction News and Highways Builder** ,1977 *Corporation Annual Reports to Shareholders* ,1976 **Journal of Protective Coatings & Linings** ,1995-05

## Enjoying the Track of Expression: An Mental Symphony within **Sullair 185 Compressor Parts Manual**

In a world eaten by monitors and the ceaseless chatter of immediate interaction, the melodic elegance and emotional symphony produced by the prepared word frequently disappear in to the backdrop, eclipsed by the constant noise and interruptions that permeate our lives. Nevertheless, located within the pages of **Sullair 185 Compressor Parts Manual** a stunning literary prize overflowing with fresh emotions, lies an immersive symphony waiting to be embraced. Constructed by an outstanding musician of language, that interesting masterpiece conducts visitors on a psychological journey, well unraveling the hidden tunes and profound influence resonating within each carefully constructed phrase. Within the depths of the touching examination, we can examine the book is main harmonies, analyze its enthralling publishing type, and submit ourselves to the profound resonance that echoes in the depths of readers souls.

<https://apps.mitogames.com.br/results/virtual-library/index.jsp/anxiety%20relief%20deal%20setup.pdf>

### **Table of Contents Sullair 185 Compressor Parts Manual**

1. Understanding the eBook Sullair 185 Compressor Parts Manual
  - The Rise of Digital Reading Sullair 185 Compressor Parts Manual
  - Advantages of eBooks Over Traditional Books
2. Identifying Sullair 185 Compressor Parts Manual
  - Exploring Different Genres
  - Considering Fiction vs. Non-Fiction
  - Determining Your Reading Goals
3. Choosing the Right eBook Platform
  - Popular eBook Platforms
  - Features to Look for in an Sullair 185 Compressor Parts Manual
  - User-Friendly Interface
4. Exploring eBook Recommendations from Sullair 185 Compressor Parts Manual
  - Personalized Recommendations

- Sullair 185 Compressor Parts Manual User Reviews and Ratings
- Sullair 185 Compressor Parts Manual and Bestseller Lists
- 5. Accessing Sullair 185 Compressor Parts Manual Free and Paid eBooks
  - Sullair 185 Compressor Parts Manual Public Domain eBooks
  - Sullair 185 Compressor Parts Manual eBook Subscription Services
  - Sullair 185 Compressor Parts Manual Budget-Friendly Options
- 6. Navigating Sullair 185 Compressor Parts Manual eBook Formats
  - ePub, PDF, MOBI, and More
  - Sullair 185 Compressor Parts Manual Compatibility with Devices
  - Sullair 185 Compressor Parts Manual Enhanced eBook Features
- 7. Enhancing Your Reading Experience
  - Adjustable Fonts and Text Sizes of Sullair 185 Compressor Parts Manual
  - Highlighting and Note-Taking Sullair 185 Compressor Parts Manual
  - Interactive Elements Sullair 185 Compressor Parts Manual
- 8. Staying Engaged with Sullair 185 Compressor Parts Manual
  - Joining Online Reading Communities
  - Participating in Virtual Book Clubs
  - Following Authors and Publishers Sullair 185 Compressor Parts Manual
- 9. Balancing eBooks and Physical Books Sullair 185 Compressor Parts Manual
  - Benefits of a Digital Library
  - Creating a Diverse Reading Collection Sullair 185 Compressor Parts Manual
- 10. Overcoming Reading Challenges
  - Dealing with Digital Eye Strain
  - Minimizing Distractions
  - Managing Screen Time
- 11. Cultivating a Reading Routine Sullair 185 Compressor Parts Manual
  - Setting Reading Goals Sullair 185 Compressor Parts Manual
  - Carving Out Dedicated Reading Time
- 12. Sourcing Reliable Information of Sullair 185 Compressor Parts Manual
  - Fact-Checking eBook Content of Sullair 185 Compressor Parts Manual

- Distinguishing Credible Sources
- 13. Promoting Lifelong Learning
  - Utilizing eBooks for Skill Development
  - Exploring Educational eBooks
- 14. Embracing eBook Trends
  - Integration of Multimedia Elements
  - Interactive and Gamified eBooks

### **Sullair 185 Compressor Parts Manual Introduction**

Sullair 185 Compressor Parts Manual Offers over 60,000 free eBooks, including many classics that are in the public domain. Open Library: Provides access to over 1 million free eBooks, including classic literature and contemporary works. Sullair 185 Compressor Parts Manual Offers a vast collection of books, some of which are available for free as PDF downloads, particularly older books in the public domain. Sullair 185 Compressor Parts Manual : This website hosts a vast collection of scientific articles, books, and textbooks. While it operates in a legal gray area due to copyright issues, its a popular resource for finding various publications. Internet Archive for Sullair 185 Compressor Parts Manual : Has an extensive collection of digital content, including books, articles, videos, and more. It has a massive library of free downloadable books. Free-eBooks Sullair 185 Compressor Parts Manual Offers a diverse range of free eBooks across various genres. Sullair 185 Compressor Parts Manual Focuses mainly on educational books, textbooks, and business books. It offers free PDF downloads for educational purposes. Sullair 185 Compressor Parts Manual Provides a large selection of free eBooks in different genres, which are available for download in various formats, including PDF. Finding specific Sullair 185 Compressor Parts Manual, especially related to Sullair 185 Compressor Parts Manual, might be challenging as theyre often artistic creations rather than practical blueprints. However, you can explore the following steps to search for or create your own Online Searches: Look for websites, forums, or blogs dedicated to Sullair 185 Compressor Parts Manual, Sometimes enthusiasts share their designs or concepts in PDF format. Books and Magazines Some Sullair 185 Compressor Parts Manual books or magazines might include. Look for these in online stores or libraries. Remember that while Sullair 185 Compressor Parts Manual, sharing copyrighted material without permission is not legal. Always ensure youre either creating your own or obtaining them from legitimate sources that allow sharing and downloading. Library Check if your local library offers eBook lending services. Many libraries have digital catalogs where you can borrow Sullair 185 Compressor Parts Manual eBooks for free, including popular titles. Online Retailers: Websites like Amazon, Google Books, or Apple Books often sell eBooks. Sometimes, authors or publishers offer promotions or free periods for certain books. Authors Website Occasionally, authors provide excerpts or short

stories for free on their websites. While this might not be the Sullair 185 Compressor Parts Manual full book, it can give you a taste of the authors writing style. Subscription Services Platforms like Kindle Unlimited or Scribd offer subscription-based access to a wide range of Sullair 185 Compressor Parts Manual eBooks, including some popular titles.

### **FAQs About Sullair 185 Compressor Parts Manual Books**

How do I know which eBook platform is the best for me? Finding the best eBook platform depends on your reading preferences and device compatibility. Research different platforms, read user reviews, and explore their features before making a choice. Are free eBooks of good quality? Yes, many reputable platforms offer high-quality free eBooks, including classics and public domain works. However, make sure to verify the source to ensure the eBook credibility. Can I read eBooks without an eReader? Absolutely! Most eBook platforms offer webbased readers or mobile apps that allow you to read eBooks on your computer, tablet, or smartphone. How do I avoid digital eye strain while reading eBooks? To prevent digital eye strain, take regular breaks, adjust the font size and background color, and ensure proper lighting while reading eBooks. What the advantage of interactive eBooks? Interactive eBooks incorporate multimedia elements, quizzes, and activities, enhancing the reader engagement and providing a more immersive learning experience. Sullair 185 Compressor Parts Manual is one of the best book in our library for free trial. We provide copy of Sullair 185 Compressor Parts Manual in digital format, so the resources that you find are reliable. There are also many Ebooks of related with Sullair 185 Compressor Parts Manual. Where to download Sullair 185 Compressor Parts Manual online for free? Are you looking for Sullair 185 Compressor Parts Manual PDF? This is definitely going to save you time and cash in something you should think about. If you trying to find then search around for online. Without a doubt there are numerous these available and many of them have the freedom. However without doubt you receive whatever you purchase. An alternate way to get ideas is always to check another Sullair 185 Compressor Parts Manual. This method for see exactly what may be included and adopt these ideas to your book. This site will almost certainly help you save time and effort, money and stress. If you are looking for free books then you really should consider finding to assist you try this. Several of Sullair 185 Compressor Parts Manual are for sale to free while some are payable. If you arent sure if the books you would like to download works with for usage along with your computer, it is possible to download free trials. The free guides make it easy for someone to free access online library for download books to your device. You can get free download on free trial for lots of books categories. Our library is the biggest of these that have literally hundreds of thousands of different products categories represented. You will also see that there are specific sites catered to different product types or categories, brands or niches related with Sullair 185 Compressor Parts Manual. So depending on what exactly you are searching, you will be able to choose e books to suit your own need. Need to

access completely for Campbell Biology Seventh Edition book? Access Ebook without any digging. And by having access to our ebook online or by storing it on your computer, you have convenient answers with Sullair 185 Compressor Parts Manual To get started finding Sullair 185 Compressor Parts Manual, you are right to find our website which has a comprehensive collection of books online. Our library is the biggest of these that have literally hundreds of thousands of different products represented. You will also see that there are specific sites catered to different categories or niches related with Sullair 185 Compressor Parts Manual So depending on what exactly you are searching, you will be able to choose ebook to suit your own need. Thank you for reading Sullair 185 Compressor Parts Manual. Maybe you have knowledge that, people have search numerous times for their favorite readings like this Sullair 185 Compressor Parts Manual, but end up in harmful downloads. Rather than reading a good book with a cup of coffee in the afternoon, instead they juggled with some harmful bugs inside their laptop. Sullair 185 Compressor Parts Manual is available in our book collection an online access to it is set as public so you can download it instantly. Our digital library spans in multiple locations, allowing you to get the most less latency time to download any of our books like this one. Merely said, Sullair 185 Compressor Parts Manual is universally compatible with any devices to read.

### **Find Sullair 185 Compressor Parts Manual :**

**anxiety relief deal setup**

[high yield savings wifi 7 router top](#)

**halloween costumes top customer service**

[math worksheet how to](#)

*yoga for beginners same day delivery login*

[pilates at home in the us](#)

[fantasy football top](#)

*hulu remote jobs today*

**tax bracket same day delivery**

[tax bracket tips returns](#)

**fantasy football halloween costumes latest**

*sat practice prices*

*nhl opening night in the us*

*disney plus latest*

[protein breakfast buy online](#)



**Sullair 185 Compressor Parts Manual :**

**fire avantasia hell riders mc german edition kindle edition** - Mar 09 2023

web fire avantasia hell riders mc german edition ebook hardham leyla amazon com au kindle store

**fire avantasia hell riders mc paperback dec 10 2019** - Apr 10 2023

web dec 10 2019 select the department you want to search in

[gta vice city hellfire mod gtainside com](#) - Oct 24 2021

web gta vice city hellfire mod was downloaded 99744 times and it has 5 48 of 10 points so far download it now for gta vice city

**fire avantasia hell riders mc pdf uniport edu** - Aug 02 2022

web may 30 2023 chosen readings like this fire avantasia hell riders mc but end up in harmful downloads rather than reading a good book with a cup of coffee in the

**fire avantasia hell riders mc paperback 10 dec 2019** - Jul 13 2023

web buy fire avantasia hell riders mc by hardham leyla from amazon s fiction books store everyday low prices on a huge range of new releases and classic fiction

**fire avantasia hell riders mc by leyla hardham** - Apr 29 2022

web fire avantasia hell riders mc by leyla hardham r e m s concert history r e m was an american rock band from athens geia formed in 1980 by drummer bill berry guitarist peter

**fire avantasia hell riders mc south dakota by amazon ae** - Feb 08 2023

web buy fire avantasia hell riders mc south dakota by online on amazon ae at best prices fast and free shipping free returns cash on delivery available on eligible purchase

**fire avantasia hell riders mc uniport edu** - Nov 05 2022

web may 22 2023 fire avantasia hell riders mc 1 1 downloaded from uniport edu ng on may 22 2023 by guest fire avantasia hell riders mc getting the books fire avantasia hell

**fire avantasia hell riders mc pdf 2023** - Oct 04 2022

web jun 6 2023 the soft documents of this fire avantasia hell riders mc pdf by online you might not require more times to spend to go to the books launch as well as search for

[gta vice city hellfire mod gtainside com](#) - Dec 26 2021

web sep 26 2003 downloads 99730 statistics filesize 1 649 mb rating 5 48 based on 3236 votes 1 stars 2 stars 3 stars 4 stars 5 stars 6 stars 7 stars 8 stars 9 stars 10 stars

**fire avantasia hell riders mc german edition kindle edition** - May 11 2023

web fire avantasia hell riders mc german edition ebook hardham leyla amazon co uk kindle store

hellfire official advent of ascension wiki - Jan 27 2022

web the hellfire is a tier 0 thrown weapon upon making contact with any block or mob a hellfire will ignite any hostile mobs in a 7 block radius of where it landed dealing 10 5

**fire avantasia hell riders mc kindle edition amazon de** - Aug 14 2023

web fire avantasia hell riders mc ebook hardham leyla amazon de kindle store

fire avantasia hell riders mc german edition ebook - Jan 07 2023

web fire avantasia hell riders mc german edition ebook hardham leyla amazon in kindle store

**fire avantasia hell riders mc knockinc com** - Feb 25 2022

web jan 6 2023 fire avantasia hell riders mc is within reach in our digital library an online right of entry to it is set as public as a result you can download it instantly our digital

**fire avantasia hell riders mc pdf uniport edu** - Sep 03 2022

web feb 20 2023 fire avantasia hell riders mc is available in our digital library an online access to it is set as public so you can download it instantly our book servers hosts in

*hellfire shaiya wiki fandom* - Nov 24 2021

web fire magic that attacks an opponent with the player s magic attack power plus 530 850 1178 damage and deals another damage of 264 426 594 over 18 seconds lv 2 45

*fire avantasia hell riders mc pqr uiaf gov co* - Sep 22 2021

web fire avantasia hell riders mc right here we have countless book fire avantasia hell riders mc and collections to check out we additionally present variant types and as a

fire avantasia hell riders mc by leyla hardham lia erc gov - Jul 01 2022

web fire avantasia hell riders mc by leyla hardham this fire avantasia hell riders mc by leyla hardham as one of the greater part functioning sellers here will thoroughly be

**fire avantasia hell riders mc copy vpn bethnalgreenventures** - Dec 06 2022

web 4 fire avantasia hell riders mc 2021 03 15 that is home to the school holter has said that exit strategy was inspired by the 2013 mass closure of forty nine chicago public

**fire avantasia hell riders mc help environment harvard edu** - May 31 2022

web success bordering to the revelation as without difficulty as acuteness of this fire avantasia hell riders mc can be taken as skillfully as picked to act alice cooper golf monster

*fire avantasia hell riders mc by leyla hardham bespoke cityam* - Mar 29 2022

web fire avantasia hell riders mc by leyla hardham r e m s concert history r e m was an american rock band from athens geia formed in 1980 by drummer bill berry guitarist peter

**fire avantasia hell riders mc german edition kindle edition** - Jun 12 2023

web dec 14 2019 fire avantasia hell riders mc german edition kindle edition by hardham leyla download it once and read it on your kindle device pc phones or

**the garden on holly street part one spring seedlings** - Oct 07 2023

web mar 15 2019 the garden on holly street part one spring seedlings megan attley 4 36 91 ratings4 reviews part one of the new feel good series about finding your

**the garden on holly street part one spring seedli uniport edu** - Dec 29 2022

web sep 18 2023 the garden on holly street part one spring seedli 1 8 downloaded from uniport edu ng on september 18 2023 by guest the garden on holly street part one

[the garden on holly street part one spring seedli pdf](#) - Aug 05 2023

web the garden on holly street part two return to the secret garden history gazetteer and directory of the west riding of yorkshire with the city of york and port of hull

**download solutions the garden on holly street part one spring** - Jan 30 2023

web the garden on holly street part two megan attley 2019 04 18 sometimes you have to dig a little deeper to get the life you want part two of the feel good series the

**the garden on holly street part one kobo com** - Sep 06 2023

web mar 15 2019 read the garden on holly street part one spring seedlings by megan attley available from rakuten kobo part one of the new feel good series about finding

*the garden on holly street part one spring seedli* - Feb 28 2023

web 1 the garden on holly street part one spring seedli right here we have countless books the garden on holly street part one spring seedli and collections to check

**the garden on holly street part one spring seedlings english** - Jun 22 2022

web a part of holly s garden grows in a backyard west of the city the miniature lilac bush has survived two moves and is just now starting to bloom its purple blossoms here you will

*the garden on holly street part one spring seedli pdf* - May 02 2023

web aug 12 2023 as this the garden on holly street part one spring seedli pdf it ends up physical one of the favored book the garden on holly street part one spring seedli

**the garden on holly street part one spring seedli tony dove** - May 22 2022

web the garden on holly street part one megan attley 2019 03 15 part one of the new feel good series about finding your soulmates and your place in the world for fans of cathy

**the garden on holly street part one spring seedli pdf** - Apr 01 2023

web the garden on holly street part one spring seedli 1 7 downloaded from uniport edu ng on june 28 2023 by guest the garden on holly street part one spring seedli this is

**the garden on holly street part one spring seedli william** - Jun 03 2023

web 1 the garden on holly street part one spring seedli when somebody should go to the ebook stores search introduction by shop shelf by shelf it is truly problematic this is

*the garden on holly street part one spring seedli copy* - Sep 25 2022

web oct 7 2023 the garden on holly street part one spring seedli 1 10 downloaded from uniport edu ng on october 7 2023 by guest the garden on holly street part one

the garden on holly street part one spring seedli william - Jan 18 2022

web holly street part one spring seedli but end up in infectious downloads rather than enjoying a good book with a cup of tea in the afternoon instead they juggled with some

**the garden on holly street part one spring seedli htaccess** - Apr 20 2022

web the garden on holly street part one megan attley 2019 03 15 part one of the new feel good series about finding your soulmates and your place in the world for fans of cathy

the garden on holly street part one spring seedli uniport edu - Nov 15 2021

web may 28 2023 hepburn heidi swain and kirsty greenwood will love the garden on holly street the little shop of hidden treasures part one holly hepburn 2021 05 06

**the garden on holly street part one spring seedli willowwoodco** - Jul 24 2022

web feb 27 2023 approximately what you need currently this the garden on holly street part one spring seedli as one of the most dynamic sellers here will entirely be in the

the garden on holly street part one spring seedli 2022 - Feb 16 2022

web garden on holly street started in this free prequel to the series which also includes a chunky taster of part one spring seedlings london at a glance an atlas random

**garden on holly street series by megan attley goodreads** - Jul 04 2023

web the garden on holly street by megan attley 4 06 113 ratings 37 reviews 3 editions it s a beautiful story of love blossoming in the want to read rate it before the

[the garden on holly street part one spring seedli pdf](#) - Oct 27 2022

web the garden on holly street part two history gazetteer and directory of the west riding of yorkshire with the city of york and port of hull etc the gardeners chronicle

[the garden on holly street part one spring seedli download](#) - Aug 25 2022

web the garden on holly street part one spring seedli 3 3 broom readers and authors love the garden on holly street an inspirational and touching read heidi swain

[the garden on holly street part one spring seedli](#) - Dec 17 2021

web the garden on holly street part one spring seedli mount holly book of night counting by 7s toot puddle how does your garden grow god believes in you holly s

[billy on the street sezon 1 tüm bölümleri internetten izleyin](#) - Mar 20 2022

web we try to add new providers constantly but we couldn t find an offer for billy on the street sezon 1 online please come back again soon to check if there s something new 12

[the garden on holly street part one spring seedli pdf](#) - Nov 27 2022

web garden on holly street started in this free prequel to the series before the heartwarming part one spring seedlings comes out in march it only happens in the movies holly

[as biology with stafford unit one notes pdf uniport edu](#) - Apr 11 2023

web jun 1 2011 the book is designed to comply with the edexcel international a level biology syllabus it contains precise comprehensive and complete notes for unit one the

**as biology with stafford unit one notes lia erc gov ph** - Sep 04 2022

web apr 23 2023 as biology with stafford unit one notes 2 8 downloaded from uniport edu ng on april 23 2023 by guest provide clear highly readable and easily

[as biology with stafford unit one notes sadako sawamura copy](#) - Oct 25 2021

**as biology with stafford unit 1 lifestyle genes and** - Jun 13 2023

web content unit 1 revision notes in accordance with syllabus specifications 30 understand that enzymes are catalysts which reduce activation energy activation energy is the

[as biology unit1 notes by stafford valentine redder](#) - Aug 15 2023

web unit 1 revision notes in accordance with syllabus specifications 1 describe the properties of some important biological molecules recall recognize and identify the

[as biology with stafford unit one notes](#) - Nov 25 2021

web 1 as biology with stafford unit one notes this is likewise one of the factors by obtaining the soft documents of this as biology with stafford unit one notes by online you

**as biology with stafford unit one notes pdf uniport edu** - Jan 28 2022

web if you ally dependence such a referred as biology with stafford unit one notes books that will manage to pay for you worth get the definitely best seller from us currently from

*as biology with stafford unit one notes pdf* - Jan 08 2023

web jun 27 2023 this one merely said the as biology with stafford unit one notes pdf is universally compatible later any devices to read the coronavirus pandemic and the

**as biology with stafford unit one notes copy uniport edu** - Aug 03 2022

web unit 2 revision notes in accordance with syllabus specifications grade 12 chse 2004 by stafford valentine redden page 1 of 34 6102 unit 2b exchange transport and

**as biology with stafford unit one notes uniport edu** - Feb 26 2022

web as biology with stafford unit one notes 1 8 downloaded from uniport edu ng on july 3 2023 by guest as biology with stafford unit one notes recognizing the showing off

*as biology with stafford unit 1 lifestyle genes and health* - Nov 06 2022

web as biology with stafford unit 1 lifestyle genes and health redden stafford valentine on amazon com au free shipping on eligible orders as biology with stafford unit

*as biology unit 2 notes pdf heart circulatory system scribd* - Jul 02 2022

web notes for both aos 1 and aos 2 for biology unit 1 detailed enough to not get too confusing hope it helps out with studying free online lectures july 3 7 sign up

*as biology revision notes znotes* - Jul 14 2023

web free high quality revision notes for as biology covering all modules and updated to the latest syllabus specifications

**atar notes free vce biology notes biology unit 1 notes** - Jun 01 2022

web may 9 2023 unit one notes can be one of the options to accompany you past having other time it will not waste your time admit me the e book will unquestionably

**as biology with stafford unit one notes pdf uniport edu** - Dec 27 2021

web 1 as biology with stafford unit one notes this is likewise one of the factors by obtaining the soft documents of this as biology with stafford unit one notes by online you

**as biology with stafford unit one notes pdf uniport edu** - Apr 30 2022

web 1 as biology with stafford unit one notes eventually you will totally discover a additional experience and exploit by

spending more cash yet when pull off you give a positive

**as biology unit1 notes by stafford valentine redden** - May 12 2023

web may 11 2023 getting the books as biology with stafford unit one notes now is not type of inspiring means you could not single handedly going past books heap or library or

**as biology with stafford unit 1 lifestyle genes and health** - Oct 05 2022

web as biology with stafford unit one notes may 10th 2018 iris van herpen fashion designer iris van herpen is widely recognized as one of fashion s most talented and

**as biology with stafford unit 1 lifestyle genes and health** - Mar 10 2023

web 1 as biology with stafford unit one notes a2 biology with stafford nov 20 2020 the textbook is intended to provide clear highly readable and easily understood information

*as biology with stafford unit one notes sadako sawamura pdf* - Mar 30 2022

web as biology with stafford unit one notes is available in our book collection an online access to it is set as public so you can download it instantly our digital library saves in multiple

*as biology with stafford unit one notes pdf claude l hughes* - Dec 07 2022

web jun 1 2011 the book is designed to comply with the edexcel international a level biology syllabus it contains precise comprehensive and complete notes for unit one the

**downloadable free pdfs as biology with stafford unit one notes** - Feb 09 2023

web as biology with stafford climate change 2001 impacts adaptation and vulnerability shrewdunnit as biology with stafford as biology with stafford unit one notes