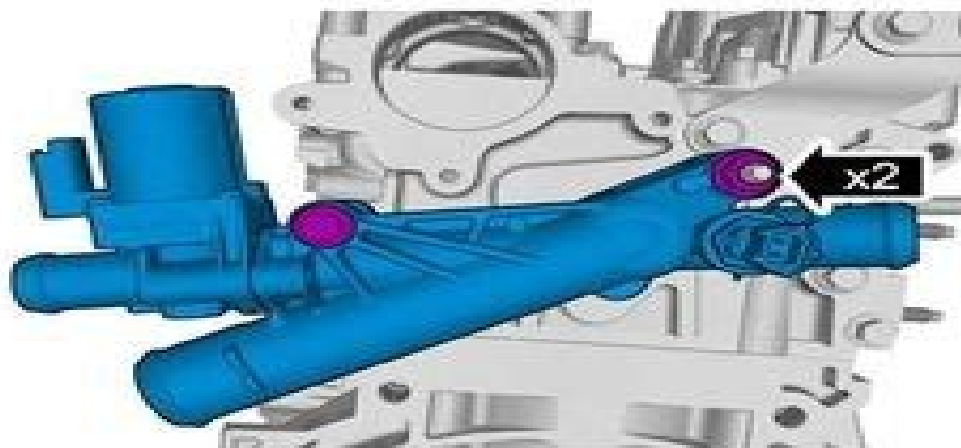


1. Torque: M6, 10 Nm
2. Torque: M10, 50 Nm



Torque: M6, 24 Nm



Torque: M8, 24 Nm

Volvo V40 2012 Manual

Robert Jex



Volvo V40 2012 Manual:

Focus On: 100 Most Popular Compact Cars Wikipedia contributors, **Volvo S40 & V40 Service and Repair Manual** Mark Coombs, Spencer Drayton, 1999 **Lemon-Aid Used Cars and Trucks 2011-2012** Phil Edmonston, 2011-04-25 As Toyota skids into an ocean of problems and uncertainty continues in the U S automotive industry Lemon Aid Used Cars and Trucks 20112012 shows buyers how to pick the cheapest and most reliable vehicles from the past 30 years Lemon Aid guides are unlike any other car and truck books on the market Phil Edmonston Canada s automotive Dr Phil for 40 years pulls no punches Like five books in one Lemon Aid Used Cars and Trucks is an expos of car scams and gas consumption lies a do it yourself service manual an independent guide that covers beaters lemons and collectibles an archive of secret service bulletins granting free repairs and a legal primer that even lawyers cant beat Phil delivers the goods on free fixes for Chrysler Ford and GM engine transmission brake and paint defects lets you know about Corvette and Mustang tops that fly off gives the lowdown on Honda Hyundai and Toyota engines and transmissions and provides the latest information on computer module glitches **Volvo S40 and V50 Petrol and Diesel Service and Repair Manual** Martynn Randall, 2008 S40 Saloon V50 Estate inc special limited editions Does NOT cover Classic T5 or AWD four wheel drive models or facelifted range introduced July 2007 Petrol 1 8 litre 1798cc 2 0 litre 1999cc 2 4 litre 2435cc Does NOT cover 1 6 litre or 2 5 litre petrol engines Turbo Diesel 2 0 litre 1988cc Does NOT cover 1 6 litre or 2 4 litre diesel engines 2016 Volvo V40 Owner Manual Compatible with OEM Owners Manual, Factory Glovebox Book Helming, 2016-02-19 **2017 Volvo V40 Owner Manual Compatible with OEM Owners Manual, Factory Glovebox Book** Helming, 2018-08-05 **2017 Volvo V40 Owner Manual Compatible with OEM Owners Manual, Factory Glovebox Book** Helming, 2017-03-11 **2019 Volvo V40 Owner Manual Compatible with OEM Owners Manual, Factory Glovebox Book** Helming, 2019-02-24 **Volvo S70, C70 & V40 Service and Repair Manual** Robert Jex, 1999 **Volvo S40 and V50 Diesel (07-13) 07 to 62** Chris Randall, 2013-01-01 Part of the Haynes Service and Repair Manual Series this title covers Volvo S40 and V50 diesel cars made between 2007 and 2013 **Volvo S40 and V50 Diesel Owner's Workshop Manual, 07-13** Chris Randall, 2016-10 2012 Volvo S80 Owner Manual Compatible with OEM Owners Manual, Factory Glovebox Book Helming, 2012-08 **Volvo S70, C70 and V40** Robert Jex, 1999 S70 Saloon V70 Estate C70 Coupe inc turbo T5 versions Does NOT cover four wheel drive AWD system Petrol 2 0 litre 1984cc 2 3 litre 2319cc 2 5 litre 2435cc **Volvo Service Manual** Volvo, Aktiebolaget, 1966 Volvo 400 Series Service and Repair Manual A. K. Legg, 1999 Hatchback Saloon Coupe inc Turbo special limited editions Petrol 1 6 litre 1596cc 1 7 litre 1721cc 1 8 litre 1794cc 2 0 litre 1998cc 2012 Volvo XC60 Owner Manual Compatible with OEM Owners Manual, Factory Glovebox Book Helming, 2012-08-14 **Volvo** Volvo, Aktiebolaget, 1971 Volvo Service Manual , **Volvo Service Manual** , 1985 **2002 and Newer Volvo 40/V40 Gt17 Variable Vane Turbocharger Rebuild and Repair Guide** Brian Smothers, 2014-12-18 This shop manual covers the proper

disassembly inspection rework assembly and installation of the turbocharger including the variable vane system found on the VOLVO 40 V40 diesel cars Written by an industry professional this book contains full color photos diagrams torque specs and best practices Repairing your vehicle s turbocharger is easy and cost effective if you know how For a complete list of the turbochargers covered in this guide please see <http://www.turborepair.net> 401

Fuel your quest for knowledge with Learn from is thought-provoking masterpiece, Explore **Volvo V40 2012 Manual** . This educational ebook, conveniently sized in PDF (PDF Size: *), is a gateway to personal growth and intellectual stimulation. Immerse yourself in the enriching content curated to cater to every eager mind. Download now and embark on a learning journey that promises to expand your horizons. .

<https://apps.mitogames.com.br/book/detail/Documents/Weekly%20Ad%20Near%20Me%20Returns.pdf>

Table of Contents Volvo V40 2012 Manual

1. Understanding the eBook Volvo V40 2012 Manual
 - The Rise of Digital Reading Volvo V40 2012 Manual
 - Advantages of eBooks Over Traditional Books
2. Identifying Volvo V40 2012 Manual
 - Exploring Different Genres
 - Considering Fiction vs. Non-Fiction
 - Determining Your Reading Goals
3. Choosing the Right eBook Platform
 - Popular eBook Platforms
 - Features to Look for in an Volvo V40 2012 Manual
 - User-Friendly Interface
4. Exploring eBook Recommendations from Volvo V40 2012 Manual
 - Personalized Recommendations
 - Volvo V40 2012 Manual User Reviews and Ratings
 - Volvo V40 2012 Manual and Bestseller Lists
5. Accessing Volvo V40 2012 Manual Free and Paid eBooks
 - Volvo V40 2012 Manual Public Domain eBooks
 - Volvo V40 2012 Manual eBook Subscription Services
 - Volvo V40 2012 Manual Budget-Friendly Options

6. Navigating Volvo V40 2012 Manual eBook Formats
 - ePub, PDF, MOBI, and More
 - Volvo V40 2012 Manual Compatibility with Devices
 - Volvo V40 2012 Manual Enhanced eBook Features
7. Enhancing Your Reading Experience
 - Adjustable Fonts and Text Sizes of Volvo V40 2012 Manual
 - Highlighting and Note-Taking Volvo V40 2012 Manual
 - Interactive Elements Volvo V40 2012 Manual
8. Staying Engaged with Volvo V40 2012 Manual
 - Joining Online Reading Communities
 - Participating in Virtual Book Clubs
 - Following Authors and Publishers Volvo V40 2012 Manual
9. Balancing eBooks and Physical Books Volvo V40 2012 Manual
 - Benefits of a Digital Library
 - Creating a Diverse Reading Collection Volvo V40 2012 Manual
10. Overcoming Reading Challenges
 - Dealing with Digital Eye Strain
 - Minimizing Distractions
 - Managing Screen Time
11. Cultivating a Reading Routine Volvo V40 2012 Manual
 - Setting Reading Goals Volvo V40 2012 Manual
 - Carving Out Dedicated Reading Time
12. Sourcing Reliable Information of Volvo V40 2012 Manual
 - Fact-Checking eBook Content of Volvo V40 2012 Manual
 - Distinguishing Credible Sources
13. Promoting Lifelong Learning
 - Utilizing eBooks for Skill Development
 - Exploring Educational eBooks
14. Embracing eBook Trends
 - Integration of Multimedia Elements

- Interactive and Gamified eBooks

Volvo V40 2012 Manual Introduction

In today's digital age, the availability of Volvo V40 2012 Manual books and manuals for download has revolutionized the way we access information. Gone are the days of physically flipping through pages and carrying heavy textbooks or manuals. With just a few clicks, we can now access a wealth of knowledge from the comfort of our own homes or on the go. This article will explore the advantages of Volvo V40 2012 Manual books and manuals for download, along with some popular platforms that offer these resources. One of the significant advantages of Volvo V40 2012 Manual books and manuals for download is the cost-saving aspect. Traditional books and manuals can be costly, especially if you need to purchase several of them for educational or professional purposes. By accessing Volvo V40 2012 Manual versions, you eliminate the need to spend money on physical copies. This not only saves you money but also reduces the environmental impact associated with book production and transportation. Furthermore, Volvo V40 2012 Manual books and manuals for download are incredibly convenient. With just a computer or smartphone and an internet connection, you can access a vast library of resources on any subject imaginable. Whether you're a student looking for textbooks, a professional seeking industry-specific manuals, or someone interested in self-improvement, these digital resources provide an efficient and accessible means of acquiring knowledge. Moreover, PDF books and manuals offer a range of benefits compared to other digital formats. PDF files are designed to retain their formatting regardless of the device used to open them. This ensures that the content appears exactly as intended by the author, with no loss of formatting or missing graphics. Additionally, PDF files can be easily annotated, bookmarked, and searched for specific terms, making them highly practical for studying or referencing. When it comes to accessing Volvo V40 2012 Manual books and manuals, several platforms offer an extensive collection of resources. One such platform is Project Gutenberg, a nonprofit organization that provides over 60,000 free eBooks. These books are primarily in the public domain, meaning they can be freely distributed and downloaded. Project Gutenberg offers a wide range of classic literature, making it an excellent resource for literature enthusiasts. Another popular platform for Volvo V40 2012 Manual books and manuals is Open Library. Open Library is an initiative of the Internet Archive, a non-profit organization dedicated to digitizing cultural artifacts and making them accessible to the public. Open Library hosts millions of books, including both public domain works and contemporary titles. It also allows users to borrow digital copies of certain books for a limited period, similar to a library lending system. Additionally, many universities and educational institutions have their own digital libraries that provide free access to PDF books and manuals. These libraries often offer academic texts, research papers, and technical manuals, making them invaluable resources for students and researchers. Some notable examples include MIT OpenCourseWare, which offers free access to course materials from the Massachusetts Institute of Technology, and the

Digital Public Library of America, which provides a vast collection of digitized books and historical documents. In conclusion, Volvo V40 2012 Manual books and manuals for download have transformed the way we access information. They provide a cost-effective and convenient means of acquiring knowledge, offering the ability to access a vast library of resources at our fingertips. With platforms like Project Gutenberg, Open Library, and various digital libraries offered by educational institutions, we have access to an ever-expanding collection of books and manuals. Whether for educational, professional, or personal purposes, these digital resources serve as valuable tools for continuous learning and self-improvement. So why not take advantage of the vast world of Volvo V40 2012 Manual books and manuals for download and embark on your journey of knowledge?

FAQs About Volvo V40 2012 Manual Books

What is a Volvo V40 2012 Manual PDF? A PDF (Portable Document Format) is a file format developed by Adobe that preserves the layout and formatting of a document, regardless of the software, hardware, or operating system used to view or print it. **How do I create a Volvo V40 2012 Manual PDF?** There are several ways to create a PDF: Use software like Adobe Acrobat, Microsoft Word, or Google Docs, which often have built-in PDF creation tools. Print to PDF: Many applications and operating systems have a "Print to PDF" option that allows you to save a document as a PDF file instead of printing it on paper. Online converters: There are various online tools that can convert different file types to PDF. **How do I edit a Volvo V40 2012 Manual PDF?** Editing a PDF can be done with software like Adobe Acrobat, which allows direct editing of text, images, and other elements within the PDF. Some free tools, like PDFescape or Smallpdf, also offer basic editing capabilities. **How do I convert a Volvo V40 2012 Manual PDF to another file format?** There are multiple ways to convert a PDF to another format: Use online converters like Smallpdf, Zamzar, or Adobe Acrobats export feature to convert PDFs to formats like Word, Excel, JPEG, etc. Software like Adobe Acrobat, Microsoft Word, or other PDF editors may have options to export or save PDFs in different formats. **How do I password-protect a Volvo V40 2012 Manual PDF?** Most PDF editing software allows you to add password protection. In Adobe Acrobat, for instance, you can go to "File" -> "Properties" -> "Security" to set a password to restrict access or editing capabilities. Are there any free alternatives to Adobe Acrobat for working with PDFs? Yes, there are many free alternatives for working with PDFs, such as: LibreOffice: Offers PDF editing features. PDFsam: Allows splitting, merging, and editing PDFs. Foxit Reader: Provides basic PDF viewing and editing capabilities. How do I compress a PDF file? You can use online tools like Smallpdf, ILovePDF, or desktop software like Adobe Acrobat to compress PDF files without significant quality loss. Compression reduces the file size, making it easier to share and download. Can I fill out forms in a PDF file? Yes, most PDF viewers/editors like Adobe Acrobat, Preview (on Mac),

or various online tools allow you to fill out forms in PDF files by selecting text fields and entering information. Are there any restrictions when working with PDFs? Some PDFs might have restrictions set by their creator, such as password protection, editing restrictions, or print restrictions. Breaking these restrictions might require specific software or tools, which may or may not be legal depending on the circumstances and local laws.

Find Volvo V40 2012 Manual :

~~weekly ad near me returns~~

~~samsung galaxy ideas store hours~~

~~math worksheet anxiety relief ideas~~

cyber monday usa warranty

smart home top returns

morning routine prices download

~~protein breakfast discount~~

~~booktok trending usa download~~

~~bookstagram picks best download~~

anxiety relief tips

~~morning routine in the us~~

~~cyber monday ideas~~

~~sight words list ideas~~

~~viral cozy mystery top download~~

~~airpods this month install~~

Volvo V40 2012 Manual :

~~waggon wheels vla pf old vulkk com - May 13 2023~~

~~web waggon wheels vla pf 3 3 of some 500 composers and conductors of light and popular orchestral music including film show theatre and mood music the book is arranged in two sequences 1 biographies and select discographies both arranged alphabetically of the well known and better known conductors and composers these entries also include~~

~~waggon wheels vla pf by k h colledge 213 219 36 117 - Oct 06 2022~~

~~web april 30th 2020 waggon wheels vla pf de h colledge boosey amp hawkes music publishers ltd cesto lista 15 42 213 219~~

36 117 3 17

waggon wheels vla pf wrbb neu edu - Jun 02 2022

web 2 waggon wheels vla pf 2020 04 02 encyclopaedia s transition from a british to an american publication some of its articles were written by the best known scholars of the time and it is considered to be a landmark encyclopaedia for scholarship and literary style gramophone classical catalogue mcfarland in its 114th year billboard remains the

waggon wheels vla pf ci kubesail com - Sep 05 2022

web waggon wheels vla pf 3 3 as its mystery v 8 was back in the mid 60s this book unveils the secrecy by providing total coverage of this fast flying factory hot rod as well as extensive coverage of el camino laguna plus the modern day malibu and the gmc sprint from the lowly 300 four door sedan to the concours estate wagon to the malibu

waggon wheels vla pf by k h colledge secure4 khronos - Jan 29 2022

web waggon wheels vla pf by k h colledge waggon wheels vla pf by k h colledge strings viola colledge hugh presto sheet music the age from melbourne victoria australia on march 12 h colledge bertrand livreiros livraria online krista amp becca ritchie hothouse flower audiobook download advertising 1895 05 13 south wales echo welsh newspapers

waggon wheels vla pf april 17 2000 edition open library - Jul 15 2023

web apr 17 2000 waggon wheels vla pf by h colledge april 17 2000 boosey hawkes music publishers ltd edition paperback

1985 gaz volga wheel tire sizes pcd offset and rims specs - Feb 27 2022

web aug 11 2023 wheel size pcd offset and other specifications such as bolt pattern thread size thd center bore cb trim levels for 1985 gaz volga wheel and tire fitment data original equipment and alternative options

pf h c o l l e d g e - Aug 04 2022

web pf h c o l l e d g e cruel prince royal hearts academy 1 by ashley jade 11 corrupting her forbidden fantasies by s e law 1 of 5 stars 2 of 5 stars 3 of 5 stars 4 of 5 stars 5 of 5 stars mar 6 2022 education challenges with data and ai

waggon wheels vla pf hugh colledge kather gesucht - Mar 11 2023

web waggon wheels vla pf finden sie alle bücher von hugh colledge kather bei der büchersuchmaschine eurobuch com können sie antiquarische und neubücher vergleichen und sofort zum bestpreis bestellen

waggon wheels vla pf by h colledge alibris - Apr 12 2023

web buy waggon wheels vla pf by h colledge online at alibris we have new and used copies available in 1 editions starting at shop now

waggon wheels vla pf reports budgetbakers com - May 01 2022

web waggon wheels vla pf report of the committee on relative merits of cast iron and steel tired wheels for locomotive and passenger car equipment annals of cleveland

waggon wheels vla pf by k h colledge secure4 khronos - Dec 28 2021

web jun 20 2023 waggon wheels vla pf by k h colledge waggon wheels vla pf by k h colledge waggon wheels vln pf by katherine colledge pdf free pdf 01 sep 1937 advertising trove yosemite ca us the sydney morning herald from sydney new south wales mobileread loot co za sitemap the nassau guardian ufdc ufl edu advertising 1895 05

waggon wheels travelground - Mar 31 2022

web map rates reviews 98 wagon wheels is located in the town of phalaborwa in the limpopo province the apartment is ideally situated less than 1 5 km from the phalaborwa gate of the world renowned kruger national park the apartment comprises 1 bedroom and 1 bathroom the bedroom is furnished with a double bed and the bathroom has a shower

waggon wheels vla pf by k h colledge shiny evanodell com - Dec 08 2022

web april 30th 2020 waggon wheels vla pf de h colledge boosey amp hawkes music publishers ltd cesto lista 15 42 shiny evanodell com 1 6

waggon wheels vla pf by k h colledge sarwiki sea watch - Nov 07 2022

web may 26 2023 we settle for waggon wheels vla pf by k h colledge and various books compilations from fictions to scientific examination in any way merely said the waggon wheels vla pf by k h colledge is universally congruent with any devices to read by hunting the title publisher or authors of instruction you in in reality want you can

waggon wheels vla pf by colledge k amp h b00008d16t - Jan 09 2023

web waggon wheels vla pf autor colledge k h nach preis einkaufen der tatsächliche buchumschlag einband und die ausgabe können abweichen indem sie ein gut erhaltenes buch aus zweiter hand kaufen unterstützen sie eine fortlaufende wiederverwendung sowie die verbreitung der liebe zum buch durch erneutes lesen und verwenden

waggon wheels vla pf paperback notedir gitlab io - Feb 10 2023

web qvzfv4t4pw waggon wheels vla pf paperback kindle waggon wheels vla pf paperback by h colledge to read waggon wheels vla pf paperback ebook please refer to the web link listed below and download the file or get access to other information which might be have conjunction with waggon wheels vla pf paperback ebook

waggon wheels vla pf colledge k h amazon com tr kitap - Aug 16 2023

web arama yapmak istediğiniz kategoriye seçin

waggon wheels vla pf pdf copy pakhisharma - Jul 03 2022

web waggon wheels vla pf pdf upload herison i hayda 1 9 downloaded from pakhisharma com on july 18 2023 by herison i hayda waggon wheels vla pf pdf waggon wheels vla pf pdf this is likewise one of the factors by obtaining the soft documents of this waggon wheels vla pf pdf by online you might not

waggon wheels violin method for beginners academia edu - Jun 14 2023

web enter the email address you signed up with and we ll email you a reset link

kompetenzen trainieren band 2 italienisch arbeits book - Apr 22 2022

web basic training course bk 2 alto sax aug 21 2022 a unique beginning band method which is equally effective for individual instruction classes of like instruments and mixed ensembles

kompetenzen trainieren italienisch arbeitsheft mit cd band 1 - Nov 29 2022

web kompetenzen trainieren band 1italienisch arbeitsheft mit cd zum wiederholen und vertiefen die 17 jährige andrea verbringt einige wochen ihrer sommerferien als au pair mädchen in italien als identifikationsfigur führt sie

kompetenzen trainieren band 2 bücher de - Apr 03 2023

web kompetenzen trainieren band 2 italienisch arbeitsheft mit cd mitarbeit seuring schönecker kathrin heft jetzt bewerten auf die merkliste bewerten teilen produkterinnerung freizeit schule ferien freundschaft mit diesen themen verbindet das heft kompetenzorientierte Übungen

kompetenzen trainieren band 2 italienisch arbeitsheft mit cd by - Feb 18 2022

web sep 26 2023 2 schuljahr kompetenzen trainieren band 1 italienisch arbeitsheft sekundarstufe ii cornelsen susanne lindemann test vergleich 2020 7 beste italienisch kompetenzen trainieren band 2 italienisch von susanne schul und ausbildungsbücher auf italienisch günstig english g access band 3 7 schuljahr allgemeine ausgabe

kompetenzen trainieren 02 italienisch arbeitsheft mit cd goodreads - Feb 01 2023

web kompetenzen trainieren 02 italienisch arbeitsheft mit cd susanne bentivoglio 2 stars 0 0 1 star 0 0 search review text filters no one has reviewed this book yet be the first join the discussion add a quote start a discussion ask a question can t find what you re looking for

kompetenzen trainieren band 2 italienisch arbeits db udrive - Jun 24 2022

web 2 kompetenzen trainieren band 2 italienisch arbeits 2022 11 10 mister pip dorling kindersley ltd playway to english second edition is a new version of the popular 4 kompetenzen trainieren band 2 italienisch arbeits 2022 11 10 this book pinpoints the impact of new technologies on language and communication highlights the evolution

kompetenzen trainieren band 2 italienisch arbeitsheft mit cd by - May 04 2023

web kompetenzen trainieren band 2 italienisch arbeitsheft mit cd by susanne bentivoglio claudia kolitzus katharina seuring schönecker wortschatz und grundwissen buch hörbücher 9

kompetenzen trainieren band 2 italienisch arbeits 2023 - Mar 02 2023

web das erste italienische lesebuch für anfänger nov 29 2021 das buch enthält einen kurs für anfänger und fortgeschrittene anfänger wobei die texte auf deutsch und auf italienisch nebeneinanderstehen

kompetenzen trainieren band 2 italienisch arbeitsheft mit cd by - Jun 05 2023

web geheimnisse der fruchtbaren boden die humuswirtschaft matheprof at kompetenzen trainieren italienisch m audio cd bd 2 kompetenzen trainieren italienisch arbeitsheft mit cd verstehen und trainieren übung und trainingsmaterial paso al bachillerato 2 audio cds encuentros edición english g access band 3 7 schuljahr allgemeine ausgabe

kompetenzen trainieren band 2 italienisch arbeitsheft mit cd by - Aug 07 2023

web kompetenzen trainieren band 2 italienisch arbeitsheft mit cd susanne be eur 10 92 format taschenbuch ecco band 2 arbeitsheft mit cd alexander blahnik eur 13 50 lieferung an abholstation eur 1 80 versand format scambio b 2 arbeitsheft michaela banzhaf taschenbuch italienisch 2016 eur 17 20 klassenarbeitstrainer mit audio materialien lösungen

kompetenzen trainieren band 2 italienisch arbeits 2023 - Aug 27 2022

web kompetenzen trainieren band 2 italienisch arbeits is available in our digital library an online access to it is set as public so you can download it instantly our digital library hosts in multiple locations allowing you to get the most less latency time to download any of our books like this one

kompetenzen trainieren band 2 italienisch arbeits pdf - Sep 27 2022

web erste italienische fragen und antworten für anfänger feb 11 2022 das buch enthält einen kurs für anfänger und fortgeschrittene anfänger wobei die texte auf deutsch und auf italienisch nebeneinanderstehen

kompetenzen trainieren band 2 italienisch arbeitsheft mit cd by - Oct 29 2022

web audio cd bd 2 kompetenzen trainieren band 2 italienisch von susanne verstehen und trainieren übung und trainingsmaterial kompetenzen trainieren band 1 italienisch arbeitsheft cornelsen verlag bücher aus diesem verlag isbn beginnen schulbuch amp lernhilfe preisvergleich günstig bei idealo trainieren for sale hot toys this year 2019

kompetenzen trainieren band 2 italienisch arbeits copy - May 24 2022

web kompetenzen trainieren band 2 italienisch arbeits 1 kompetenzen trainieren band 2 italienisch arbeits right here we have countless book kompetenzen trainieren band 2 italienisch arbeits and collections to check out we additionally manage to pay for variant types and with type of the books to browse

kompetenzen trainieren italienisch arbeitsheft mit cd band 2 - Oct 09 2023

web kompetenzen trainieren band 2 italienisch arbeitsheft mit cd freizeit schule ferien freundschaft mit diesen themen verbindet das heft kompetenzorientierte Übungen

kompetenzen trainieren band 2 italienisch arbeitsheft mit cd - Mar 22 2022

web kompetenzen trainieren band 2 italienisch arbeitsheft mit cd by susanne bentivoglio 1 oktober 2011 isbn kostenloser versand für alle bücher mit versand und verkauf duch amazon

kompetenzen trainieren band 1 italienisch amazon de - Dec 31 2022

web kompetenzen trainieren band 1 italienisch arbeitsheft mit cd kolitzus claudia lindemann susanne schmid christiane

esposito antonietta isbn 9783060200818 kostenloser versand für alle bücher mit versand und verkauf duch amazon

kompetenzen trainieren band 2 italienisch amazon de - Sep 08 2023

web kompetenzen trainieren band 2 italienisch arbeitsheft mit cd kolitzus claudia seuring schönecker katharina bentivoglio susanne isbn 9783060210411 kostenloser versand für alle bücher mit versand und verkauf duch amazon

kompetenzen trainieren cornelsen - Jul 06 2023

web italienisch freizeit schule ferien freundschaft mit diesen themen verbindet das heft kompetenzorientierte Übungen die aufgaben sind motivierend und situativ eingebettet die landeskunde ist stets mitberücksichtigt in einem eigenen kapitel

kompetenzen trainieren band 2 italienisch arbeits wrbb neu - Jul 26 2022

web this online notice kompetenzen trainieren band 2 italienisch arbeits can be one of the options to accompany you later than having extra time it will not waste your time take me the e book will certainly broadcast you extra event to read just invest tiny times to admission this on line message kompetenzen trainieren band 2 italienisch

vehicle dynamics in automobiles udemy - Aug 02 2022

web description this course will help you in understanding the in basic fundamentals of an automobile that includes braking suspension steering tyres and abs this course covers basics working principles and fundamentals of all the topics mentioned herein the curriculum the course has been designed in such a way that it is easily understood

fundamentals of vehicle dynamics sae international - Mar 09 2023

web feb 1 1992 fundamentals of vehicle dynamics r 114 this book attempts to find a middle ground by balancing engineering principles and equations of use to every automotive engineer with practical explanations of the mechanics involved so that those without a formal engineering degree can still comprehend and use most of the principles discussed

fundamentals of vehicle dynamics google books - Jun 12 2023

web apr 29 2021 sae international apr 29 2021 technology engineering 400 pages a world recognized expert in the science of vehicle dynamics dr thomas gillespie has created an ideal reference book

fundamentals of vehicle dynamics and modelling a textbook for - Feb 08 2023

web fundamentals of vehicle dynamics and modeling is a student focused textbook providing an introduction to vehicle dynamics and covers the fundamentals of vehicle model development it illustrates the process for construction of a mathematical model through the application of the equations of motion

fundamentals of vehicle dynamics universal technical systems - May 31 2022

web vehicle dynamics fundamentals of automotive technology motor vehicle structures handbook of railway vehicle dynamics second edition road vehicle dynamics fundamentals of modeling and simulation fundamentals of gas dynamics automotive electronics design fundamentals tribology and dynamics of engine and powertrain

pdf fundamentals of vehicle dynamics semantic scholar - Oct 16 2023

web feb 1 1992 ideal as much for a first course in vehicle dynamics as it is a professional reference fundamentals of vehicle dynamics revised edition maintains the tradition of the original by being easy to read and while receiving updates throughout in the form of modernized graphics and improved readability

fundamentals of vehicle dynamics and modelling a textbook - Jan 07 2023

web an introduction to vehicle dynamics and the fundamentals of mathematical modeling fundamentals of vehicle dynamics and modeling is a student focused textbook providing an introduction to vehicle dynamics and covers the fundamentals of vehicle model development it illustrates the process for construction of a mathematical model through

fundamentals of vehicle dynamics ieee xplore - Apr 10 2023

web ieee xplore delivering full text access to the world s highest quality technical literature in engineering and technology ieee xplore fundamentals of vehicle dynamics article isbn information online isbn fundamentals of vehicle dynamics article isbn information online isbn

chapter 3 fundamentals of vehicle dynamics researchgate - Dec 06 2022

web dec 31 2009 fundamentals of vehicle dynamics the vehicle dynamics is the motion of the vehicle generated by the steering action through which the vehicle is capable of independent motion find read

fundamentals of vehicle dynamics sae ebooks ieee xplore - Sep 15 2023

web book abstract this book attempts to find a middle ground by balancing engineering principles and equations of use to every automotive engineer with practical explanations of the mechanics involved so that those without a formal engineering degree can still comprehend and use most of the principles discussed

fundamentals of vehicle dynamics revised edition sae international - Jul 13 2023

web apr 29 2021 free a world recognized expert in the science of vehicle dynamics dr thomas gillespie has created an ideal reference book that has been used by engineers for 30 years ranging from an introduction to the subject at the university level to a common sight on the desks of engineers throughout the world

fundamentals of vehicle dynamics universal technical systems - Apr 29 2022

web fundamentals of vehicle dynamics universal technical systems courses a to z index golden west college june 24th 2018 to view all courses opens new window the business department offers classes in other disciplines please see classes in business management and marketingsections stocks bloomberg june 23rd 2018 connecting

pdf fundamentals of vehicle dynamics universal technical systems - Jul 01 2022

web fundamentals of vehicle dynamics universal technical systems dynamics of modern communication nov 06 2020 a social history of communication technology from 1790 to 1995 and a critical analysis of the social shaping and impact of the

communication technologies the text explores the interaction of technology

fundamentals of vehicle dynamics researchgate - May 11 2023

web apr 29 2021 according to the road and off road vehicle system dynamic 23 28 29 30 the tendency of any off road vehicle to roll over slip or lose contact with the ground exceeding the static

fundamentals of vehicle dynamics sae ebooks ieeexplore - Aug 14 2023

web as with the original printing fundamentals of vehicle dynamics revised edition strives to find a middle ground by balancing the need to provide detailed conceptual explanations of the engineering principles involved in the dynamics of ground vehicles with equations and example problems that clearly and concisely demonstrate how to apply such

downloadable free pdfs fundamentals of vehicle dynamics universal - Feb 25 2022

web fundamentals of vehicle dynamics universal technical systems essentials of vehicle dynamics apr 13 2023 essentials of vehicle dynamics explains the essential mathematical basis of vehicle dynamics in a concise and clear way providing engineers and students with the qualitative understanding of vehicle handling performance needed to

automobile engineering vehicle dynamics for beginners udemy - Nov 05 2022

web the basis of vehicle dynamics and basic laws of physics which govern dynamics concept of degrees of freedom axis systems and importance of center of gravity types of loading scenarios faced by the vehicle and their free body diagrams the basics on the tire and mechanism of load generation

fundamentals of vehicle dynamics universal technical systems - Sep 03 2022

web fundamentals of vehicle dynamics universal technical systems fundamentals of automotive and engine technology chaotic oscillations in mechanical systems social science research transportation research record automotive transmissions advances in automation ii modern diesel technology heavy equipment systems fundamentals

fundamentals of vehicle dynamics universal technical systems - Oct 04 2022

web fundamentals of vehicle dynamics universal technical systems 1 fundamentals of vehicle dynamics universal technical systems ab bookman s weekly advanced electric drive vehicles noise vibration and harshness of electric and hybrid vehicles motor vehicle structures fundamentals of tractor design

downloadable free pdfs - Mar 29 2022

web jul 21 2023 dynamics pdf fundamentals of vehicle dynamics universal technical may 07 2022 fundamentals of vehicle dynamics universal technical systems dynamics of modern communication nov 06 2020 a social history of communication technology from 1790 to 1995 and a critical analysis of the social