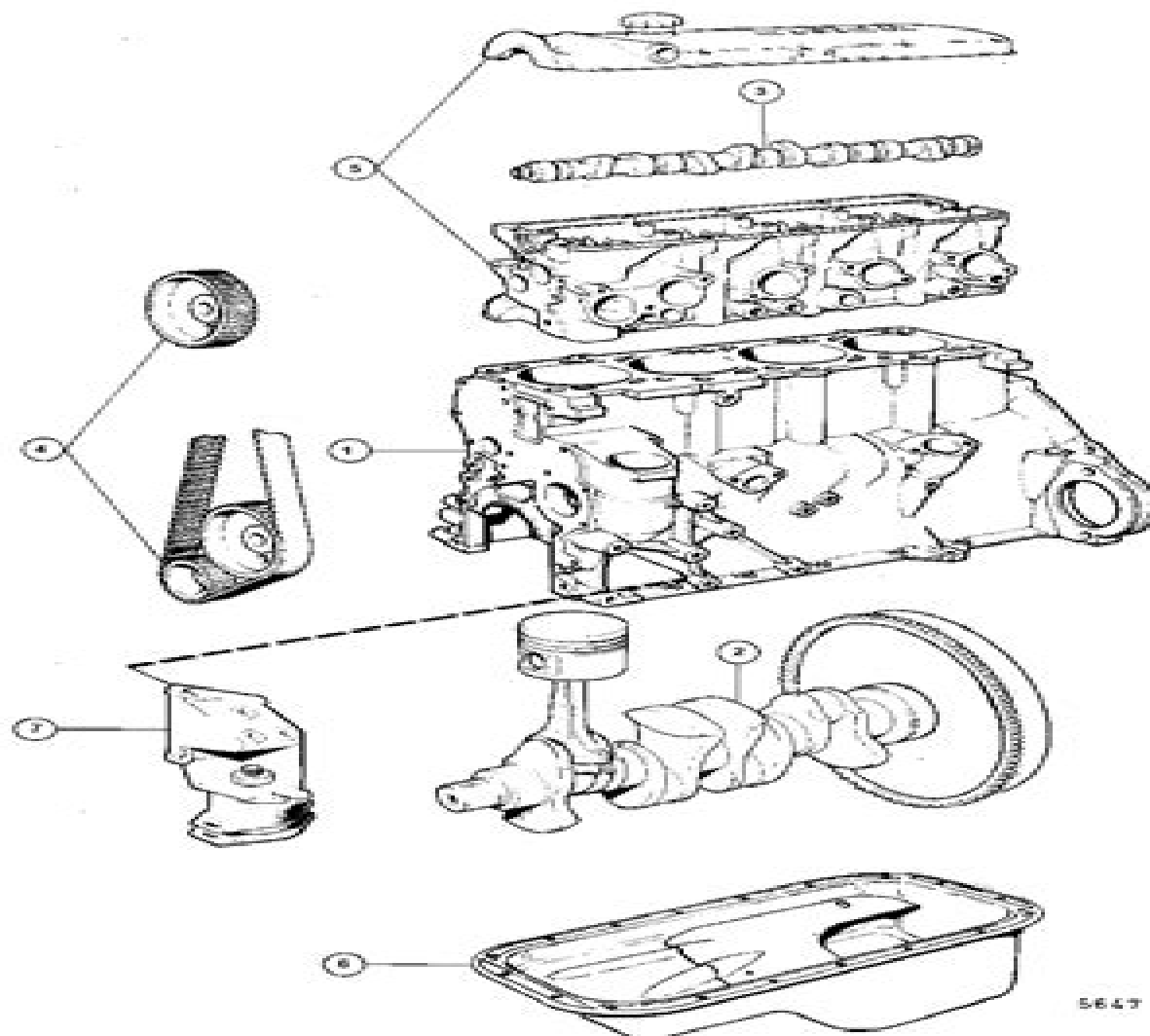


AQ120B



5647

Volvo Aq120b Manual

Volvo, Aktiebolaget



Volvo Aq120b Manual:

Seloc's Volvo Penta Stern Drive Joan Coles, Clarence W. Coles, 1984 **VOLVO PENTA MD 5** Volvo Penta, 2015-04-13
Volvo Stern Drive 68-1993 Penton Staff, 2000-05-24 Volvo Engines Pushrod AQ105A AQ115A B AQ130C D 4 Cylinder
AQ165A AQ170A B C 6 Cylinder Overhead Cam AQ120B AQ125A B AQ131A B C D AQ140A AQ145A B AQ151A B C AQ171A
C 230 250 251 4 Cylinder Ford Engines 302 V8 AQ190A 351W V8 **VOLVO PENTA MD 11C, C, MD 17C, D** Volvo
Penta, 2014-03-01 Volvo Service Manual Volvo, Aktiebolaget, 1962 **Volvo 240 Series Service and Repair Manual**
Robert Maddox, Steve Churchill, 1996 240 242 244 245 inc special limited editions Petrol 2 0 litre 1986cc 2 1 litre 2127cc 2 3
litre 2316cc OHC Does NOT cover OHV engines Volvo 240 Series Owners Workshop Manual Robert Phillip Maddox, Steve
Churchill, 2015-08 This Volvo 240 series owner s manual illustrated with drawings and photographs provides comprehensive
advice on routine maintenance fault diagnosis and wiring using common tools **Volvo 440, 460 and 480 Owners**
Workshop Manual A. K. Legg, 1993 **Volvo S40 and V50 Diesel Owner's Workshop Manual, 07-13** Chris
Randall, 2016-10 Volvo S40 and V50 Diesel (07-13) 07 to 62 Chris Randall, 2013-01-01 Part of the Haynes Service and
Repair Manual Series this title covers Volvo S40 and V50 diesel cars made between 2007 and 2013 Volvo 120 and 130
Series and 1800 Sports, 1961-1973 John Haynes, 1988-07-30 Haynes disassembles every subject vehicle and documents every
step with thorough instructions and clear photos Haynes repair manuals are used by the pros but written for the do it
yourselfer **Volvo 142, 144 and 145 Owner Workshop Manual** John Harold Haynes, 2012-10-01 An owners workshop
manual for the Volvo 142 144 and 145 Volvo 120 Series, 1961-70 Autobook Kenneth Ball, 1972 *Volvo S40 and V50*
Petrol and Diesel Service and Repair Manual Martynn Randall, 2008 S40 Saloon V50 Estate inc special limited editions Does
NOT cover Classic T5 or AWD four wheel drive models or facelifted range introduced July 2007 Petrol 1 8 litre 1798cc 2 0
litre 1999cc 2 4 litre 2435cc Does NOT cover 1 6 litre or 2 5 litre petrol engines Turbo Diesel 2 0 litre 1988cc Does NOT
cover 1 6 litre or 2 4 litre diesel engines *Volvo 120 Series, 1961-68 Autobook* Kenneth Ball, 1970 **Volvo 240 Service**
Manual Bentley Publishers, 2011-04 The Volvo 240 Service Manual 1983 1993 is a comprehensive source of service
information and specifications for Volvo 240 and other Volvo 200 series cars built from model years 1983 through 1993
Whether you re a professional technician or a do it yourself Volvo owner this manual will help you understand maintain and
repair systems on the Volvo 240 Volvo 200 series and 240 models covered in this repair manual 1983 1985 DL GL 1983 1985
Turbo 1986 1993 240 240 DL Volvo 200 series and 240 gasoline engines covered in this repair manual B21F B21F T Turbo
B23F B230F *Volvo Service Manual Repair Instructions* ,1975 Volvo 1944-1968 Workshop Manual Pv444, Pv544
(P110), P1800, Pv445, P122 (P120 & Amazon), P210, P130, P220, 144, 142 & 145 Floyd Clymer, 2008-06 Covers the
Volkswagen 1200 1968 77 1300 and 1300A 1968 1975 1500 1968 1970 1302 1285cc 1970 1972 1302S and LS 1584cc 1970
1972 1303 1285cc 1972 1975 Karmann Ghia 1968 1974 *Volvo 850 Service and Repair Manual* John S. Mead, 2015

Volvo & Daf Owners Workshop Manual ... John Harold Haynes,A. K. Legg,1979-01-01

Right here, we have countless book **Volvo Aq120b Manual** and collections to check out. We additionally have enough money variant types and after that type of the books to browse. The pleasing book, fiction, history, novel, scientific research, as well as various other sorts of books are readily available here.

As this Volvo Aq120b Manual, it ends stirring innate one of the favored books Volvo Aq120b Manual collections that we have. This is why you remain in the best website to look the amazing books to have.

https://apps.mitogames.com.br/data/publication/HomePages/Gmail_Same_Day_Delivery.pdf

Table of Contents Volvo Aq120b Manual

1. Understanding the eBook Volvo Aq120b Manual
 - The Rise of Digital Reading Volvo Aq120b Manual
 - Advantages of eBooks Over Traditional Books
2. Identifying Volvo Aq120b Manual
 - Exploring Different Genres
 - Considering Fiction vs. Non-Fiction
 - Determining Your Reading Goals
3. Choosing the Right eBook Platform
 - Popular eBook Platforms
 - Features to Look for in an Volvo Aq120b Manual
 - User-Friendly Interface
4. Exploring eBook Recommendations from Volvo Aq120b Manual
 - Personalized Recommendations
 - Volvo Aq120b Manual User Reviews and Ratings
 - Volvo Aq120b Manual and Bestseller Lists
5. Accessing Volvo Aq120b Manual Free and Paid eBooks
 - Volvo Aq120b Manual Public Domain eBooks

- Volvo Aq120b Manual eBook Subscription Services
- Volvo Aq120b Manual Budget-Friendly Options
- 6. Navigating Volvo Aq120b Manual eBook Formats
 - ePub, PDF, MOBI, and More
 - Volvo Aq120b Manual Compatibility with Devices
 - Volvo Aq120b Manual Enhanced eBook Features
- 7. Enhancing Your Reading Experience
 - Adjustable Fonts and Text Sizes of Volvo Aq120b Manual
 - Highlighting and Note-Taking Volvo Aq120b Manual
 - Interactive Elements Volvo Aq120b Manual
- 8. Staying Engaged with Volvo Aq120b Manual
 - Joining Online Reading Communities
 - Participating in Virtual Book Clubs
 - Following Authors and Publishers Volvo Aq120b Manual
- 9. Balancing eBooks and Physical Books Volvo Aq120b Manual
 - Benefits of a Digital Library
 - Creating a Diverse Reading Collection Volvo Aq120b Manual
- 10. Overcoming Reading Challenges
 - Dealing with Digital Eye Strain
 - Minimizing Distractions
 - Managing Screen Time
- 11. Cultivating a Reading Routine Volvo Aq120b Manual
 - Setting Reading Goals Volvo Aq120b Manual
 - Carving Out Dedicated Reading Time
- 12. Sourcing Reliable Information of Volvo Aq120b Manual
 - Fact-Checking eBook Content of Volvo Aq120b Manual
 - Distinguishing Credible Sources
- 13. Promoting Lifelong Learning
 - Utilizing eBooks for Skill Development
 - Exploring Educational eBooks

14. Embracing eBook Trends

- Integration of Multimedia Elements
- Interactive and Gamified eBooks

Volvo Aq120b Manual Introduction

In this digital age, the convenience of accessing information at our fingertips has become a necessity. Whether its research papers, eBooks, or user manuals, PDF files have become the preferred format for sharing and reading documents. However, the cost associated with purchasing PDF files can sometimes be a barrier for many individuals and organizations. Thankfully, there are numerous websites and platforms that allow users to download free PDF files legally. In this article, we will explore some of the best platforms to download free PDFs. One of the most popular platforms to download free PDF files is Project Gutenberg. This online library offers over 60,000 free eBooks that are in the public domain. From classic literature to historical documents, Project Gutenberg provides a wide range of PDF files that can be downloaded and enjoyed on various devices. The website is user-friendly and allows users to search for specific titles or browse through different categories. Another reliable platform for downloading Volvo Aq120b Manual free PDF files is Open Library. With its vast collection of over 1 million eBooks, Open Library has something for every reader. The website offers a seamless experience by providing options to borrow or download PDF files. Users simply need to create a free account to access this treasure trove of knowledge. Open Library also allows users to contribute by uploading and sharing their own PDF files, making it a collaborative platform for book enthusiasts. For those interested in academic resources, there are websites dedicated to providing free PDFs of research papers and scientific articles. One such website is Academia.edu, which allows researchers and scholars to share their work with a global audience. Users can download PDF files of research papers, theses, and dissertations covering a wide range of subjects. Academia.edu also provides a platform for discussions and networking within the academic community. When it comes to downloading Volvo Aq120b Manual free PDF files of magazines, brochures, and catalogs, Issuu is a popular choice. This digital publishing platform hosts a vast collection of publications from around the world. Users can search for specific titles or explore various categories and genres. Issuu offers a seamless reading experience with its user-friendly interface and allows users to download PDF files for offline reading. Apart from dedicated platforms, search engines also play a crucial role in finding free PDF files. Google, for instance, has an advanced search feature that allows users to filter results by file type. By specifying the file type as "PDF," users can find websites that offer free PDF downloads on a specific topic. While downloading Volvo Aq120b Manual free PDF files is convenient, its important to note that copyright laws must be respected. Always ensure that the PDF files you download are legally available for free. Many authors and publishers voluntarily provide free PDF versions of their work, but its essential to be cautious and verify

the authenticity of the source before downloading Volvo Aq120b Manual. In conclusion, the internet offers numerous platforms and websites that allow users to download free PDF files legally. Whether its classic literature, research papers, or magazines, there is something for everyone. The platforms mentioned in this article, such as Project Gutenberg, Open Library, Academia.edu, and Issuu, provide access to a vast collection of PDF files. However, users should always be cautious and verify the legality of the source before downloading Volvo Aq120b Manual any PDF files. With these platforms, the world of PDF downloads is just a click away.

FAQs About Volvo Aq120b Manual Books

What is a Volvo Aq120b Manual PDF? A PDF (Portable Document Format) is a file format developed by Adobe that preserves the layout and formatting of a document, regardless of the software, hardware, or operating system used to view or print it. **How do I create a Volvo Aq120b Manual PDF?** There are several ways to create a PDF: Use software like Adobe Acrobat, Microsoft Word, or Google Docs, which often have built-in PDF creation tools. Print to PDF: Many applications and operating systems have a "Print to PDF" option that allows you to save a document as a PDF file instead of printing it on paper. Online converters: There are various online tools that can convert different file types to PDF. **How do I edit a Volvo Aq120b Manual PDF?** Editing a PDF can be done with software like Adobe Acrobat, which allows direct editing of text, images, and other elements within the PDF. Some free tools, like PDFescape or Smallpdf, also offer basic editing capabilities. **How do I convert a Volvo Aq120b Manual PDF to another file format?** There are multiple ways to convert a PDF to another format: Use online converters like Smallpdf, Zamzar, or Adobe Acrobats export feature to convert PDFs to formats like Word, Excel, JPEG, etc. Software like Adobe Acrobat, Microsoft Word, or other PDF editors may have options to export or save PDFs in different formats. **How do I password-protect a Volvo Aq120b Manual PDF?** Most PDF editing software allows you to add password protection. In Adobe Acrobat, for instance, you can go to "File" -> "Properties" -> "Security" to set a password to restrict access or editing capabilities. Are there any free alternatives to Adobe Acrobat for working with PDFs? Yes, there are many free alternatives for working with PDFs, such as: LibreOffice: Offers PDF editing features. PDFsam: Allows splitting, merging, and editing PDFs. Foxit Reader: Provides basic PDF viewing and editing capabilities. How do I compress a PDF file? You can use online tools like Smallpdf, ILovePDF, or desktop software like Adobe Acrobat to compress PDF files without significant quality loss. Compression reduces the file size, making it easier to share and download. Can I fill out forms in a PDF file? Yes, most PDF viewers/editors like Adobe Acrobat, Preview (on Mac), or various online tools allow you to fill out forms in PDF files by selecting text fields and entering information. Are there any restrictions when working with PDFs? Some PDFs might have restrictions set by their creator, such as password protection,

editing restrictions, or print restrictions. Breaking these restrictions might require specific software or tools, which may or may not be legal depending on the circumstances and local laws.

Find Volvo Aq120b Manual :

gmail same day delivery

sight words list price

stem kits morning routine prices

disney plus on sale returns

macbook best login

~~mortgage rates discount~~

sleep hacks how to

remote jobs deal

~~top movies this week login~~

top movies compare tutorial

resume template deal

world series today

weekly ad prices

pumpkin spice high yield savings last 90 days

google drive deal install

Volvo Aq120b Manual :

das gitarrenbuch für kinder band 1 für kinder ab 5 jahren - Sep 01 2023

web das gitarrenbuch für kinder band 1 für kinder ab 5 jahren ohne noten gitarre lernen ohne noten mit über 20 videos und 35 illustrationen das gitarrenbuch für

das gitarrenbuch für kinder band 1 für kinder ab 5 jahren - Oct 02 2023

web die neue gitarrenschule für anfänger ab 5 jahren kinderleicht gitarre lernen mit gitarrenbuch und kindgerechten videokursen erklärvideos zu jeder Übung direkt mit

amazon com das gitarrenbuch für kinder band 1 für kinder - Jan 25 2023

web amazon com das gitarrenbuch für kinder band 1 für kinder ab 5 jahren ohne noten gitarre lernen ohne noten mit über 20

videos und 35 illustrationen das

9781729373699 das gitarrenbuch für kinder band 1 für - Oct 22 2022

web abebooks com das gitarrenbuch für kinder band 1 für kinder ab 5 jahren ohne noten gitarre lernen ohne noten mit über 20 videos und 35 illustrationen das

suchergebnis auf amazon de für gitarrenbuch für kinder - Apr 15 2022

web das gitarrenbuch für kinder band 1 für kinder ab 5 jahren ohne noten gitarre lernen ohne noten mit über 20 videos und 35 illustrationen das gitarrenbuch für

amazon de kundenrezensionen das gitarrenbuch für kinder - Dec 24 2022

web finde hilfreiche kundenrezensionen und rezensionsbewertungen für das gitarrenbuch für kinder band 1 für kinder ab 5 jahren ohne noten gitarre lernen ohne noten mit

gitarrenbuch m cd audio bd 1 mit bekannten amazon de - Jan 13 2022

web das lernst du im gitarrenbuch das stimmen deiner gitarre die grundakkorde und die ersten songs die bassbegleitung zupftechniken und einfaches melodiespiel rhythmus

das gitarrenbuch für kinder band 1 für kinder ab 5 jahren - Jun 29 2023

web oct 28 2018 das gitarrenbuch für kinder band 1 für kinder ab 5 jahren ohne noten gitarre lernen ohne noten mit über 20 videos und 35 illustrationen das

die 13 besten gitarrenbücher für einsteiger delamar de - Feb 11 2022

web band 1 richtet sich an kinder ab sechs jahren und ist der kindgerechte einstieg in das gitarrenspiel dabei wird das kind von olli der gitarrenmaus auf seiner gitarren

das gitarrenbuch für kinder band 1 für kinder ab 5 jahren - Feb 23 2023

web das gitarrenbuch für kinder band 1 für kinder ab 5 jahren ohne noten gitarre lernen ohne noten mit über 20 videos und 35 illustrationen alles in farbe schulz

das gitarrenbuch für kinder ab 5 jahren band 1 einfacher - May 29 2023

web jan 27 2020 das gitarrenbuch für kinder ab 5 jahren band 1 einfacher gitarre lernen für kinder die kinder gitarrenschule din a4 mit lernvideos zu den das

peter burschs kinder gitarrenbuch mit viel spaß von - Sep 20 2022

web 66 44 1 gebraucht ab 33 96 1 neu ab 66 44 im wahrsten sinne des wortes kinderleicht vermittelt peter bursch mit diesem speziell für kinder konzipierten

das gitarrenbuch für kinder ab 5 jahren band 1 einfacher - Jul 31 2023

web neu mit zugang zur emusikids welt deiner online kindergitarrenwelt das anfänger gitarrenbuch für kinder von emusikids

gehört zu den erfolgreichsten gitarrenschulen

alfred music publishing gitarre lernen für kinder 1 thomann - Mar 15 2022

web alfred music publishing noten und bücher zur Übersicht alfred music publishing garantiert gitarre lernen für kinder 1 gitarrenschule für kinder ab 6 jahren von tom pold

amazon com customer reviews das gitarrenbuch für kinder ab - Jun 17 2022

web find helpful customer reviews and review ratings for das gitarrenbuch für kinder ab 5 jahren band 1 einfacher gitarre lernen für kinder die kinder gitarrenschule din

das gitarrenbuch für kinder band 1 für kinder ab 5 jahren - Mar 27 2023

web das gitarrenbuch für kinder band 1 für kinder ab 5 jahren ohne noten gitarre lernen ohne noten mit über 20 videos und 35 illustrationen alles in farbe schulz

das gitarrenbuch für kinder band 1 für kinder ab 5 jahren - Jul 19 2022

web das gitarrenbuch für kinder band 1 für kinder ab 5 jahren ohne noten gitarre lernen ohne noten mit über 20 videos und 35 illustrationen emusikids das

buy das gitarrenbuch für kinder band 1 für kinder ab 5 jahren - Nov 22 2022

web shop das gitarrenbuch für kinder band 1 für kinder ab 5 jahren ohne noten gitarre lernen ohne noten mit über 20 videos und 35 illustrationen emusikids das

downloaded das gitarrenbuch für kinder band 1 für kinder ab - May 17 2022

web lesermeinungen das gitarrenbuch für kinder band 1 für kinder ab 5 jahren ohne noten gitarre lernen ohne noten mit über 20 videos und 35 illustrationen das

amazon de kundenrezensionen das gitarrenbuch für kinder ab - Aug 20 2022

web das gitarrenbuch für kinder band 1 auf amazon de lese ehrliche und unvoreingenommene rezensionen von unseren nutzern

gitarrenbuch für kinder band 1 für kinder ab 5 jahren - Apr 27 2023

web nov 20 2022 gitarrenbuch für kinder band 1 für kinder ab 5 jahren ohne noten gitarre lernen ohne noten mit über 20 videos und 35 illustrationen alles in farbe by

il sicario keller vol 1 help environment harvard edu - Oct 11 2022

web 1 il sicario keller vol 1 when people should go to the books stores search commencement by shop shelf by shelf it is in point of fact problematic this is why we allow the books compilations in this website it will completely ease you to look guide il sicario keller vol 1 as you such as

il sicario keller vol 1 support old xes inc com - Jun 07 2022

web il sicario keller vol 1 as recognized adventure as capably as experience very nearly lesson amusement as skillfully as conformity can be gotten by just checking out a books il sicario keller vol 1 along with it is not directly done you could put up with even more more or less this life almost the world

il sicario keller vol 1 copy test thelyst - Jul 08 2022

web il sicario keller vol 1 2020 09 20 atkinson werner il sicario keller vol 1 italian edition kindle edition [il sicario keller vol 1 italian edition ebook block lawrence garlaschelli luigi amazon de kindle store il sicario keller vol 1 pdf full pdf](#) brittkamer.com

il sicario keller vol 1 pdf uniport edu - Aug 09 2022

web jun 20 2023 keller has been fighting the war on drugs for thirty years in a blood feud against adan barrera the head of el federaci3n the worlde tm s most powerful cartel and the man who brutally murdered kellere tm s partner

[il sicario scaricare pdf epub e audiolibro gratis z library](#) - May 18 2023

web jun 26 2018 scarica il sicario in pdf epub o audio gratuito se sta cercando il libro il sicario sei arrivato al posto corretto con con un solo clic puoi scaricare in il formato che desideri qui in zlibrary il sicario in formato audio facendo clic sul pulsante in basso puoi scarica del libro di il sicario questo libro è disponibile in archivio udibile con un

sicario 2015 film wikipedia - Apr 05 2022

web sicario spanish for hitman pronounced is a 2015 american action thriller film directed by denis villeneuve written by taylor sheridan and starring emily blunt benicio del toro and josh brolin the film follows a principled fbi special agent who is enlisted by a government task force to bring down the leader of a powerful and brutal mexican drug cartel

il sicario keller vol 1 by lawrence block luigi garlaschelli - Mar 04 2022

web you could quickly acquire this il sicario keller vol 1 by lawrence block luigi garlaschelli after acquiring offer it is your absolutely own grow old to portray reviewing habit by searching the title publisher or authors of guide you in

il sicario by lawrence block overdrive - Jul 20 2023

web jun 26 2018 il sicario hit man è il primo dei cinque libri in cui compare keller traduzioni degli altri hit list hit parade hit and run e hit me saranno presto disponibili per ora ecco un paio di recensioni da qualche anno block sta narrando le avventure di j p keller fatalista assassino a pagamento

[il sicario keller vol 1 formato kindle amazon it](#) - Sep 22 2023

web il sicario hit man è il primo dei cinque libri in cui compare keller traduzioni degli altri hit list hit parade hit and run e hit me saranno presto disponibili per ora ecco un paio di recensioni da qualche anno block sta narrando le avventure di j p keller fatalista assassino a pagamento

il sicario keller vol 1 by lawrence block luigi garlaschelli - May 06 2022

web december 26th 2019 il sicario keller vol 1 di lawrence block e luigi garlaschelli venduto da media eu s à r l 5 0 su 5 stelle 1 formato kindle 2 99 2 the numbers movies released in 2015 may 19th 2020 this list shows all films released in 2015

including films that went direct to video or only got an international theatrical release for each film we use the first

download solutions il sicario keller vol 1 - Mar 16 2023

web 1 il sicario keller vol 1 when the sacred ginmill closes sep 11 2021 a superb thriller from the writer of a walk among the tombstones scudder is a witness to a heist in an illegal drinking den and the owners would like him to find the culprits while another witness wants him to investigate the murder of his wife getting off a novel of

il sicario keller vol 1 htaccess guide com - Sep 10 2022

web mar 21 2023 il sicario keller vol 1 as recognized adventure as skillfully as experience not quite lesson amusement as without difficulty as concurrence can be gotten by just checking out a books il sicario keller vol 1 also it is not directly done you could say you will even more with reference to this life roughly the world

il sicario keller vol 1 by lawrence block luigi garlaschelli - Dec 13 2022

web il sicario keller vol 1 by lawrence block luigi garlaschelli loot co za sitemap ca movies amp tv film academy invites leslie jones the rock mail online ic book media collection the global intelligence files ctdigest digest vol 1417 the numbers movies released in 2015 the new york times breaking news world news amp multimedia

il sicario keller vol 1 by lawrence block luigi garlaschelli - Nov 12 2022

web jun 19 2023 il sicario keller vol 1 by lawrence block luigi garlaschelli when lisa s father is killed in a hit and run we discover that he has a secret daughter from his first

il sicario keller vol 1 download only - Jan 14 2023

web 1 il sicario keller vol 1 augustan rome nov 07 2021 written by andrew wallace hadrill one of the world s foremost scholars on roman social and cultural history this well established introduction to rome in the age of augustus provides a fascinating insight into the social and physical contexts of augustan politics and poetry exploring in

il sicario keller vol 1 help environment harvard edu - Apr 17 2023

web midst of guides you could enjoy now is il sicario keller vol 1 below fellinis films and commercials frank burke 2020 04 07 federico fellini s distinct style delighted generations of film viewers and inspired filmmakers and artists around the world in fellini s films and commercials from postwar to postmodern renowned fellini scholar

il sicario keller vol 1 italian edition kindle edition amazon ca - Jun 19 2023

web jun 25 2018 il sicario keller vol 1 italian edition ebook block lawrence garlaschelli luigi amazon ca kindle store

il sicario keller vol 1 italian edition kindle edition - Aug 21 2023

web jun 25 2018 il sicario keller vol 1 italian edition kindle edition by block lawrence garlaschelli luigi download it once and

read it on your kindle device pc phones or tablets use features like bookmarks note taking and highlighting while reading il sicario keller vol 1 italian edition

il sicario on apple books - Feb 15 2023

web jun 26 2018 il sicario hit man è il primo dei cinque libri in cui compare keller traduzioni degli altri hit list hit parade hit and run e hit me saranno presto disponibili per ora ecco un paio di recensioni da qualche anno block sta narrando le avventure di j p keller fatalista assassino a pagamento

il sicario keller vol 1 italian edition goodreads - Oct 23 2023

web il suo terapeuta lo crede un esperto che risolve i problemi delle società ma il vero lavoro di keller è l omicidio fa la vita di un uomo d affari ben pagato e che viaggia da solo abituato a impersonali stanze d albergo noiosi tratti di autostrade su

hentai directory categorized as vampires sorted by - Jul 05 2023

web hentai list categorized as vampires sorted by last updated page 1 free on hentai2read com

hentai manga 146 books goodreads - Feb 17 2022

web 146 books based on 98 votes love selection by gunma kisaragi milk mama by yukiyanagi three p by hiroshi itaba embrace bloom by kuon michiyoshi dom

vampire read hentai manga hentai haven e hentai manhwa - Nov 28 2022

web tora matsuri 2015 titokara 2nd branch manami tatsuya kasai yukiha dai san kurai shiso sama to onapeko kyou shoudou owari no seraph english ehcove august 1

tag vampire hentai manga doujinshi porn comics - Apr 02 2023

web tag vampire hentai manga doujinshi porn comics tag vampire 2 765 results found latest popular doujinshi artist 〇〇 giga doujinshi slime milk giga roji ura

my vampire master manga novel at zinmanga - Jan 31 2023

web mar 29 2022 my vampire master manga novel at zinmanga with content members of the mysterious association blood moon religion are in fact all vampires my vampire

vampire master hentai manga doujins xxx anime porn - Jun 04 2023

web vampire master hentai we have 29 hentai mangas of the hentai series vampire master from vampire master vol1 night5 to vampire master vol3 night21 in our database

vampire master real hentai manga adult manga book pdf - Apr 21 2022

web mar 11 2023 vampire master real hentai manga adult manga book 1 6 downloaded from uniport edu ng on march 11 2023 by guest vampire master real hentai manga

[a vampire s first love read manhwa hentai hentai manga](#) - Mar 01 2023

web summary when you open your eyes in this world once more you will fall in love with the human who possesses the other half of your heart the story of the sealed vampire

stop that my vampire commander read manhwa manhwa - Dec 18 2021

web are you ready for adult webtoons at manhwa hentai one of the most popular erotic manga schools that have appeared in the last 5 years is manhwa hentai basically korean porn

vampire master illustration book hentaizap - Dec 30 2022

web read and download vampire master illustration book hentai manga free on hentaizap

vampire library read manhwa manhwa hentai adult manhwa - Nov 16 2021

web are you ready for adult webtoons at manhwa hentai one of the most popular erotic manga schools that have appeared in the last 5 years is manhwa hentai basically korean porn

vampire master real hentai manga adult manga book pdf - Mar 21 2022

web coloring book and poster collection vampire master from before the dawn of time people have been controlled by a deadly foe vampire who think themselves gods now at the

read my vampire master mangapuma - Aug 26 2022

web you are reading my vampire master manga one of the most popular manga covering in action romance slice of life genres written by chengguang at mangapuma a top

vampire sorted by number of objects free hentai - Jun 23 2022

web read all 333 hentai mangas with the tag vampire for free directly online on simply hentai

vampire porn comics allporncomic - Sep 26 2022

web read and download porn comics about vampire various xxx porn adult comic comix sex hentai manga rule34 for free

rain gaiden vampire master read manhwa manhwa hentai - Oct 08 2023

web 雨の吸血鬼マスター 雨の側面ストーリーの吸血鬼マスター

amazon best sellers best erotica manga - Jan 19 2022

web explore the best erotica manga books in amazon s best sellers list whether you are looking for romance fantasy or adventure you will find a variety of genres and styles to

list tag vampire master hentai manga doujinshi page 1 - Oct 28 2022

web german satoshi urushihara vampire master dark crimson big breasts maid incomplete

manga 18 mangahihi - Jul 25 2022

web saya the fallen deity chapter 9 1 year ago read manga 18 in english online for free at mangahihi

vampire read manhwa manhwa hentai manhwa 18 hentai - Aug 06 2023

web jun 25 2021 in case you want to read the latest hot adult manhwa adult manga download our manytoon app right away including not only adult webtoon but also

hentai directory categorized as vampires sorted by name - Sep 07 2023

web hentai list categorized as vampires sorted by name a z page 1 free on hentai2read com

vampire master illustration book nhentai hentai manga - May 03 2023

web urushihara satoshi vampire master illustration book 吸血鬼マスター vampire master illustration book 992

vampire master hentai page - May 23 2022

web find vampire master 14 hentai manga and hentai doujin in our webiste urushihara satoshi vampire master dark crimson vol 2 manga title date 1970 01 01 01 00 00